

SCREW COVER WIRING TROUGH, NEMA TYPE 4X

INDUSTRY STANDARDS

UL 870, 50E Listed; Type 3R, 4, 4X, 12; File No. E27524; cUL Listed per CSA C22.2 No. 26 & No. 94.2; Type 3R, 4, 4X, 12

IEC 60529, IP66

APPLICATION

This wiring trough meets basic functionality requirements for applications in which frequent access is not needed. Provides protection for use in corrosive or dirty indoor and outdoor environments.

FEATURES

- Seams continuously welded and ground smooth
- Oil-resistant gasket and adhesive
- Captivated stainless steel cover screw threaded into sealed walls
- No holes or knockouts

SPECIFICATIONS

- Type 304 stainless steel covers and bodies
- 12 to 16 gauge stainless steel

FINISH

No. 2B finish

ACCESSORIES

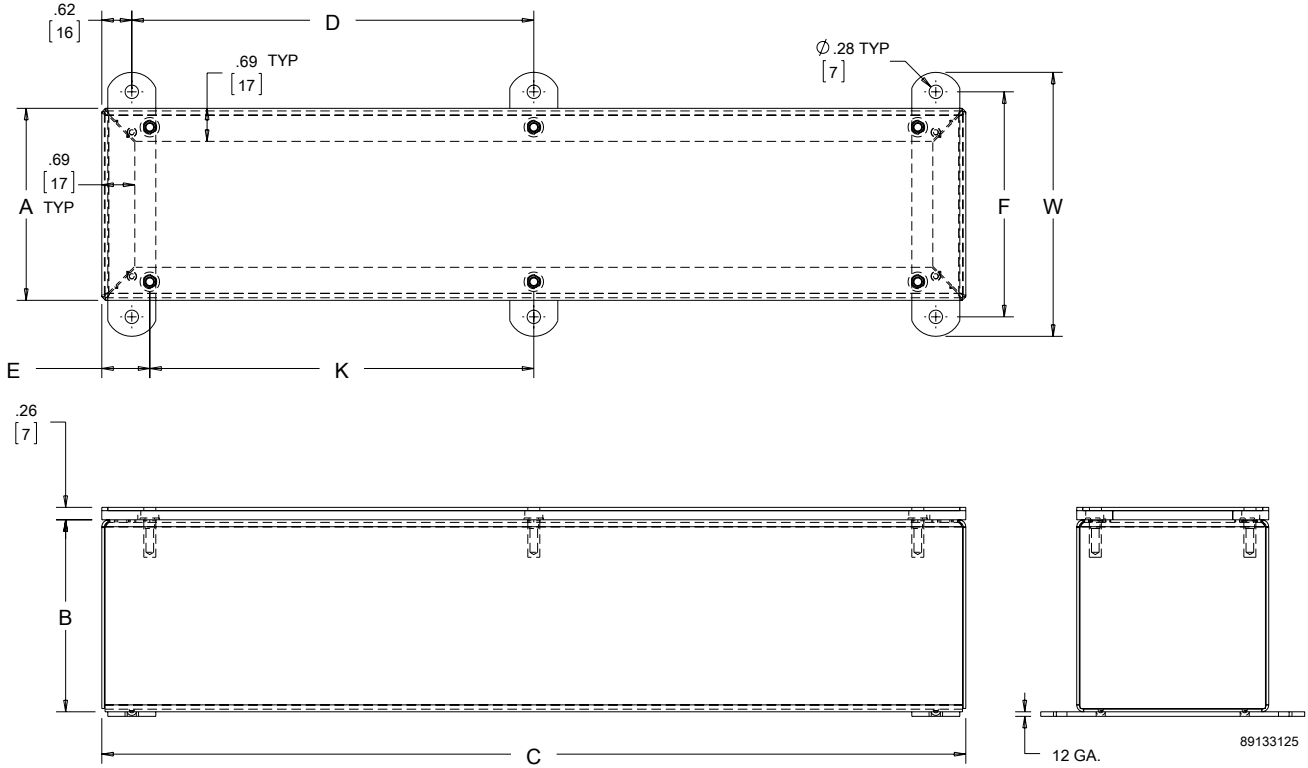
Handle - STSCHDL

BULLETIN: F24

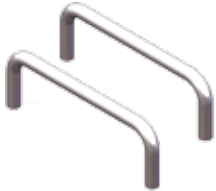
Standard Product

Catalog Number	AxBxC in./mm	No. of Cover Screws	Cover Gauge	Body Gauge	D in./mm	E in./mm	F in./mm	K in./mm	W in./mm
F4412SCSS	4.00 x 4.00 x 12.00	4	12	16	10.75	.38	4.69	11.25	5.50
	102 x 102 x 305				273	10	119	286	140
F4418SCSS	4.00 x 4.00 x 18.00	6	14	16	16.75	1.00	4.69	8.00	5.50
	102 x 102 x 457				425	25	119	203	140
F4424SCSS	4.00 x 4.00 x 24.00	6	12	16	22.75	.75	4.69	11.25	5.50
	102 x 102 x 610				578	19	119	286	140
F6612SCSS	6.00 x 6.00 x 12.00	4	12	16	10.75	.38	6.69	11.25	7.50
	153 x 153 x 305				273	10	170	286	191
F6624SCSS	6.00 x 6.00 x 24.00	6	12	16	22.75	.75	6.69	11.25	7.50
	153 x 153 x 610				578	19	170	286	191
F6636SCSS	6.00 x 6.00 x 36.00	8	14	16	34.75	1.12	6.69	11.25	7.50
	153 x 153 x 915				823	29	170	286	191
F6648SCSS	6.00 x 6.00 x 48.00	10	14	16	46.75	1.50	6.69	11.25	7.50
	153 x 153 x 1220				1187	38	170	286	191
F8824SCSS	8.00 x 8.00 x 24.00	6	12	14	22.75	.75	8.69	11.25	9.50
	204 x 204 x 610				578	19	221	286	241
F8836SCSS	8.00 x 8.00 x 36.00	8	14	14	34.75	1.12	8.69	11.25	9.50
	204 x 204 x 915				823	29	221	286	241
F8848SCSS	8.00 x 8.00 x 48.00	10	14	14	46.75	1.50	8.69	11.25	9.50
	204 x 204 x 1220				1187	38	221	286	241
F121224SCSS	12.00 x 12.00 x 24.00	6	12	14	22.75	.75	12.69	11.25	13.50
	305 x 305 x 610				578	19	322	286	343
F121236SCSS	12.00 x 12.00 x 36.00	8	14	14	34.75	1.12	12.69	11.25	13.50
	305 x 305 x 915				823	29	322	286	343
F121248SCSS	12.00 x 12.00 x 48.00	10	14	14	46.75	1.50	12.69	11.25	13.50
	305 x 305 x 1220				1187	38	322	286	343
F121260SCSS	12.00 x 12.00 x 60.00	12	12	14	29.38	1.88	12.69	11.25	13.50
	305 x 305 x 1524				746	48	322	286	343
F121272SCSS	12.00 x 12.00 x 72.00	14	12	14	35.38	1.88	12.69	11.25	13.50
	305 x 305 x 1829				899	48	322	286	343

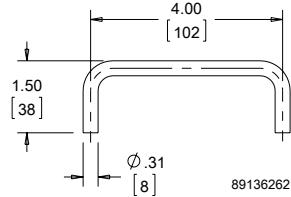
Omit center mounting foot if C is less than 60 in. (1524 mm).



HANDLE KIT



Handles are stainless steel for mounting on enclosure sides. Kit includes two handles and all mounting hardware.
BULLETIN: F24



Standard Product

Catalog Number	Description
STSCHDL	Stainless steel handles