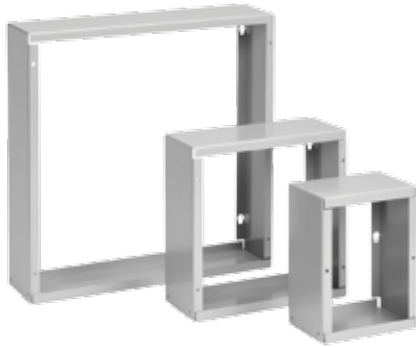


SCREW-COVER PULL BOX EXTENDER, TYPE 1

INDUSTRY STANDARDS

| |
|---|
| UL 50, 50E Listed; Type 1; File No. E27525 cUL Listed per CSA C22.2 No 40; Type 1; File No. E27525 |
|---|

NEMA /EEMAC Type 1
IEC 60529, IP30

APPLICATION

The Pull Box Extender, or “Step-Up”, product is designed for commercial and general industrial applications that previously required a custom-sized pull box, or to create additional wiring space for existing pull box installations.

FEATURES

- Unique keyhole screw slots for easy installation
- Plated steel screws included to mount to pull box
- Compatible with Type 1 Pull Box accessories
- Maintains grounding between main enclosure and extender

SPECIFICATIONS

- 16 gauge mild steel or galvanized steel

FINISH

ANSI 61 gray polyester powder paint finish inside and out, or unpainted galvanized material.

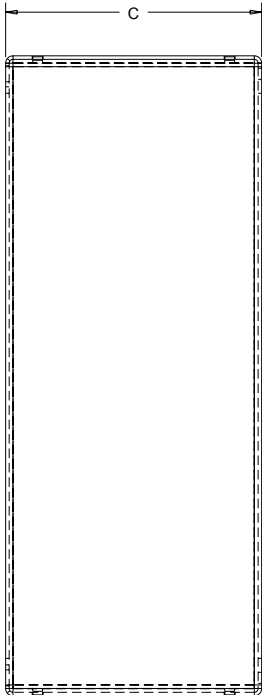
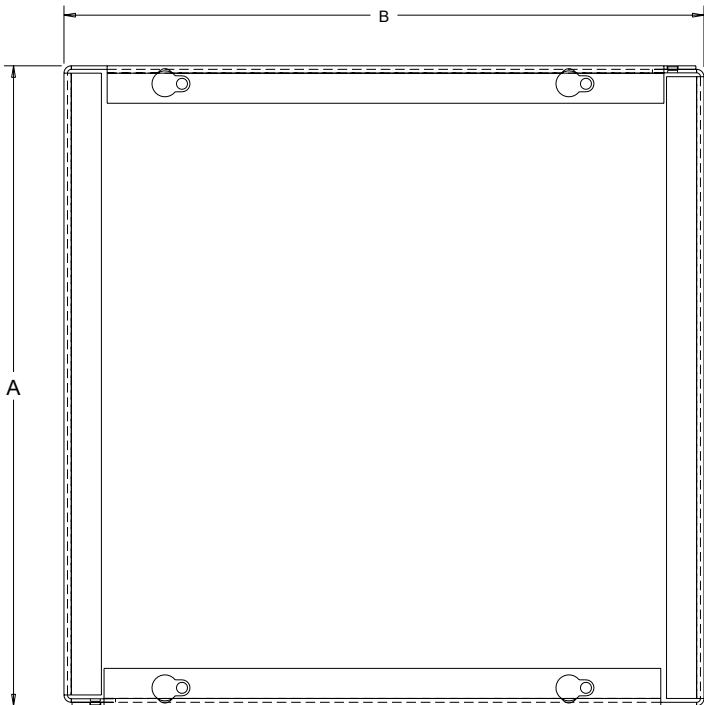
ACCESSORIES

Flush Covers
 Flush-Mount Door Frames
 Grounding Device
 Type 1 Locking Window Pull Box Accessory
 Touch-Up Paint

BULLETIN: A90P1

Standard Product

| Catalog Number | AxBxC in. | AxBxC mm | Style |
|----------------|----------------------|-----------------|------------|
| A664SU | 6.00 x 6.00 x 4.00 | 152 x 152 x 102 | Painted |
| A664SUG | 6.00 x 6.00 x 4.00 | 152 x 152 x 102 | Galvanized |
| A864SU | 8.00 x 6.00 x 4.00 | 203 x 152 x 102 | Painted |
| A864SUG | 8.00 x 6.00 x 4.00 | 203 x 152 x 102 | Galvanized |
| A884SU | 8.00 x 8.00 x 4.00 | 203 x 203 x 102 | Painted |
| A884SUG | 8.00 x 8.00 x 4.00 | 203 x 203 x 102 | Galvanized |
| A1084SU | 10.00 x 8.00 x 4.00 | 254 x 203 x 102 | Painted |
| A1084SUG | 10.00 x 8.00 x 4.00 | 254 x 203 x 102 | Galvanized |
| A10104SU | 10.00 x 10.00 x 4.00 | 254 x 254 x 102 | Painted |
| A10104SUG | 10.00 x 10.00 x 4.00 | 254 x 254 x 102 | Galvanized |
| A1264SU | 12.00 x 6.00 x 4.00 | 305 x 152 x 102 | Painted |
| A1264SUG | 12.00 x 6.00 x 4.00 | 305 x 152 x 102 | Galvanized |
| A1284SU | 12.00 x 8.00 x 4.00 | 305 x 203 x 102 | Painted |
| A1284SUG | 12.00 x 8.00 x 4.00 | 305 x 203 x 102 | Galvanized |
| A12104SU | 12.00 x 10.00 x 4.00 | 305 x 254 x 102 | Painted |
| A12104SUG | 12.00 x 10.00 x 4.00 | 305 x 254 x 102 | Galvanized |
| A12124SU | 12.00 x 12.00 x 4.00 | 305 x 305 x 102 | Painted |
| A12124SUG | 12.00 x 12.00 x 4.00 | 305 x 305 x 102 | Galvanized |
| A16124SU | 16.00 x 12.00 x 4.00 | 406 x 305 x 102 | Painted |
| A16124SUG | 16.00 x 12.00 x 4.00 | 406 x 305 x 102 | Galvanized |
| A16164SU | 16.00 x 16.00 x 4.00 | 406 x 406 x 102 | Painted |
| A16164SUG | 16.00 x 16.00 x 4.00 | 406 x 406 x 102 | Galvanized |
| A18124SU | 18.00 x 12.00 x 4.00 | 457 x 305 x 102 | Painted |
| A18124SUG | 18.00 x 12.00 x 4.00 | 457 x 305 x 102 | Galvanized |
| A18184SU | 18.00 x 18.00 x 4.00 | 457 x 457 x 102 | Painted |
| A18184SUG | 18.00 x 18.00 x 4.00 | 457 x 457 x 102 | Galvanized |
| A24124SU | 24.00 x 12.00 x 4.00 | 610 x 305 x 102 | Painted |
| A24124SUG | 24.00 x 12.00 x 4.00 | 610 x 305 x 102 | Galvanized |
| A24184SU | 24.00 x 18.00 x 4.00 | 610 x 457 x 102 | Painted |
| A24184SUG | 24.00 x 18.00 x 4.00 | 610 x 457 x 102 | Galvanized |
| A24244SU | 24.00 x 24.00 x 4.00 | 610 x 610 x 102 | Painted |
| A24244SUG | 24.00 x 24.00 x 4.00 | 610 x 610 x 102 | Galvanized |
| A30244SU | 30.00 x 24.00 x 4.00 | 762 x 610 x 102 | Painted |
| A30244SUG | 30.00 x 24.00 x 4.00 | 762 x 610 x 102 | Galvanized |
| A30304SU | 30.00 x 30.00 x 4.00 | 762 x 762 x 102 | Painted |
| A30304SUG | 30.00 x 30.00 x 4.00 | 762 x 762 x 102 | Galvanized |
| A36244SU | 36.00 x 24.00 x 4.00 | 914 x 610 x 102 | Painted |
| A36244SUG | 36.00 x 24.00 x 4.00 | 914 x 610 x 102 | Galvanized |
| A36364SU | 36.00 x 36.00 x 4.00 | 914 x 914 x 102 | Painted |
| A36364SUG | 36.00 x 36.00 x 4.00 | 914 x 914 x 102 | Galvanized |



89122662