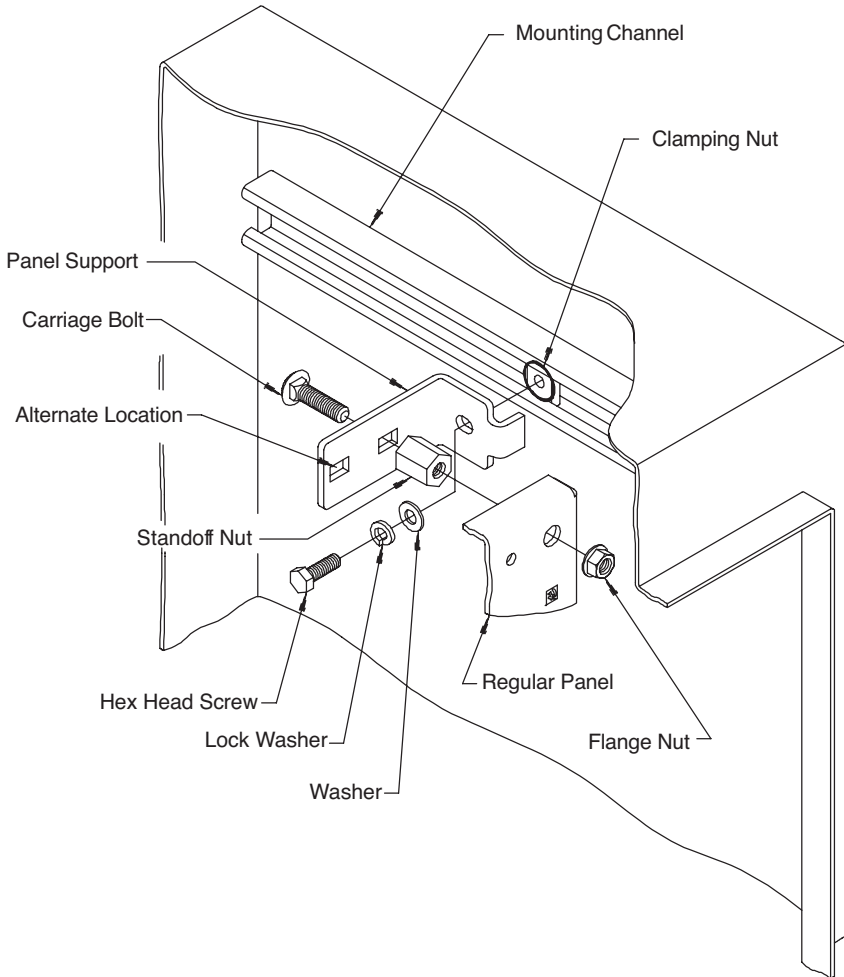


Panel Support Kit



1. Place clamping nut in mounting channel as shown above.
2. Attach each panel support to mounting channel with screw, lockwasher, washer, and clamping nut.
3. Install a carriage bolt and standoff nut on each panel support in location shown. Use alternate location for consoles only.
4. Install and secure panel in place with flange nut.