

HOFFMAN HAS YOU COVERED

From utility junctions to protecting relays, contactors and wire, nVent HOFFMAN has you covered. Our variety of commercial enclosures and wireway are available through local electrical distributors. And with nine regional warehouses, Hoffman delivers the products you need to complete your projects on time and on budget.

Hoffman brings over 70 years of enclosure expertise to the commercial market. As a result, contractors can select from our superior line of pull and junction boxes, enclosures, cabinets, wireway, and new, innovative products.



CONNECT AND PROTECT

What's new at
nVent HOFFMAN



[nVent.com/HOFFMAN](https://www.nVent.com/HOFFMAN)

©2018 nVent. All nVent marks and logos are owned or licensed by nVent Services GmbH or its affiliates. All other trademarks are the property of their respective owners. nVent reserves the right to change specifications without notice. BRO00224_1806



HOFFMAN

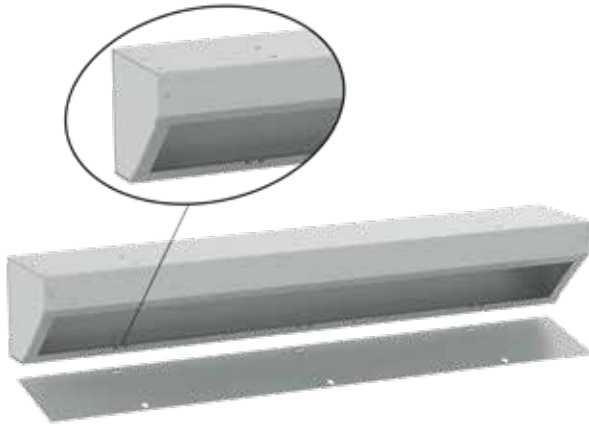
SIMPLE SOLUTIONS SPEEDY RESULTS

“ Custom products cost extra money and increase lead time. Turn to Hoffman for these new, innovative, off-the-shelf offerings. ”



ANGLED TROUGH

The new Angled Trough cuts total installation time by 80% in a typical commercial application. With a patented* design that allows conduit runs through front of the enclosure, the Angled Trough can be mounted in any corner and eliminates the need for costly conduit bends in electrical rooms and multiple commercial settings.



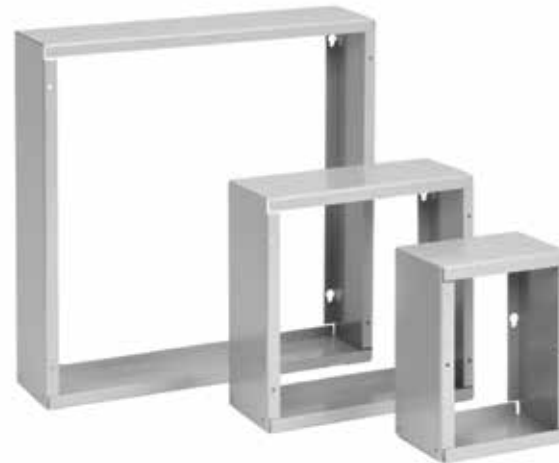
FEATURES

- Flexible install allows conduit runs through six sides of enclosure, including the front
- Angled design does not take up valuable real estate on the wall
- Easy mounting via holes on the back of the enclosure
- Unique design is easy to assemble and offers a removable cover
- Shipped completely assembled with no end caps to install

*U.S. Patent 9,178,342B2

PULL BOX EXTENDER

The Type 1 pull box extenders allow you to increase the wire capacity of an installation without removing the existing pull box, saving you time and money. Additionally, extenders reduce the need for custom pull box sizes during installation. This new standard is available today or tomorrow, through a local distributor, versus 5–10 days from a local fabricator.



FEATURES

- 20 Step-Up sizes in 4-inch depths are available in painted mild steel or galvanized finishes.
- Extenders can be configured to create 40 additional sizes when combined with existing pull boxes.
- Keyhole screw slots allow easy installation.
- Extenders and accessories maintain UL Type 1 rating.

STAINLESS STEEL SCREW COVER PULL BOX AND TROUGH

Type 4X screw-cover pull boxes and troughs provide a simple, cost-effective solution to quickly meet your project requirements in multiple applications. These new standards are available in one or two days, versus two to three weeks for custom products.



FEATURES

- Pull boxes are available in 33 sizes; troughs are available in 15 sizes.
- Screw-cover design provides for easy installation with common hardware.
- 304 stainless steel with secure gasketing ensures a strong seal.
- Pull boxes and troughs maintain UL Type 4X rating.

For more information, go to HOFFMAN.nVent.com or contact your distributor.