

ZONEX SA SERIES JUNCTION BOXES



INDUSTRY STANDARDS

ATEX Directive 2014/35/EU

EN 60079-0
 EN 60079-1
 EN 60079-7
 EN 60079-11
 EN 60079-31

Certifications

II 2 GD Ex e II T5/T6 Ex tD A21 IP 66
 II 2(1) GD Ex e(ia) IIC T5/T6 Ex tD A21 IP 66
 II 1 GD Ex ia IIC T5/T6 Ex tD A21 IP 66
 II 2 GD Ex de IIC T5/T6 Gb Ex tb IIC T100°C÷T85°C Db IP66

CESI 03 ATEX 333 (Terminal box)
 CESI 03 ATEX 115 (Control, command and signaling units)
 IECEx TSA 13.0001 - GOST R

APPLICATION

Zonex SA series junction boxes are suitable for increased safety or intrinsically safe enclosures applicable for Zone 1, 2, 21 or 22 with ATEX and IECEx certifications. They can be supplied with multipolar terminal blocks or modular terminal blocks. They can also be equipped with pilot lights, push buttons and measuring instruments.

Body and cover can be drilled and threaded according to customers' specifications. In accordance with rules, Hoffman must perform the drilling.

FEATURES

- Low copper aluminum alloy enclosure with stainless steel bolts and screws for corrosion resistance
- Screw cover configuration for easy access
- High temperature-resistant silicone gasket provides IP66 rating
- Fixed mounting holes for easy installation
- Epoxy coating RAL 7035
- Internal mounting panel
- Body and cover can be drilled according to customers' specifications

ACCESSORIES

Hazardous Location Breather Drain

OPTIONS

Internal anti-condensation coating RAL 2004 (pure orange)
 External epoxy coating in different color (specify the RAL number)

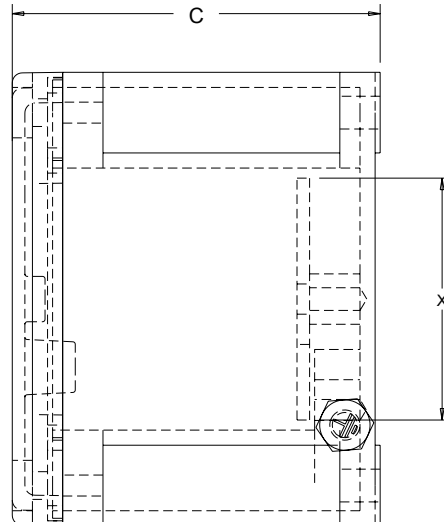
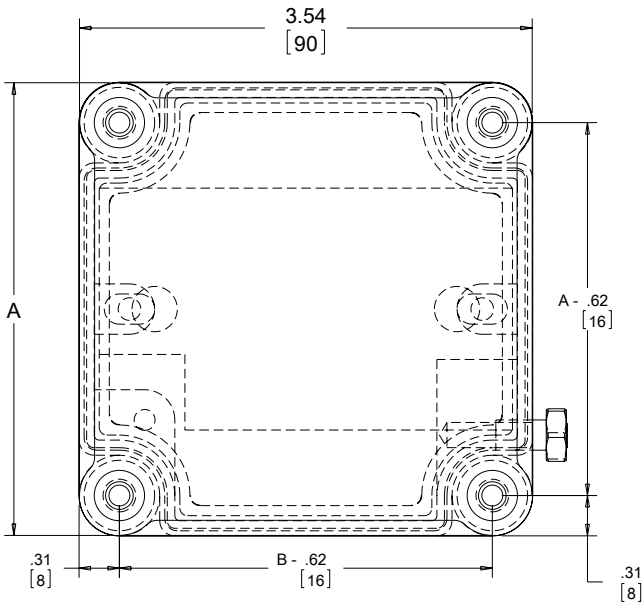
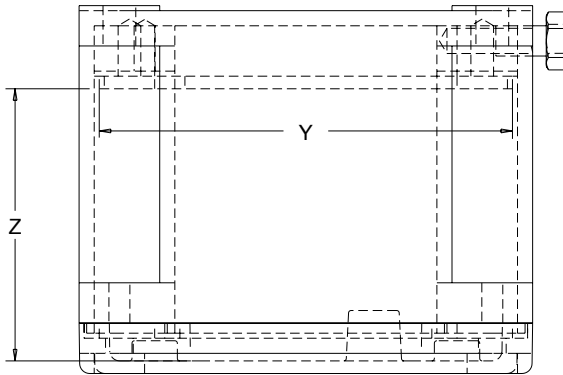
MODIFICATION AND CUSTOMIZATION

Hoffman excels at modifying and customizing products to your specifications. Contact your local Hoffman sales office or distributor for complete information.

BULLETIN: HL4

Standard Product

Catalog Number	AxBxC in./mm	X in./mm	Y in./mm	Z in./mm	Material	Weight (lb.)	Weight (kg)
SA090907	3.54 x 3.54 x 2.95 90 x 90 x 75	3.25 82	1.89 48	2.13 54	Aluminum	3.53	1.60
SA111108	4.33 x 4.33 x 3.35 110 x 110 x 85	3.94 100	2.68 68	2.52 64	Aluminum	3.75	1.70
SA141410	5.79 x 5.79 x 3.94 147 x 147 x 100	5.39 137	4.13 105	3.15 80	Aluminum	4.41	2.00
SA171108	6.69 x 4.33 x 3.35 170 x 110 x 85	6.26 159	2.64 67	2.52 64	Aluminum	4.41	2.00
SA202012	7.87 x 7.87 x 4.72 200 x 200 x 120	7.32 186	5.75 146	3.88 99	Aluminum	6.39	2.90
SA301410	12.01 x 5.79 x 4.33 305 x 147 x 110	11.22 285	3.82 97	3.52 89	Aluminum	7.05	3.20
SA302310	12.01 x 9.06 x 4.33 305 x 230 x 110	11.22 285	7.09 180	3.52 89	Aluminum	8.82	4.00
SA302318	12.01 x 9.06 x 7.48 305 x 230 x 190	11.22 285	7.09 180	6.67 169	Aluminum	10.36	4.70
SA473018	18.50 x 12.01 x 7.68 470 x 305 x 195	17.83 453	10.00 254	6.83 173	Aluminum	16.97	7.70



89115224