

FIBERGLASS DISCONNECT, TYPE 4X



INDUSTRY STANDARDS

UL 508A Listed; Type 3, 3R, 4, 4X, 12, 13; File No. E61997
 cUL Listed per CSA C22.2 No. 94; Type 3, 3R, 4, 4X, 12, 13; File No. E61997
 Enclosure flammability evaluated per UL 508A

NEMA/EEMAC Type 3, 3R, 4, 4X, 12, 13
 IEC 60529, IP66

Meets *NEMA Type 3RX* requirements

APPLICATION

For effective and economical disconnect protection in the harshest corrosive environments, these enclosures provide secure door closure through the use of Type 304 stainless steel slotted quarter-turn latches.

SPECIFICATIONS

- Fiberglass-reinforced material has excellent temperature and chemical resistance qualities and exhibits outstanding physical properties
- Seams are sealed; no holes or knockouts
- Gasket assures watertight and dust-tight seal
- Fiberglass material is easily drilled, filed or sawed
- Hinges are fiberglass-reinforced polyester
- Doors are secured with Type 304 stainless steel slotted quarter-turn latches
- Data pocket is high-impact thermoplastic
- Copper flashed steel collar studs for mounting optional panels and terminal block kits
- Holes provided in body for mounting disconnect operating handle and operating mechanism; disconnect operating handle not included
- Internal grounding provisions for quarter-turn latches
- Includes bracket affixed to door for attaching disconnect door catch (interlock) and instructions for installing disconnect handle (handle not included)
- Material is halogen free

FINISH

Standard fiberglass material is light-gray inside and out. Optional steel panels are painted white. Optional stainless steel, aluminum, conductive and composite panels are unpainted.

ACCESSORIES

See also Accessories.

Frameless Window Kit

Panels for Type 3R, 4, 4X, 12 and 13 Enclosures

Steel and Stainless Steel Window Kits

Terminal Block Kit Assembly for Type 4, 12 and 13 Enclosures

MODIFICATION AND CUSTOMIZATION

Hoffman excels at modifying and customizing products to your specifications. Contact your local Hoffman sales office or distributor for complete information.

BULLETIN: A17WD

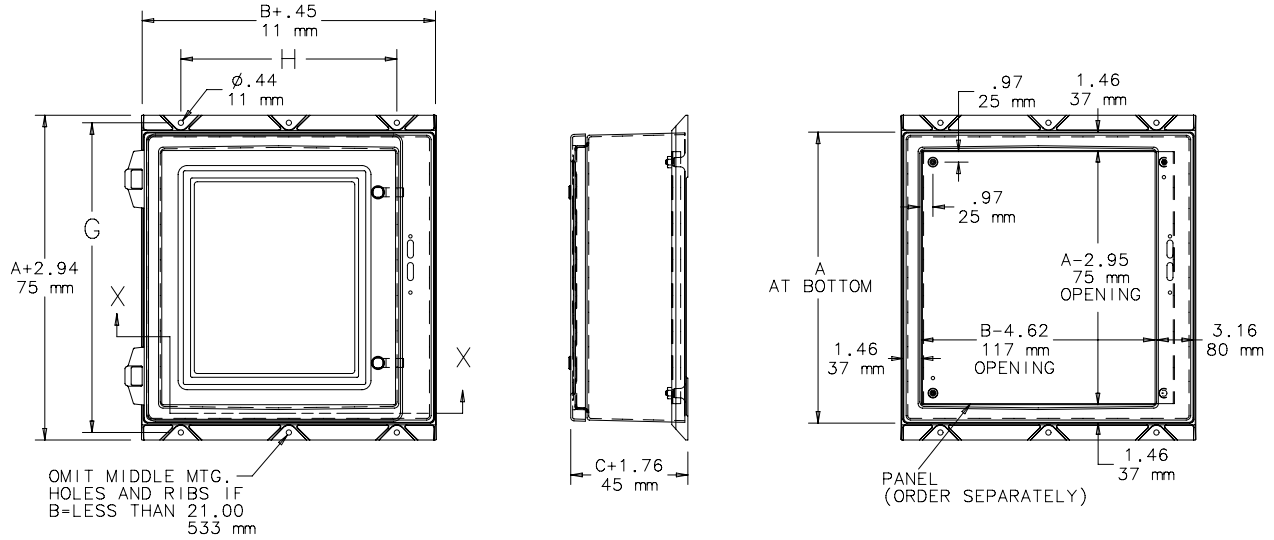
Standard Product

Catalog Number	AxBxC in./mm	Panel	Conductive Panel	Panel Size in./mm	Mounting G x H in./mm	Number of Latches
A20HS1610GQRLP	20.19 x 16.25 x 10.00 513 x 413 x 254	A20P16	A20P16G	17.00 x 13.00 432 x 330	21.81 x 10.00 554 x 254	2
A24HS2008GQRLP	24.25 x 20.25 x 8.00 616 x 514 x 203	A24P20	A24P20G	21.00 x 17.00 533 x 432	25.86 x 14.00 657 x 356	2
A24HS2408GQRLP	24.19 x 24.19 x 8.00 614 x 614 x 203	A24P24	A24P24G	21.00 x 21.00 533 x 533	25.81 x 18.00 656 x 457	2
A24HS2412GQRLP	24.19 x 24.19 x 12.00 614 x 614 x 305	A24P24	A24P24G	21.00 x 21.00 533 x 533	25.81 x 18.00 656 x 457	2
A30HS2412GQRLP	30.25 x 24.25 x 12.00 768 x 616 x 305	A30P24	A30P24G	27.00 x 21.00 686 x 533	31.95 x 18.00 812 x 457	2
A36HS3012GQRLP	36.25 x 30.25 x 12.00 921 x 768 x 305	A36P30	A36P30G	33.00 x 27.00 838 x 686	37.58 x 24.00 955 x 610	4
A48HS3612GQRLP	48.25 x 36.25 x 12.00 1226 x 921 x 305	A48P36	A48P36G	45.00 x 33.00 1143 x 838	49.58 x 30.00 1259 x 762	5
A60HS3612GQRLP	60.25 x 36.31 x 12.00 1530 x 922 x 305	A60P36	A60P36G	57.00 x 33.00 1448 x 838	61.58 x 30.00 1564 x 762	5

Purchase panels separately. Optional stainless steel, composite and aluminum panels available for most sizes. See General Accessories.

No additional "C" dimensions available.

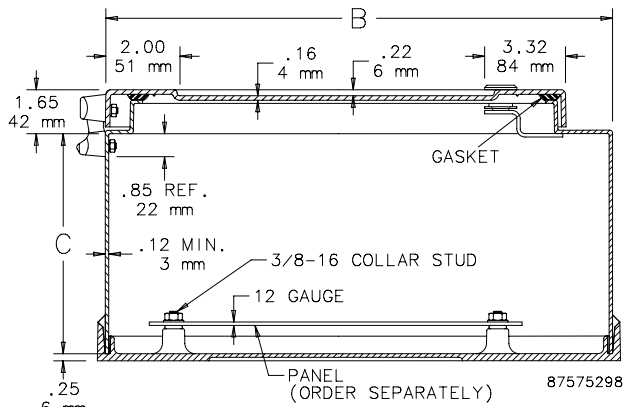
Fiberglass Disconnect, Type 4X, 30 x 24 or Smaller Drawing



FRONT VIEW WITH DOOR

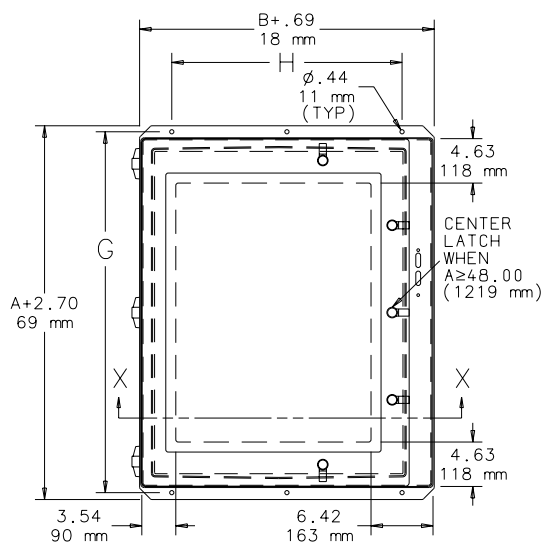
SIDE VIEW

FRONT VIEW DOOR REMOVED

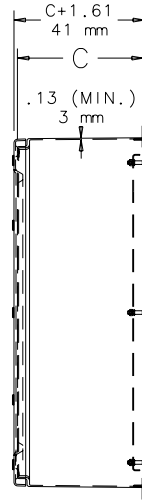


SECTION X-X

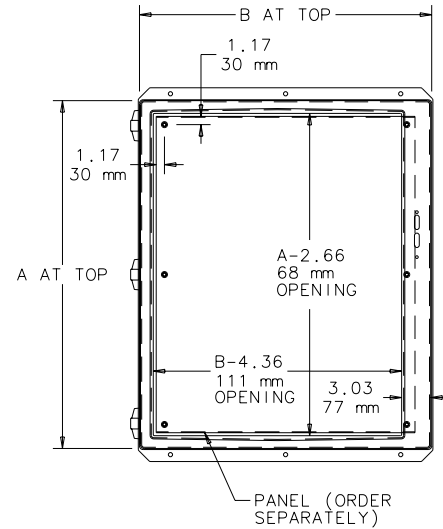
Fiberglass Disconnect, Type 4X, 36 x 30 or Larger Drawing



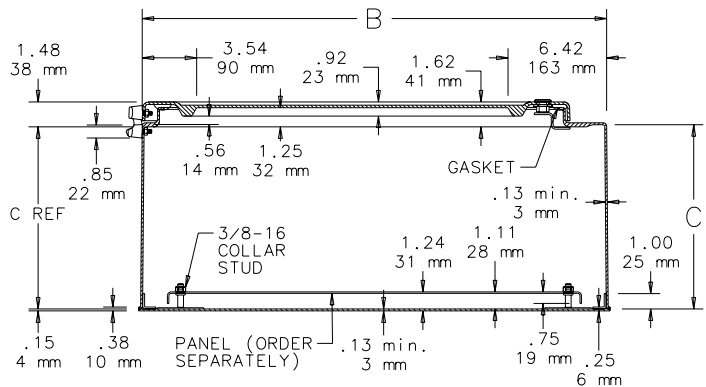
FRONT VIEW WITH DOOR



SIDE VIEW



FRONT VIEW DOOR REMOVED



SECTION X-X

87575484

NOTE:

1. Large data pocket provision when $A=30.00$ (762mm) or more. Data pocket is furnished but not installed. Large data pocket is 12.00 x 12.00 (305mm x 305mm); small data pocket is 6.00 x 6.00 (152mm x 152mm).
2. Internal grounding provisions on the latch side(s) of the internal body Flange.

DISCONNECT MOUNTING SPACE

Disconnects will occupy space on panel shown in Disconnect Mounting Space Diagram. Wiring space W1 is available when disconnect is installed in the enclosure.

$E1 = 8.62$ in. (219 mm) when $A < 30.00$ in. (768 mm) and $C = 8.00$ in. (203 mm), 10.00 in. (254 mm) or 12.00 in. (305 mm)

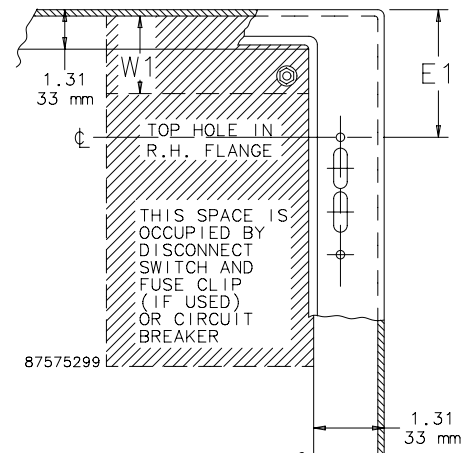
$E1 = 11.62$ in. (295 mm) when $A > 30.00$ in. (768 mm) and $C = 12.00$ in. (305 mm)

W1 = Wiring Space.

See *Technical Information for wire bend space.*

Refer to *National Electrical Code®* 2005 article 430-10(b) for wiring space required for line side conductors to be connected to disconnect.

Verify your application to determine whether wiring space is adequate.



Consult disconnect manufacturer for F1 and G1 dimensions.

PREFERRED-CUTOUT OVERVIEW



APPLICATION

Enclosures having the preferred cutout are sized for use with up to 200A disconnect switches and up to 400A circuit breakers unless otherwise specified. The preferred cutout accepts the smaller operating handle whose mounting hole centers are 4.688 in. apart. Preferred cutouts are standard in mild steel wall-mount enclosures, modular enclosures and some select large mild steel enclosures. They are also present on all standard stainless steel offerings. Mild steel operator adapter plates with brand specific preferred cutouts are available for enclosures with a rectangular universal cutout.

Preferred cutouts are designed to house the following:

Allen-Bradley

- Bulletin 1494U universal disconnect switches with flange-mount handles for either variable-depth, cable-operated mechanisms
- Bulletin 1494V disconnect switches with flange-mount variable-depth operating mechanisms and Bulletin 1494V flange-mount variable-depth operating mechanisms for circuit breakers
- Bulletin 140U flexible cable operating mechanisms for 140U molded case circuit breakers

- Bulletin 140G flexible cable and variable-depth, flange-mount, molded case circuit breakers
 - Bulletin 1494C cable-operated disconnect switches with flange-mount handles
 - Bulletin 194RC cable-operated flange-mount handles for use with the NFPA 79 compliant 194R IEC rotary disconnect switches
- Allen-Bradley Bulletin 1494V-R1, -R2 and -W2 operating handles and Allen-Bradley Bulletin 1494F disconnect devices or Bulletin 1494D circuit breaker operators will NOT fit these enclosures.**

ABB Controls flange-mount variable-depth operating mechanisms for disconnect switches and circuit breakers. Also the cable version for circuit breakers.

Eaton Cutler-Hammer Type C361 flange-mount variable-depth operating mechanisms with disconnect switches and Type C371 flange-mount variable-depth operating mechanisms for circuit breakers.

General Electric Type STDA flange handles and variable-depth operating mechanisms for disconnect switches and circuit breakers. Also SPECTRAFLEX cable operators for circuit breakers.

Siemens ITE MAX FLEX® flange-mount variable-depth operating handles for circuit breakers.

Schneider Square D® Class 9422 disconnect switches with flange-mount variable-depth operating mechanisms or cable mechanisms and Class 9422 flange-mount variable-depth operating mechanisms or cable mechanisms for circuit breakers.

These enclosures will NOT accept Square D Class 9422 bracket-mounted disconnect devices, Class 9422TG1 or TG2 devices.

ORDERING

The disconnect switch, operating handle, and operating mechanism must be ordered from disconnect equipment supplier. See Technical Information in the nVent HOFFMAN Specifier's Guide for wire bend space available when various manufacturers' disconnect switches are installed. Check the enclosure dimension drawings to verify the chosen disconnect switch will fit in the enclosure.