

DISCONNECT ENCLOSURE WITH CLAMPS, TYPE 4



INDUSTRY STANDARDS

UL 508A Listed; Type 4, 12; File No. E61997
 cUL Listed per CSA C22.2 No. 94; Type 4, 12; File No. E61997

NEMA/EEMAC Type 3, 4, 12, 13
 CSA File No. 42186; Type 4, 12
 IEC 60529, IP66

APPLICATION

For disconnect applications in which a clamp-secured door is preferred. Clamps on three sides of the door keep liquid and contaminants out. Preferred cutout accepts major brand disconnect switches and circuit breakers.

Furnished with Enclosures

1. Adjustable door interlock bracket fastened to door
2. Instructions to locate and install disconnect switches, circuit breakers and operating mechanisms

SPECIFICATIONS

- 14 gauge steel
- Seams continuously welded and ground smooth
- External welded-on mounting brackets for easy installation
- External formed body flange channels away liquids
- Stainless steel screw-down clamps on three sides of door
- Removable door with continuous hinge for strength and ruggedness
- Removable heavy gauge continuous hinge pin
- Data pocket is high impact thermoplastic
- Type 4 rated door gasket
- Collar studs for mounting optional panels
- Holes in body for mounting disconnect operating handle and operating mechanism
- Bonding provision on door
- Adjustable door interlock bracket fastened to door
- Installation instructions provided

FINISH

ANSI 61 gray polyester powder paint inside and out.

ACCESSORIES

Panels for Type 3R, 4, 4X, 12 and 13 Enclosures
 Blank Adapter Plates, Mild Steel
 Industrial Corrosion Inhibitors
 Electric Heater
 PANELITE Enclosure Lights

MODIFICATION AND CUSTOMIZATION

Hoffman excels at modifying and customizing products to your specifications. Contact your local Hoffman sales office or distributor for complete information.

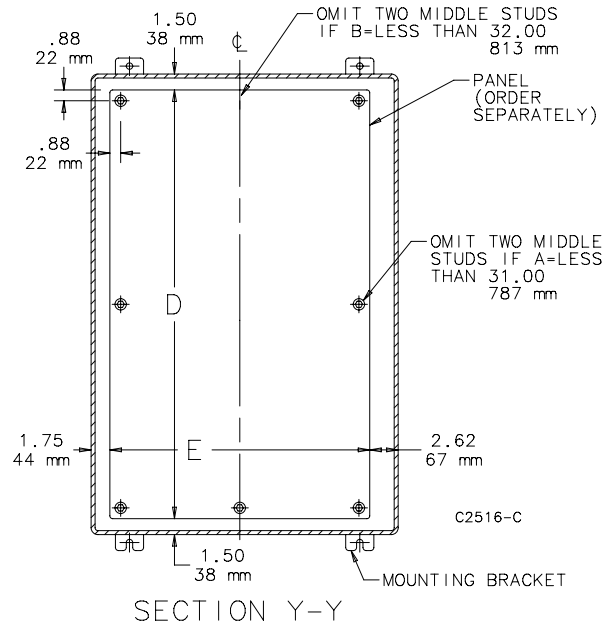
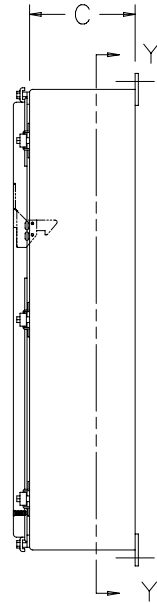
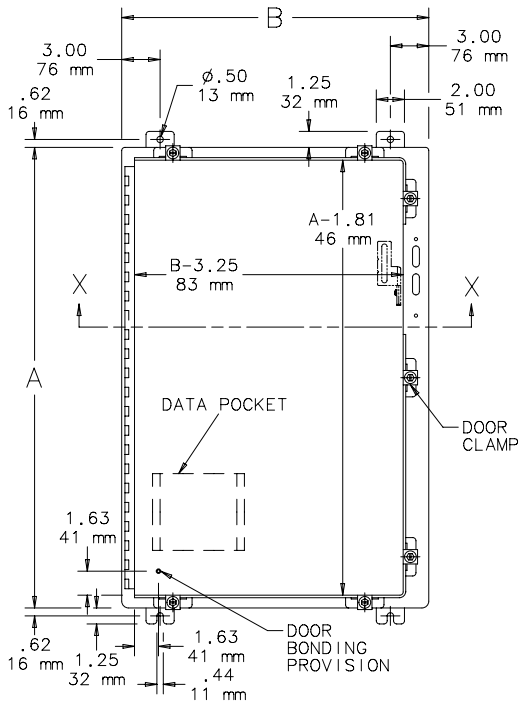
BULLETIN: A19

Standard Product

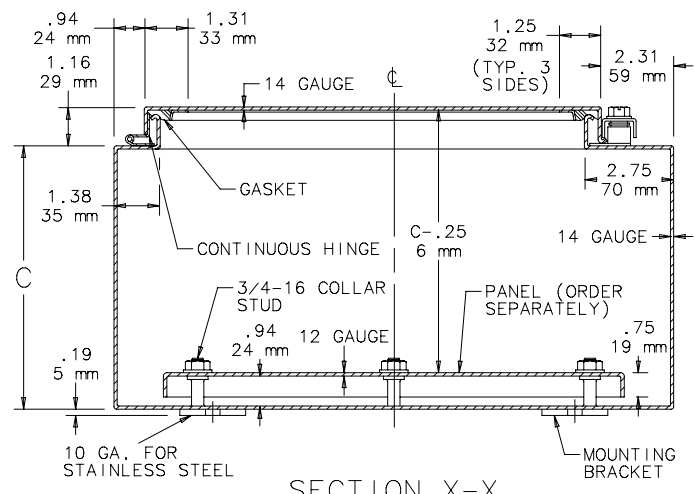
Catalog Number	AxBxC in./mm	Panel	Conductive Panel	Panel Size D x E in./mm	Data Pocket Size in./mm	Number of Clamps
A24HS2108LP	24.00 x 21.38 x 8.00 610 x 543 x 203	A24P20	A24P20G	21.00 x 17.00 533 x 432	6.00 x 6.00 152 x 152	5
A24HS2508LP	24.00 x 25.38 x 8.00 610 x 645 x 203	A24P24	A24P24G	21.00 x 21.00 533 x 533	6.00 x 6.00 152 x 152	5
A30HS2508LP	30.00 x 25.38 x 8.00 762 x 645 x 203	A30P24	A30P24G	27.00 x 21.00 686 x 533	12.00 x 12.00 305 x 305	5
A36HS2508LP	36.00 x 25.38 x 8.00 914 x 645 x 203	A36P24	A36P24G	33.00 x 21.00 838 x 533	12.00 x 12.00 305 x 305	5
A36HS3108LP	36.00 x 31.38 x 8.00 914 x 797 x 203	A36P30	A36P30G	33.00 x 27.00 838 x 686	12.00 x 12.00 305 x 305	7
A42HS3112LP	42.00 x 31.38 x 12.00 1067 x 797 x 305	A42P30	A42P30G	39.00 x 27.00 991 x 686	6.00 x 6.00 152 x 152	10
A42HS3712LP	42.00 x 37.38 x 12.00 1067 x 949 x 305	A42P36	A42P36G	39.00 x 33.00 991 x 838	12.00 x 12.00 305 x 305	10
A48HS3712LP	48.00 x 37.38 x 12.00 1219 x 949 x 305	A48P36	A48P36G	45.00 x 33.00 1143 x 838	12.00 x 12.00 305 x 305	10
A60HS3712LP	60.00 x 37.38 x 12.00 1524 x 949 x 305	A60P36	A60P36G	57.00 x 33.00 1448 x 838	12.00 x 12.00 305 x 305	11

Purchase panels separately.

NOTE: nVent HOFFMAN cannot guarantee compatibility of disconnect configurations with third-party latching. Please work with your local nVent HOFFMAN distributor or contact nVent HOFFMAN Technical Support, 763-422-2175, TechAppSupport@nVent.com.



NOTE: 1. 12 gauge panels have flanges along two sides when the side dimension is more than 21.00 inches (533mm). Panels A24P20 and A24P24 have flanges on four sides.



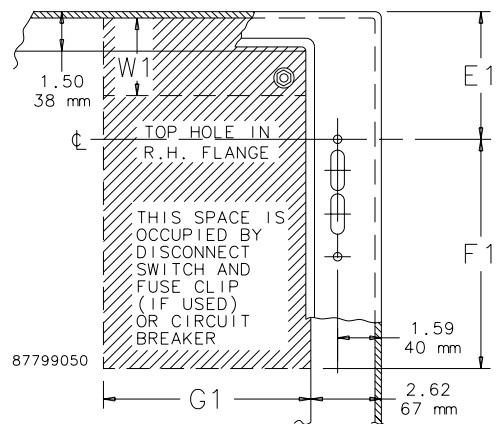
DISCONNECT MOUNTING SPACE

Disconnects will occupy space on panel shown by dimensions E1, F1, and G1. Wiring space W1 is available when disconnect is installed in the enclosure.
 E1 = 8.62 in. (219 mm) when C = 8.00 in. (203 mm)
 E1 = 11.62 in. (294 mm) when C = 12.00 in. (305 mm)
 W1 = Wiring Space

Refer to **NATIONAL ELECTRICAL CODE, 2005** article 430-10(b) for wiring space required for line side conductors to be connected to disconnect.

Verify your application to determine whether wiring space is adequate.

Consult Space Occupied by Disconnect drawing to determine whether the disconnect device you are using will fit the enclosure size you have selected.



Consult disconnect manufacturer for F1 and G1 dimensions.

PREFERRED-CUTOUT OVERVIEW



APPLICATION

Enclosures having the preferred cutout are sized for use with up to 200A disconnect switches and up to 400A circuit breakers unless otherwise specified. The preferred cutout accepts the smaller operating handle whose mounting hole centers are 4.688 in. apart. Preferred cutouts are standard in mild steel wall-mount enclosures, modular enclosures and some select large mild steel enclosures. They are also present on all standard stainless steel offerings. Mild steel operator adapter plates with brand specific preferred cutouts are available for enclosures with a rectangular universal cutout.

Preferred cutouts are designed to house the following:

Allen-Bradley

- Bulletin 1494U universal disconnect switches with flange-mount handles for either variable-depth, cable-operated mechanisms
- Bulletin 1494V disconnect switches with flange-mount variable-depth operating mechanisms and Bulletin 1494V flange-mount variable-depth operating mechanisms for circuit breakers
- Bulletin 140U flexible cable operating mechanisms for 140U molded case circuit breakers

- Bulletin 140G flexible cable and variable-depth, flange-mount, molded case circuit breakers
 - Bulletin 1494C cable-operated disconnect switches with flange-mount handles
 - Bulletin 194RC cable-operated flange-mount handles for use with the NFPA 79 compliant 194R IEC rotary disconnect switches
- Allen-Bradley Bulletin 1494V-R1, -R2 and -W2 operating handles and Allen-Bradley Bulletin 1494F disconnect devices or Bulletin 1494D circuit breaker operators will NOT fit these enclosures.**

ABB Controls flange-mount variable-depth operating mechanisms for disconnect switches and circuit breakers. Also the cable version for circuit breakers.

Eaton Cutler-Hammer Type C361 flange-mount variable-depth operating mechanisms with disconnect switches and Type C371 flange-mount variable-depth operating mechanisms for circuit breakers.

General Electric Type STDA flange handles and variable-depth operating mechanisms for disconnect switches and circuit breakers. Also SPECTRAFLEX cable operators for circuit breakers.

Siemens ITE MAX FLEX® flange-mount variable-depth operating handles for circuit breakers.

Schneider Square D® Class 9422 disconnect switches with flange-mount variable-depth operating mechanisms or cable mechanisms and Class 9422 flange-mount variable-depth operating mechanisms or cable mechanisms for circuit breakers.

These enclosures will NOT accept Square D Class 9422 bracket-mounted disconnect devices, Class 9422TG1 or TG2 devices.

ORDERING

The disconnect switch, operating handle, and operating mechanism must be ordered from disconnect equipment supplier. See Technical Information in the nVent HOFFMAN Specifier's Guide for wire bend space available when various manufacturers' disconnect switches are installed. Check the enclosure dimension drawings to verify the chosen disconnect switch will fit in the enclosure.

Notes