

CONCEPT DISCONNECT ENCLOSURE, TYPE 4X



INDUSTRY STANDARDS

Mounting brackets required to meet UL/cUL external mounting requirement.

UL 508A Listed; Type 3R, 4, 4X, 12; File No. E61997
 cUL Listed per CSA C22.2 No. 94; Type 3R, 4, 4X, 12; File No. E61997

NEMA/EEMAC Type 3R, 4, 4X, 12, 13
 IEC 60529, IP66
Meets NEMA Type 3RX requirements

APPLICATION

Use Concept Disconnect Enclosures in applications that require stylized design features and a preferred cutout that accepts major brand disconnect switches and circuit breakers.

Furnished with Enclosures

1. Adjustable door interlock bracket fastened to door
2. Three-point door latching system installed on door
3. Instructions to locate and install disconnect
4. Hardware kit consisting of padlocking door handle, panel mounting nuts, grounding hardware and sealing washers for mounting holes

SPECIFICATIONS

- Body and door are 14 gauge Type 304 or 316 stainless steel
- Seams continuously welded and ground smooth
- External-formed 90-degree body flange
- Integral door ramp to properly align door and gasket to body flange
- Holes provided in right-hand flange are for mounting disconnect operating handle and operating mechanism
- Panel mounting studs fit optional CONCEPT panels and other accessories (purchase panels separately)
- Mounting holes in back of body for direct mounting or for optional external mounting brackets
- Stainless steel hidden hinges
- Standard full-access door opening
- Corner formed doors are interchangeable and easily removable by pulling captive hinge pins
- Provisions on door for optional high-impact thermoplastic data pocket
- Seamless foam-in-place gasket
- Three-point door latching system installed on door interlocks with disconnect handle for added safety
- Adjustable door interlock bracket fastened to door
- Unique integrated door handle with tool-to-open feature and padlock option installed on door
- Self-grounding latch system with double seal
- Bonding provision on door; grounding stud on body
- Includes hardware kit (consisting of padlocking door handle, panel mounting nuts, grounding hardware and sealing washers for mounting holes) and instructions for installing disconnects

FINISH

Sides, top bottom and door have smooth #4 brushed finish. Handle is die-cast with black textured polyester powder paint.

ACCESSORIES

- Blank Adapter Plates, Stainless Steel
- Compact Cooling Fans
- Mounting-Bracket Kits
- PaneLite Enclosure Lights Overview
- Concept Panels
- Steel and Stainless Steel Window Kits

MODIFICATION AND CUSTOMIZATION

nVent HOFFMAN excels at modifying and customizing products to your specifications. Contact your local nVent HOFFMAN sales office or distributor for complete information.

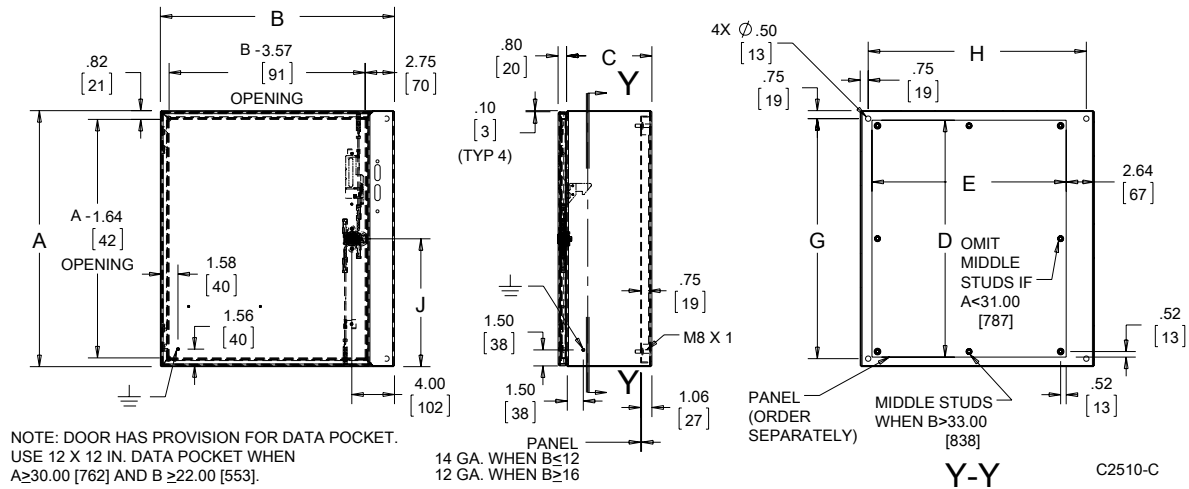
BULLETIN: CWSD

Standard Product

Catalog Number	AxBxC in./mm	Stainless Steel Type	Concept Panel	Conductive Panel	Panel Size D x E in./mm	Mounting G x H in./mm	J in./mm
CDSC20228SS	20.00 x 22.00 x 8.00 508 x 559 x 203	304	CP2020	CP2020G	18.20 x 18.20 462 x 462	18.50 x 20.50 470 x 521	8.00 203
CDSC20228SS6	20.00 x 22.00 x 8.00 508 x 559 x 203	316	CP2020	CP2020G	18.20 x 18.20 462 x 462	18.50 x 20.50 470 x 521	8.00 203
CDSC24228SS	24.00 x 22.00 x 8.00 610 x 559 x 203	304	CP2420	CP2420G	22.20 x 18.20 564 x 462	22.50 x 20.50 572 X 521	12.00 305
CDSC24228SS6	24.00 x 22.00 x 8.00 610 x 559 x 203	316	CP2420	CP2420G	22.20 x 18.20 564 x 462	22.50 x 20.50 572 X 521	12.00 305
CDSC24268SS	24.00 x 26.00 x 8.00 610 x 660 x 203	304	CP2424	CP2424G	22.20 x 22.20 564 x 564	22.50 x 24.50 572 x 622	12.00 305
CDSC24268SS6	24.00 x 26.00 x 8.00 610 x 660 x 203	316	CP2424	CP2424G	22.20 x 22.20 564 x 564	22.50 x 24.50 572 x 622	12.00 305
CDSC30268SS	30.00 x 26.00 x 8.00 762 x 660 x 203	304	CP3024	CP3024G	28.20 x 22.20 716 x 564	28.50 x 24.50 724 x 622	15.00 381
CDSC30268SS6	30.00 x 26.00 x 8.00 762 x 660 x 203	316	CP3024	CP3024G	28.20 x 22.20 716 x 564	28.50 x 24.50 724 x 622	15.00 381
CDSC36268SS	36.00 x 26.00 x 8.00 914 x 660 x 203	304	CP3624	CP3624G	34.20 x 22.20 869 x 564	34.50 x 24.50 876 x 622	18.00 457
CDSC36268SS6	36.00 x 26.00 x 8.00 914 x 660 x 203	316	CP3624	CP3624G	34.20 x 22.20 869 x 564	34.50 x 24.50 876 x 622	18.00 457
CDSC242610SS	24.00 x 26.00 x 10.00 610 x 660 x 254	304	CP2424	CP2424G	22.20 x 22.20 564 x 564	22.50 x 24.50 572 x 622	12.00 305
CDSC242610SS6	24.00 x 26.00 x 10.00 610 x 660 x 254	316	CP2424	CP2424G	22.20 x 22.20 564 x 564	22.50 x 24.50 572 x 622	12.00 305
CDSC302610SS	30.00 x 26.00 x 10.00 762 x 660 x 254	304	CP3024	CP3024G	28.20 x 22.20 716 x 564	28.50 x 24.50 724 x 622	15.00 381
CDSC302610SS6	30.00 x 26.00 x 10.00 762 x 660 x 254	316	CP3024	CP3024G	28.20 x 22.20 716 x 564	28.50 x 24.50 724 x 622	15.00 381

Purchase panels separately. Optional plated CONCEPT panels available. Optional NEMA style and stainless steel panels require conversion kit catalog number CCPM4.

NOTE: nVent HOFFMAN cannot guarantee compatibility of disconnect configurations with third-party latching. Please work with your local nVent HOFFMAN distributor or contact nVent HOFFMAN Technical Support, 763-422-2175, TechAppSupport@nVent.com.



DISCONNECT MOUNTING SPACE

Disconnects will occupy space on panel shown by dimensions E1, F1 and G1. Wiring space W1 is available when disconnect is installed in the enclosure.

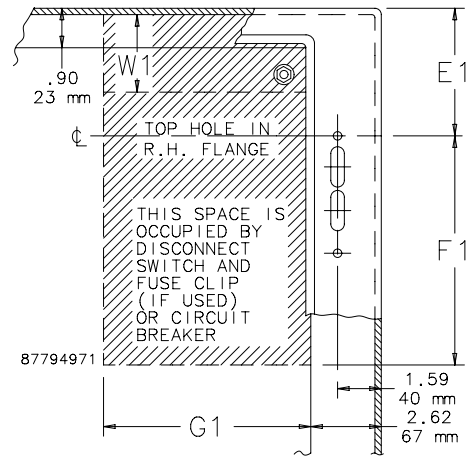
- E1 = 4.75 in. (121 mm) when C = 8.00 in. (203 mm)
- E1 = 11.62 in. (294 mm) when C = 12.00 in. (305 mm)
- E1 = 11.62 in. (294 mm) when C = 16.00 in. (406 mm)
- W1 = Wiring Space.

See *Technical Information for wire bend space.*

Refer to **NATIONAL ELECTRICAL CODE, 2005** article 430-10(b) for wiring space required for line side conductors to be connected to disconnect.

Verify your application to determine whether wiring space is adequate.

Consult Space Occupied by Disconnect drawing to determine whether the disconnect device you are using will fit the enclosure size you have selected.



Consult disconnect manufacturer for F1 and G1 dimensions.

PREFERRED-CUTOUT OVERVIEW



APPLICATION

Enclosures having the preferred cutout are sized for use with up to 200A disconnect switches and up to 400A circuit breakers unless otherwise specified. The preferred cutout accepts the smaller operating handle whose mounting hole centers are 4.688 in. apart. Preferred cutouts are standard in mild steel wall-mount enclosures, modular enclosures and some select large mild steel enclosures. They are also present on all standard stainless steel offerings. Mild steel operator adapter plates with brand specific preferred cutouts are available for enclosures with a rectangular universal cutout.

Preferred cutouts are designed to house the following:

Allen-Bradley

- Bulletin 1494U universal disconnect switches with flange-mount handles for either variable-depth, cable-operated mechanisms
- Bulletin 1494V disconnect switches with flange-mount variable-depth operating mechanisms and Bulletin 1494V flange-mount variable-depth operating mechanisms for circuit breakers
- Bulletin 140U flexible cable operating mechanisms for 140U molded case circuit breakers

- Bulletin 140G flexible cable and variable-depth, flange-mount, molded case circuit breakers
 - Bulletin 1494C cable-operated disconnect switches with flange-mount handles
 - Bulletin 194RC cable-operated flange-mount handles for use with the NFPA 79 compliant 194R IEC rotary disconnect switches
- Allen-Bradley Bulletin 1494V-R1, -R2 and -W2 operating handles and Allen-Bradley Bulletin 1494F disconnect devices or Bulletin 1494D circuit breaker operators will NOT fit these enclosures.**

ABB Controls flange-mount variable-depth operating mechanisms for disconnect switches and circuit breakers. Also the cable version for circuit breakers.

Eaton Cutler-Hammer Type C361 flange-mount variable-depth operating mechanisms with disconnect switches and Type C371 flange-mount variable-depth operating mechanisms for circuit breakers.

General Electric Type STDA flange handles and variable-depth operating mechanisms for disconnect switches and circuit breakers. Also SPECTRAFLEX cable operators for circuit breakers.

Siemens ITE MAX FLEX® flange-mount variable-depth operating handles for circuit breakers.

Schneider Square D® Class 9422 disconnect switches with flange-mount variable-depth operating mechanisms or cable mechanisms and Class 9422 flange-mount variable-depth operating mechanisms or cable mechanisms for circuit breakers.

These enclosures will NOT accept Square D Class 9422 bracket-mounted disconnect devices, Class 9422TG1 or TG2 devices.

ORDERING

The disconnect switch, operating handle, and operating mechanism must be ordered from disconnect equipment supplier. See Technical Information in the nVent HOFFMAN Specifier's Guide for wire bend space available when various manufacturers' disconnect switches are installed. Check the enclosure dimension drawings to verify the chosen disconnect switch will fit in the enclosure.