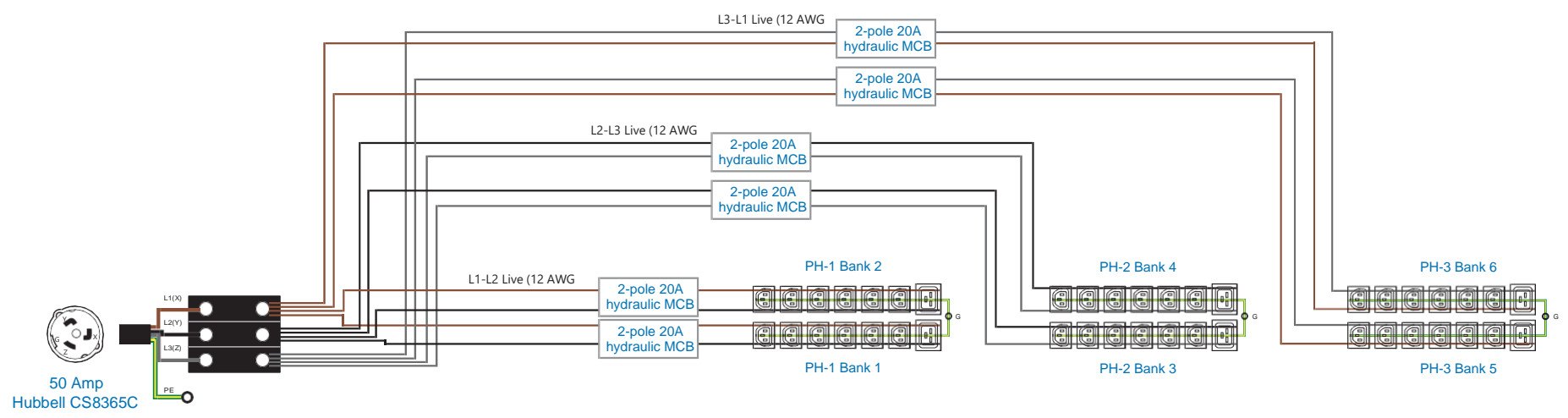
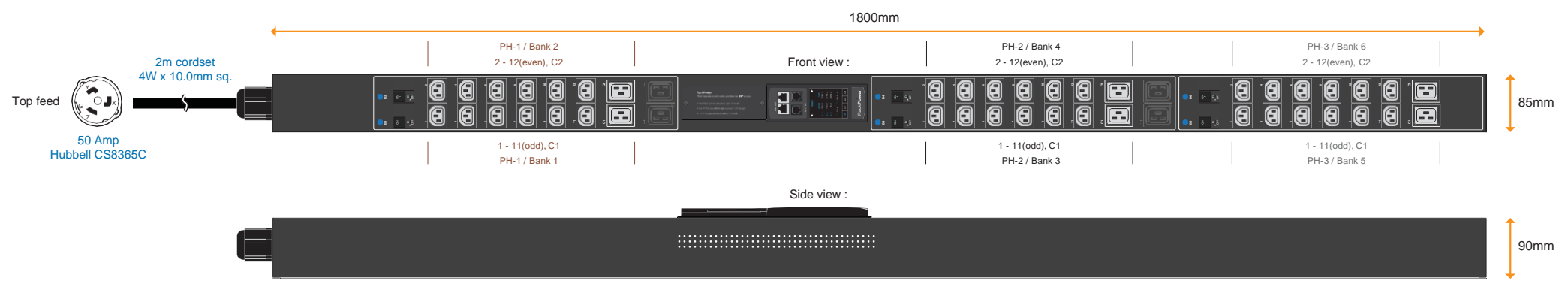


3-Phase 208V 50A monitored PDU drawing & specification

RP1000: Strip level measurement, SNMP Hardware



| Three phase monitored PDU | |
|---------------------------|---|
| Input Rating | : 50A, 208V 3PH |
| Outlet | : 10A Rated C13 x 36 : 16A Rated C19 x 6 |
| Inlet | : 50A Hubbell CS8365C plug |
| Cordset | : 4-wire 2 meter 10.0mm sq SOOW 6AWG/4C cordset |
| Protection | : 20A 2-pole hydraulic MCB x 6 |
| Bank Details | PH-1 < Bank 1 > Output 14.4A max. C 1 3 #1-1 1(odd) + C19 #C1 < Bank 2 > Output 14.4A max. C13 #2-12(even) + C19 #C2 PH-2 < Bank 3 > Output 14.4A max. C 1 3 #1-1 1(odd) + C19 #C1 < Bank 4 > Output 14.4A max. C13 #2-12(even) + C19 #C2 PH-3 < Bank 5 > Output 14.4A max. C 1 3 #1-1 1(odd) + C19 #C1 < Bank 6 > Output 14.4A max. C13 #2-12(even) + C19 #C2 |

| Meter Features (W monitored PDU) | |
|------------------------------------|---|
| Local Display | : Field replaceable 2.8" color LCD with touchscreen |
| Bank Measurement | : Voltage (V), Current (A), energy (kWh) & power factor |
| Accuracy | : ±1% Billing-grade |
| IP Access | : via IP dongle, one IP Access up to 16 PDU Levels |
| Cascade | : Up to 16 PDU under single IP address via IP dongle |
| SNMP | : V2 / V3 via IP dongle |
| Sensor Port x 2 | : Temp. Sensor / Temp. + Humid. Sensor |

| | |
|------------------------|--|
| EMC Compliance | : FCC Part 15 Subpart B certified |
| Safety Compliance | : cTUVus Mark to UL 60950-1:2007/R:2014-10 CAN/CSA-C22.2 No. 60950-1:2007/A2:2014-10 UL 62368-1:2014 CAN/CSA-C22.2 No. 62368-1:2014 |
| Environment Compliance | : UL 60730-1 Ed.5 (2016) RoHS2 & REACH |

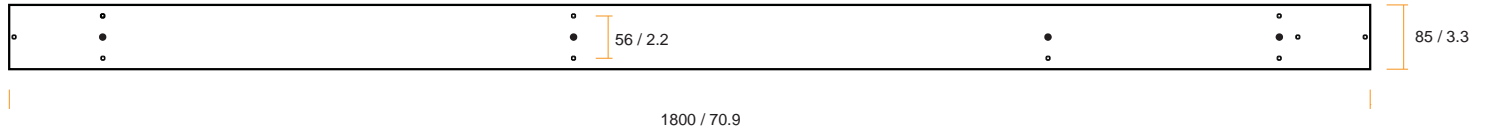
| | |
|-----------------------|-------------------------------|
| Operating Temperature | : -5 to 60 °C |
| Storage Temperature | : -25 to 65 °C |
| Operating Altitude | : 0 to 2,000 m |
| Storage Altitude | : 0 to 15,000 m |
| Humidity | : 8 to 95% RH, non-condensing |

| | |
|-------------------|--------------------------------------|
| Chassis Material | : Steel |
| Chassis Color | : Black |
| PDU Dimension | : 3.3 (W) x 3.5 (D) x 70.9 (H) inch |
| Net Weight | : 34.1 lbs |
| Packing Dimension | : 4.3 (W) x 10.6 (D) x 80.4 (H) inch |
| PDU Gross Weight | : 38.5 lbs |

Mounting

123.8 / 4.9 622.4 / 24.5 622.4 / 24.5 311.2 / 12.3

VMS



Top

Bottom

VMB

