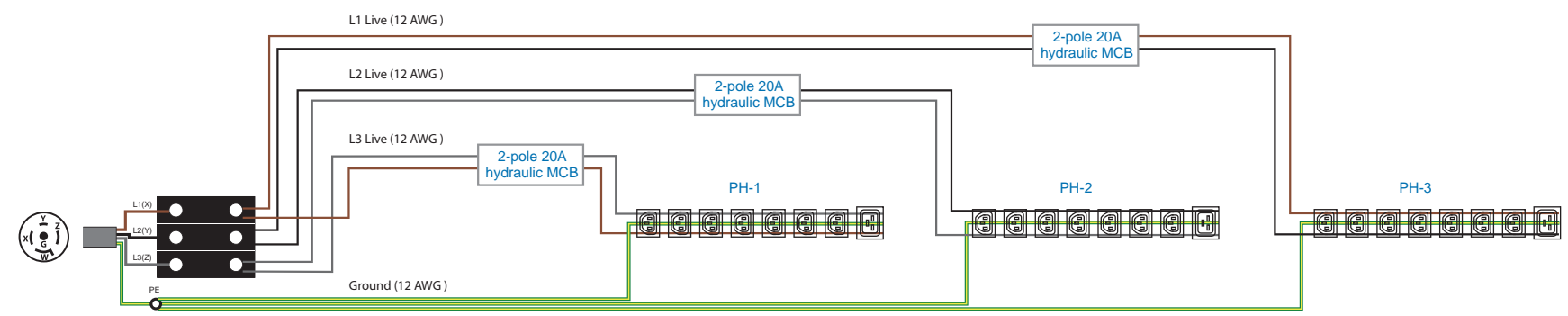
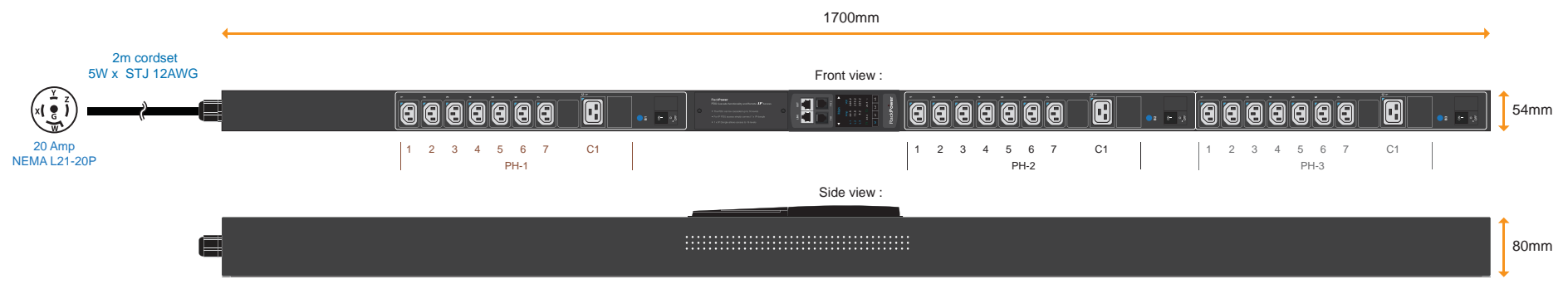


3-Phase 208V 20A switched PDU drawing & specification

RP2000: Strip level measurement, Outlet Switch ON / OFF, SNMP Hardware



Three phase switched PDU

Input Rating	: 20A, 208V 3PH
Outlet	: 10A 208V Rated C13 x 21 16A 208V Rated C19 x 3
Inlet	: 20 Amp NEMA L21-20P plug
Cordset	: 5-wire 2 meter STJ 12AWG cordset
Protection	: 20A 2-pole hydraulic MCB x 3
Bank Details	: < PH-1 > Output 11.6A max. C13 #1-7 + C19 #C1 < PH-2 > Output 11.6A max. C13 #1-7 + C19 #C1 < PH-3 > Output 11.6A max. C13 #1-7 + C19 #C1

Meter Features (WS Switched PDU)

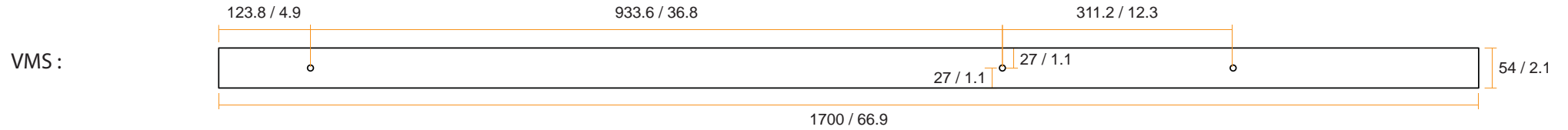
Local Display	: Field replaceable 2.8" color LCD with touchscreen
Bank Measurement	: Voltage (V), Current (A), energy (kWh) & power factor
Outlet Control	: Outlet Switch ON / OFF
Accuracy	: ±1% Billing-grade
IP Access	: via IP dongle, one IP Access up to 16 PDU Levels
Cascade	: Up to 16 PDU under single IP address via IP dongle
SNMP	: V2 / V3 via IP dongle
Sensor Port x 2	: Temp. Sensor / Temp. + Humid. Sensor

EMC Compliance	: FCC Part 15 Subpart B certified
Safety Compliance	: cTUVus Mark to UL 60950-1:2007/R:2014-10 CAN/CSA-C22.2 No. 60950-1:2007/A2:2014-10 UL 62368-1:2014 CAN/CSA-C22.2 No. 62368-1:2014
Environment Compliance	: UL 60730-1 Ed.5 (2016) RoHS2 & REACH

Operating Temperature	: -5 to 60 °C
Storage Temperature	: -25 to 65 °C
Operating Altitude	: 0 to 2,000 m
Storage Altitude	: 0 to 15,000 m
Humidity	: 8 to 95% RH, non-condensing

Chassis Material	: Steel
Chassis Color	: Black
Product Dimension	: 2.1 (W) x 3.1 (D) x 66.9 (H) inch
Net weight	: 17.6 lbs
Packing Dimension (for 2 PDUs)	: 4.3 (W) x 10.6 (D) x 80.4 (H) inch
PDU gross weight (for 2 PDUs)	: 39.6 lbs

Mounting Method



Top feed

Bottom feed

