

ProLine

PROLINE RACK AND GRID / RAIL SYSTEM

GRID SYSTEM



Grid strap installation (from side to side).



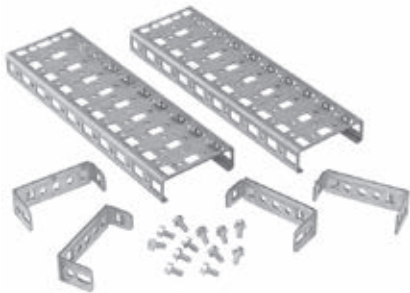
Grid strap installation (vertical and horizontal grid straps)



Full-height vertical grid strap

A Grid System provides a flexible extension to the internal mounting system already furnished with the ProLine frame. The Grid System allows flexible mounting capabilities in height, width and depth. Accessories or equipment can be attached directly to the Grid System using either cage nuts or front-loading cage nuts.

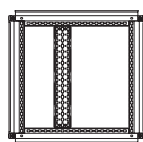
GRID STRAPS



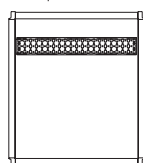
Grid Straps are 2,0 mm plated steel. They are provided with specially designed rectangular holes to allow the use of cage nuts or front-loading cage nuts. Mounting holes are provided on 25 mm centers. Grid Straps are available with either 1 row or 3 rows of holes and are furnished in pairs. Mounting hardware to attach Grid Straps to the frame or to other Grid Straps is included.

- Can be mounted front-to-back horizontally across the bottom or sides of the ProLine frame
- Can be mounted left-to-right horizontally between front-to-back pairs or from the sides of the ProLine frame
- Can be mounted vertically between horizontally mounted Grid Straps
- Package includes set of two grid straps.

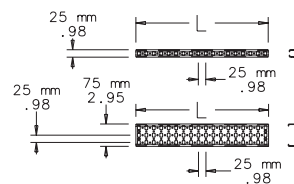
Item number	Hole Pattern	L [mm]	Fits Frame Depth [mm]	Fits Frame Width [mm]
PGH1S4	One Row	242	400	—
PGH1S5	One Row	342	500	—
PGH1S6	One Row	442	600	—
PGH1S7	One Row	542	—	600
PGH1S8	One Row	642	800	—
PGH1S9	One Row	742	—	800
PGH1S11	One Row	942	—	1000
PGH1S13	One Row	1142	—	1200
PGH3S4	Three Row	242	400	—
PGH3S5	Three Row	342	500	—
PGH3S6	Three Row	442	600	—
PGH3S7	Three Row	542	—	600
PGH3S8	Three Row	642	800	—
PGH3S9	Three Row	742	—	800
PGH3S10	Three Row	842	1000	—
PGH3S11	Three Row	942	—	1000
PGH3S12	Three Row	1242	1200	—
PGH3S13	Three Row	1142	—	1200



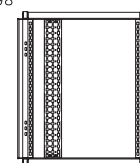
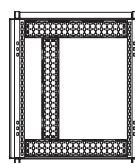
Top View



Front View Horizontal Installation



Side View Vertical and Horizontal Installation

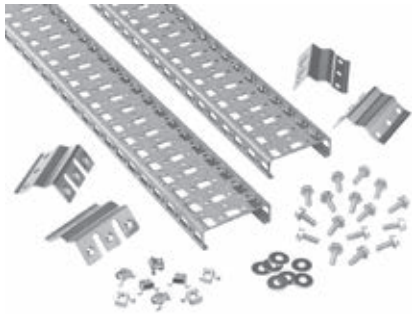


Side View Vertical Installation

87415121

ProLine Rack and Grid/Rail System

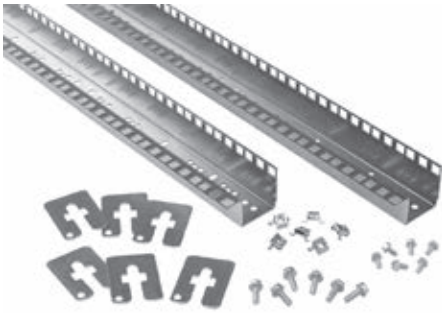
FULL-HEIGHT VERTICAL GRID STRAPS



Grid Straps provide a vertical extension of the frame holes in the sides of the ProLine frame. They are sold in pairs with mounting hardware included. Vertical Grid Straps are 2,0 mm plated steel. Three-row 25 mm hole spacing allows the use of cage nuts or front-loading cage nuts. Package includes set of two grid straps.

Item number	L [mm]	Fits Frame Height [mm]
PGH3S14V	1295	1400
PGH3S16V	1495	1600
PGH3S18V	1695	1800
PGH3S20V	1895	2000
PGH3S22V	2095	2200

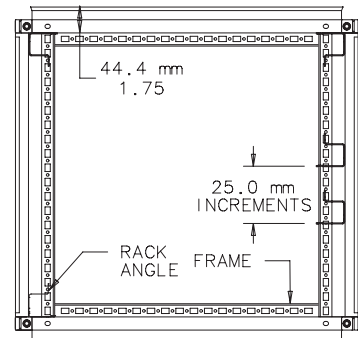
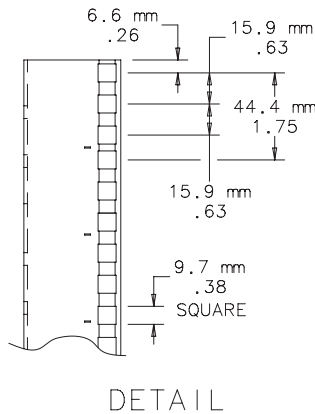
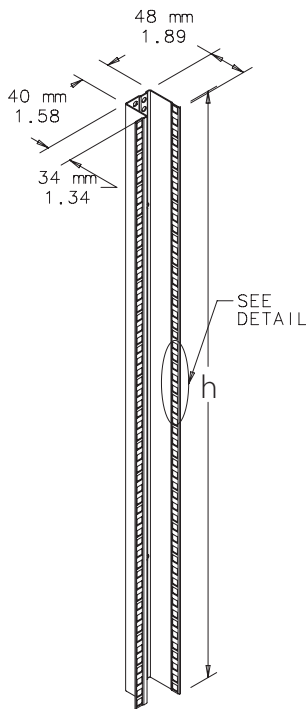
19-IN. RACK ANGLES



Square-Hole Rack Angles are 2,0 mm plated steel designed to accept metric or English cage nuts. 19-in. Rack Angles are fixed directly into a 600 mm wide enclosure frame. To mount 19-in. Rack Angles in 800 mm wide frames, use frame reducing brackets. Package includes set of two 19-in. rack angles.

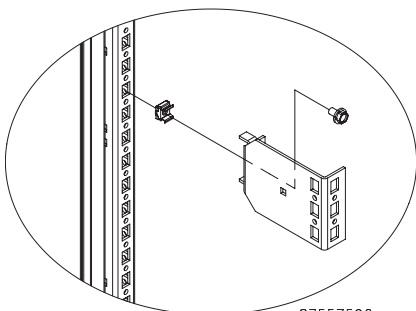
Item number	Hole	h [mm]	Fits Frame [mm]	Rack Units
PRA198TH	Square	712	800	16
PRA1914TH	Square	1290	1400	29
PRA1916TH	Square	1467	1600	33
PRA1918TH	Square	1690	1800	38
PRA1920TH	Square	1867	2000	42
PRA1922TH	Square	2090	2200	47

Vertical holes spaced in 44.5 mm increments.



87932702

FRAME-REDUCING BRACKETS FOR FRAMES OR GRID STRAPS



87557596

Frame-Reducing Brackets mount directly to 800 mm wide ProLine frames or to grid straps. Converts wider frames to 600 mm wide, allowing 19-in. rack angles to fit. Can be used to left- or right-justify the rack-mounted equipment. Furnished in sets of four. 2,0 mm thick plated steel. Mounting hardware is included. Package includes set of four brackets.

Item number	Reduces Frame Width	w [mm]	w (in.)	Converts Frame Width
PRB100	100	100	3.94	From 800 to 600 From 800 to 700

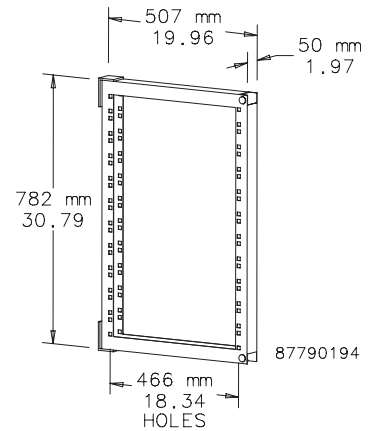
ProLine Rack and Grid/Rail System

PARTIAL SWING-OUT RACK FRAME

This 19-in. Rack Frame is used when a smaller, medium-duty swing-out frame is desired. Light-weight rack equipment fits nicely into this 800 mm tall swing-out frame providing 90 degrees of rotation and increased accessibility.

- Side hinge brackets are used to mount the swing frame, allowing free access above and below the swing frame
- Used with any height enclosure and hinged on the right or left
- Maximum equipment load is 45.4 kg (100 lb.)
- Furnished with hinges, two quarter-turn latches and mounting hardware
- RAL 7035 textured, gray finish
- Complies with ANSI/EIA RS-310-D rack mounting standards

1. *Swing-Out Rack Frame assemblies are supplied with mounting supports.*
2. *Swing-out mounting supports mount to inside of frame at any vertical location.*
3. *Mounting supports and swing-out frame can be located deeper into frame using grid system straps. Deeper mounting affects the degree of opening of swing-out frame*



Item number	Fits Frame Width mm	Rack Units
PSF6	600	16
PSF8	800	16

HEAVY-DUTY SWING-OUT RACK FRAME

- Allows 19-in. rack equipment to pivot out of the enclosure frame for better accessibility; the frames mount on hinges capable of 120-degree rotation; hinges that provide 170-degree rotation are optional
- Spring-loaded pivot post makes installation easy
- Rack Frames are available for 600 and 800 mm wide enclosure frames
- Mounting supports for an 800 mm wide enclosure frame permit you to either center the rack-mounting frame or position it right or left; the frame can also pivot from either the left or the right for maximum flexibility
- Mounting supports can be assembled to the top and bottom of the frame for full-height rack-mounting frames; smaller rack-mounting frames can be mounted to the vertical frame members or to the grid straps; order separately

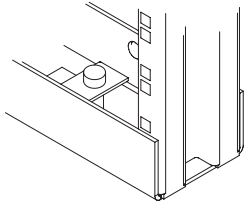
- Furnished with hinges, two quarter-turn latches and mounting hardware RAL 7035 textured gray finish
 - Complies with ANSI/EIA RS-310-D rack-mounting standards
 - Maximum equipment load is 136 kg (300 lb.)
 - Mounting holes accommodate either English or metric cage nuts, which are ordered separately
1. *Swing-Out Rack Frame assemblies are supplied with mounting supports. Swing-Out Rack Frames can also be installed in right, left or both bays of 1200 mm wide frames using center uprights.*
 2. *Swing-out mounting supports mount to inside of frame at any vertical location.*
 3. *Mounting supports and swing-out frame can be located deeper into frame using grid system straps. Deeper mounting affects the degree of opening of swing-out frame.*

Item number	Fits Frame Height [mm]	Fits Frame Width [mm]	h [mm]	w [mm]	Rack Units
PSF146	1400 or taller	600	1215	496	25
PSF148	1400 or taller	800	1215	496	25
PSF168	1600 or taller	800	1438	496	30
PSF186	1800 or taller	600	1615	496	34
PSF188	1800 or taller	800	1615	496	34
PSF206	2000 or taller	600	1838	496	39
PSF208	2000 or taller	800	1838	496	39
PSF226	2200 tall	600	2015	496	43
PSF228	2200 tall	800	2015	496	43

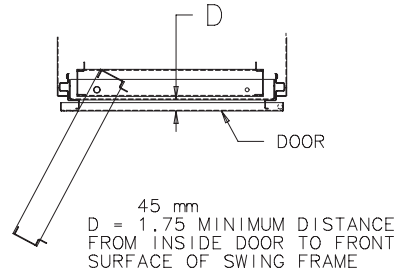
ProLine Rack and Grid/Rail System

HEAVY-DUTY SWING-OUT RACK FRAME

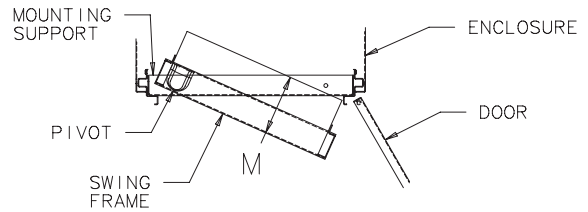
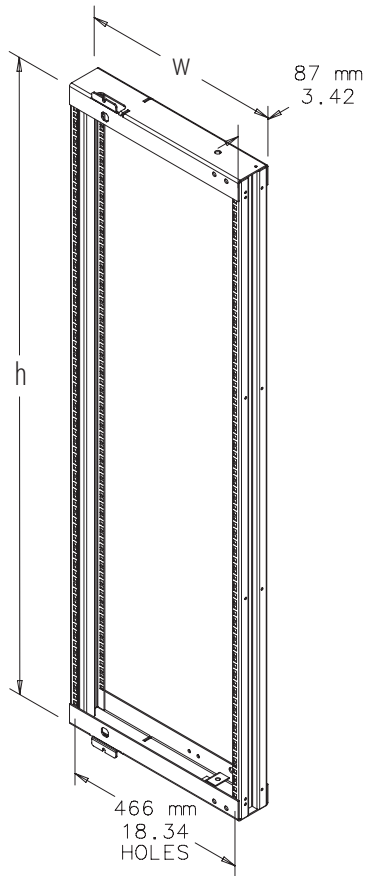
Standard 120° Frame Hinging



120° Mounting Position

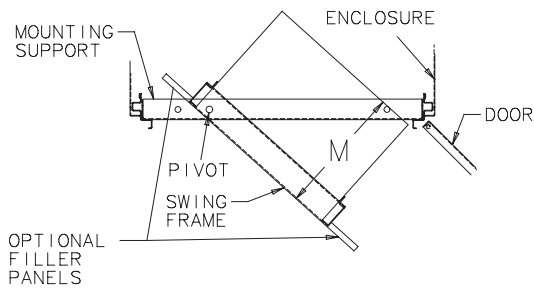


Maximum Installation Depth for 600 mm Wide Enclosures



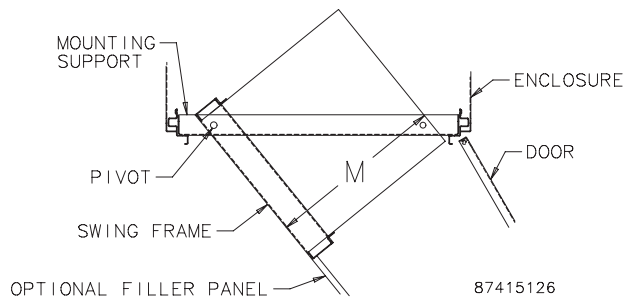
M = Max Installation Depth = 216 mm (8.50 in.)

Maximum Installation Depth for 800 mm Wide Enclosures



Center Position

M = Max Installation Depth = 394 mm (15.50 in.)



Side Position

M = Max Installation Depth = 514 mm (20.25 in.)

ProLine Rack and Grid/Rail System

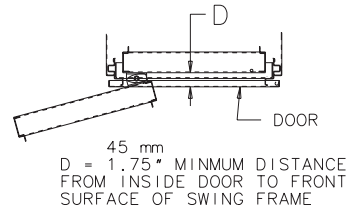
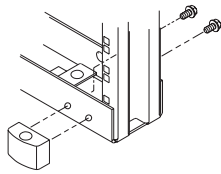
170-DEGREE HINGE KIT

Use this kit in conjunction with the Heavy-Duty Swing-Out Frame. It provides increased accessibility to the back of rack equipment.

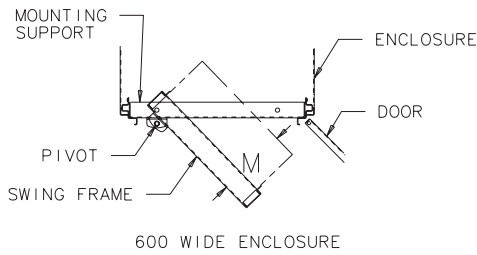
Item number	Length [mm]
PSF170K	600, 700 and 800



Optional 170° Frame Hinging

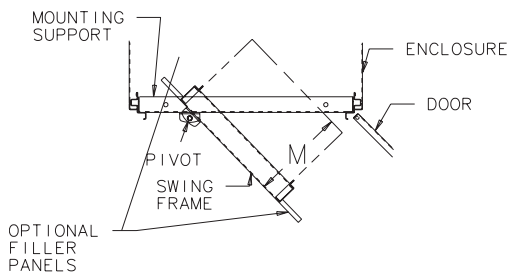


Maximum Installation Depth for 600 mm Wide Enclosures

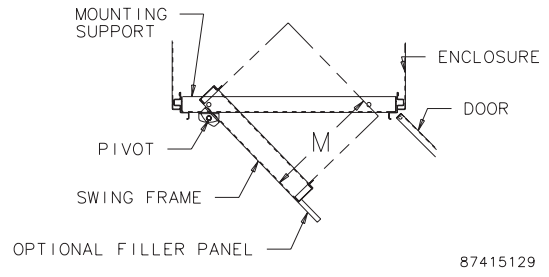


M = Max. Installation Depth = 165 mm (6.50 in.)

Maximum Installation Depth for 800mm Wide Enclosures

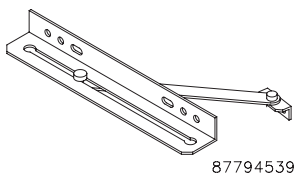


M = Max. Installation Depth = 349 mm (13.75 in.)



M = Max. Installation Depth = 488 mm (19.25 in.)

STOP ARM KIT

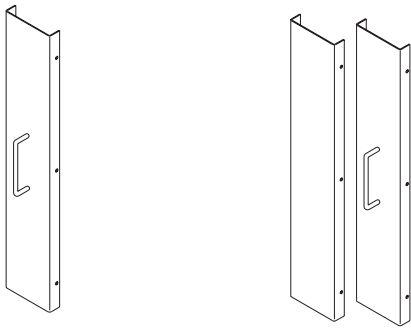


Used with Heavy-Duty Swing-Out Rack Frames to lock the frame in the open position. Consists of stop arm and mounting hardware.

Item number	Length [mm]
PSAK120	120-degree Stop Arm Kit
PSAK170	170-degree Stop Arm Kit

ProLine Rack and Grid/Rail System

FILLER PANEL KIT



87415128

Used when mounting Heavy-Duty Swing-Out Rack Frames in 800 mm wide frames. The Filler Panel occupies the extra space between the frame and the swing frame. Includes a handle and all the hardware for mounting to the Swing-Out Rack Frame.

Item number	Swing Frame Height	Enclosure Width	Mounting
PFPK188LR	1800	800	Left or Right
PFPK188C	1800	800	Center
PFPK208LR	2000	800	Left or Right
PFPK208C	2000	800	Center
PFPK228LR	2200	800	Left or Right

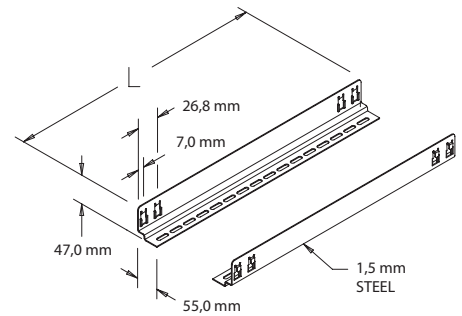
GUIDES



Equipment Guides help support rack-mounted equipment during installation. Guides mount between two pairs of rack angles. Slotted holes are provided for vertical or lateral adjustment. Guides have plated finish. Mounting hardware included. Can be installed on 19-in. rack angles. Package includes set of two guides.

Rack accessories that are shorter than the enclosure depth can be mounted to rack angles or frame accessory brackets attached to grid straps. Order these items separately.

Item number	L [mm]	Frame Depth [mm]
PG4	217	400
PG5	317	500
PG6	417	600
PG8	617	800



87415141

RACK PANEL



Rack Panels are 2,5 mm steel and finished in RAL 7035 textured light-gray polyester powder paint. All panels are flat with oblong holes positioned at EIA standard spacing.

Mounting hardware is sold separately.

Item number	Rack Angle Size	Rack Units
P19RP1UP	19 in	1
P19RP2UP	19 in.	2
P19RP3UP	19 in.	3
P19RP4UP	19 in.	4



Our powerful portfolio of brands:

CADDY ERICO HOFFMAN RAYCHEM SCHROFF TRACER