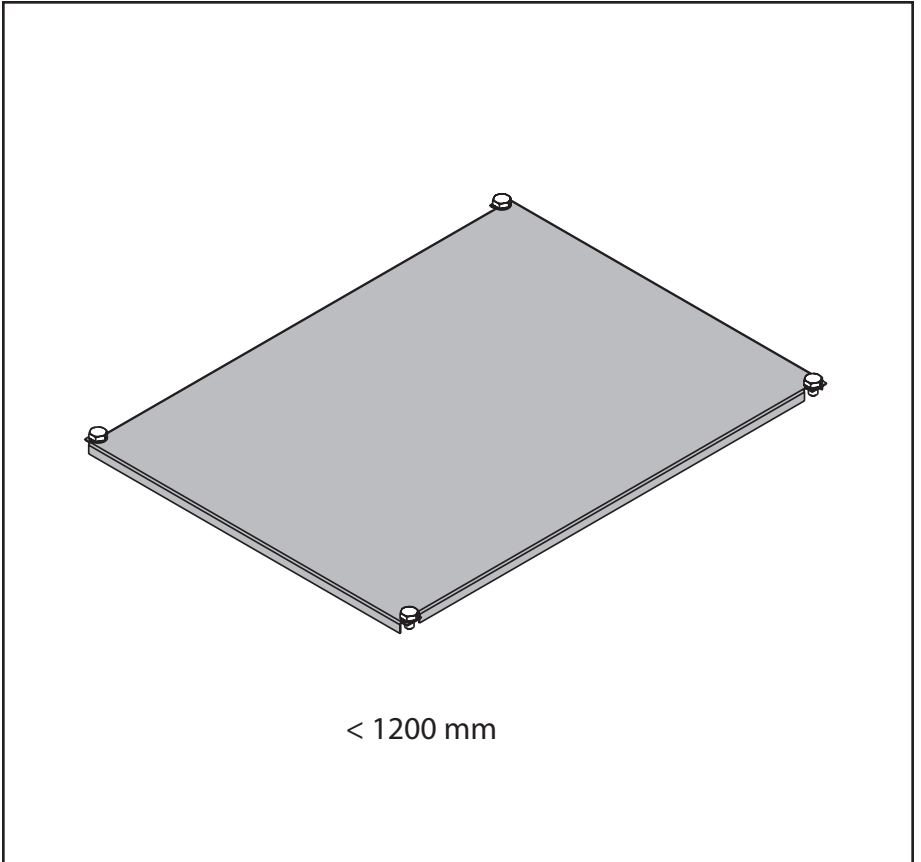




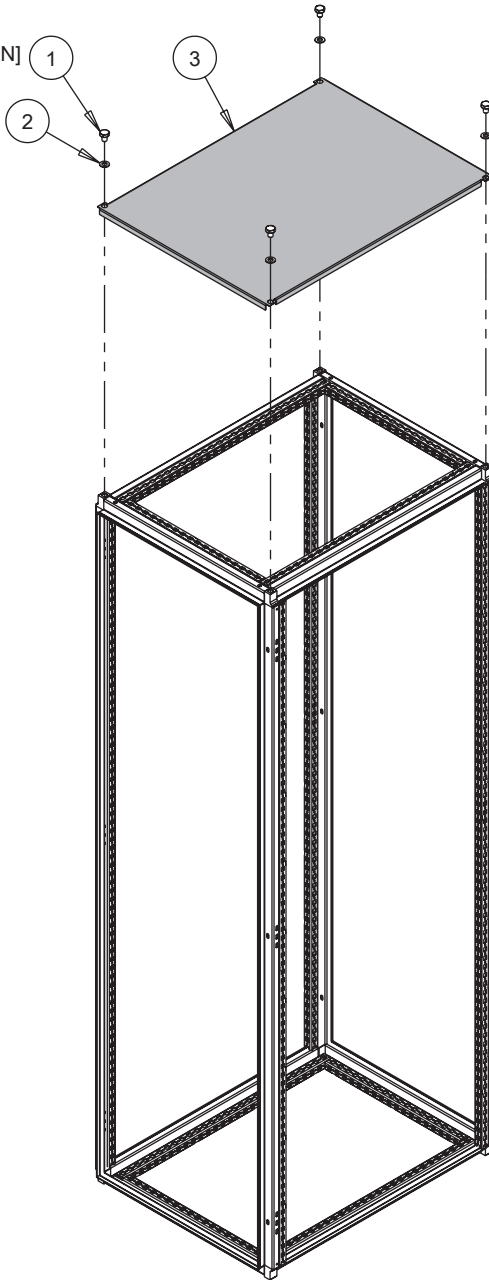
HOFFMAN

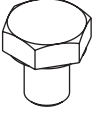

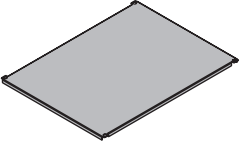
PROLINE G2

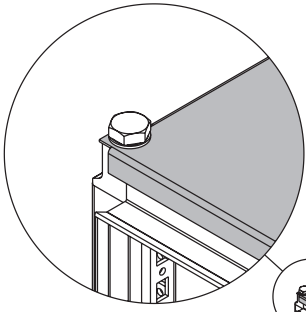


< 1200 mm

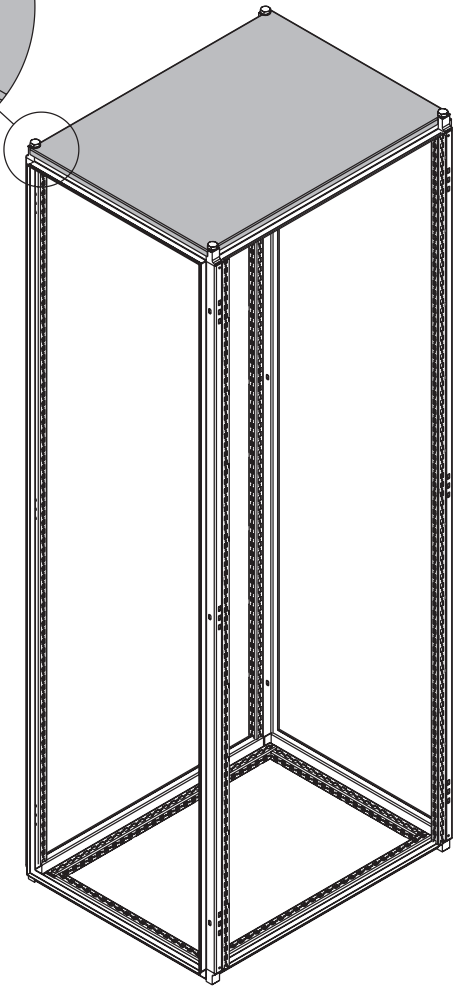
6.8 ± 0.7 N*M
[60 ± 6.0 LBF*IN]



<p>1</p> <p>M12-1.75X12</p>  <p>(4x)</p>	<p>2</p> <p>M12</p>  <p>(4x)</p>	<p>3</p>  <p>(1x)</p>
---	---	--



4X





HOFFMAN