

ProLine

PROLINE-PC, TYPE 12



INDUSTRY STANDARDS

UL 508A Listed; Type 12; File Number E61997
 cUL Listed per CSA C22.2 No 94; Type 12; File Number E61997

NEMA/EEMAC Type 12
 CSA File Number 42186: Type 12
 VDE IP55
 IEC 60529, IP55



APPLICATION

ProLine-PC Modular Enclosures offer effective protection for computer monitors, keyboards, CPUs, printers and other peripheral equipment in industrial environments.

STANDARD PRODUCT MILD STEEL

Item number	Size H x W x D [mm]	M [mm]	N [mm]	P [mm]	R [mm]	Top Door Opening, Height [mm]	Top Door Opening, Width [mm]	Bottom Door Opening, Height [mm]	Bottom Door Opening, Weight [mm]
PPC1666	1688 x 608 x 599	343	366	586	1363	558	536	739	536
PPC1668	1688 x 608 x 799	343	366	586	1363	558	536	739	536
PPC1866	1888 x 608 x 599	343	366	786	1463	758	536	739	536
PPC1868	1888 x 608 x 799	343	366	786	1563	958	536	739	536

SCOPE OF DELIVERY

- Frame
- Solid sides
- Solid top
- 100 mm solid base
- 3 doors
- Keyboard compartment

FEATURES

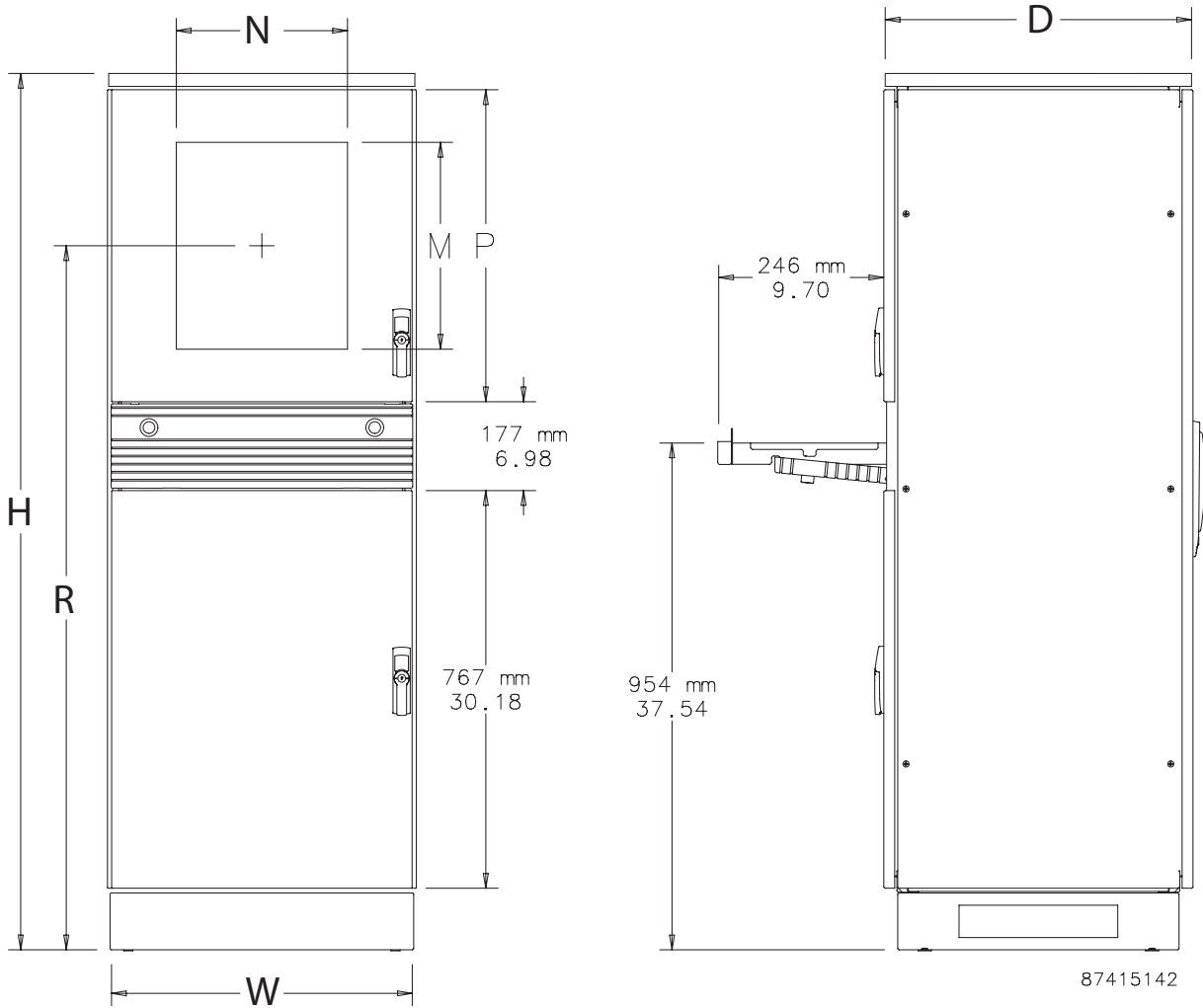
- The frame is enclosed with solid sides, a solid top and a 100 mm solid base.
- Three doors, two in front and one in back, provide convenient access
- The sealed keyboard compartment maintains enclosure integrity when the compartment door is opened
- The ProLine keyboard compartment includes a locking feature, an angled palm rest, a cable access port for wiring and integral mouse pad holders for both left-handed and right-handed people
- The bottom compartment includes a solid door, hinged on the left, that has a small flush swing handle with keylocking. This compartment can be used to install computer equipment, panel-mounted equipment or rack mounted control systems.

SPECIFICATIONS

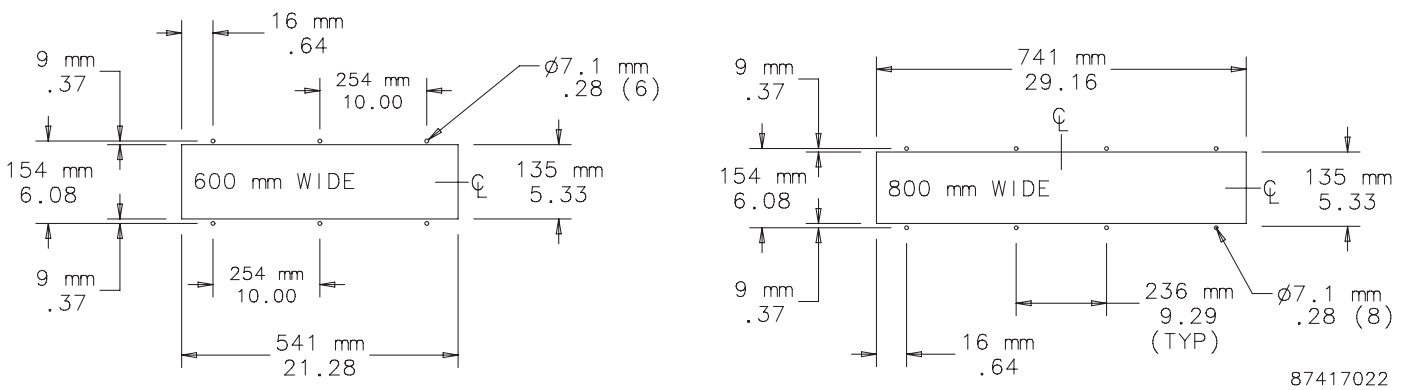
- The 483 mm diagonal top window door, hinged on the left, offers viewing access for a variety of monitor sizes and has a small flush swing handle with keylock for system security
- The vented frame shelf in the top compartment is constructed of 1,5 mm steel and is painted with RAL 7035 textured, light-gray polyester powder paint

ProLine-PC, Type 12

ProLine-PC-Modular Enclosure



Accessory Front Opening Mounting Cutout



Our powerful portfolio of brands:

CADDY ERICO HOFFMAN RAYCHEM SCHROFF TRACER