

Electrical Interlocks



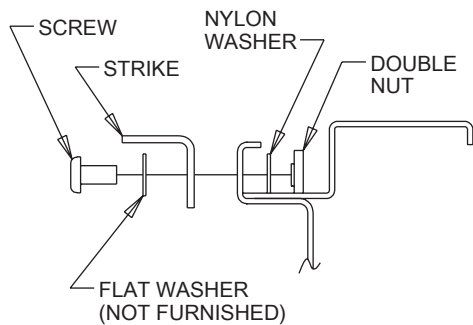
X	Bulletin Number	Enclosure Description
2.12	A4 A12 A13*	NEMA 4 and NEMA 12 Single-Door Enclosures
2.19	A4	Two-Door NEMA 4 Enclosures
3.00	A15*	Flush-Mounted NEMA 12 Single-Door Enclosures (see Detail A)
2.00	A1SM A1M A1L	NEMA 1 when "A" dimension (enclosure height) is less than 30 in. (see Detail B)
1.69	A1SM A1M A1L	NEMA 1 when "A" dimension (enclosure height) is 30 in. or more
2.19	A1SM A1M A1L	Extra Large NEMA 1
1.56	A51CH A51NF A53 A51FL A51 A51A A51S A51SE	Larger sizes of Hinge-Cover JIC Boxes: A51CH: CH and CHS suffix A51NF: CHNF and CHNFS suffix A53: CHEMC suffix A51FL: CHFL suffix A51: CHQR suffix A51A: CHAL suffix A51S: CHNFSS and CHNFSS6 suffix A51SE: CHEMCSS suffix
2.06	A52*	Large JIC Boxes when "B" dimension (enclosure width) is 24 in. or less
2.56	A52*	Large JIC Boxes when "B" dimension (enclosure width) is more than 24 in.

* No longer for sale

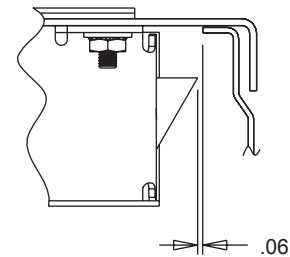
WARNING

To avoid electric shock, do not energize any circuits before all internal and external electrical and mechanical clearances are checked to assure that all assembled equipment functions safely and properly.

This accessory maintains UL/CSA Type 12, 4, 4X when installed per these instructions.
This accessory is covered by UL file E61997 and CSA file LR42186.

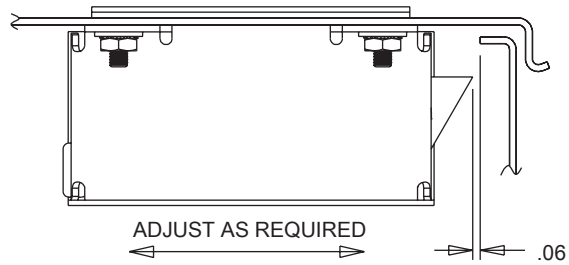
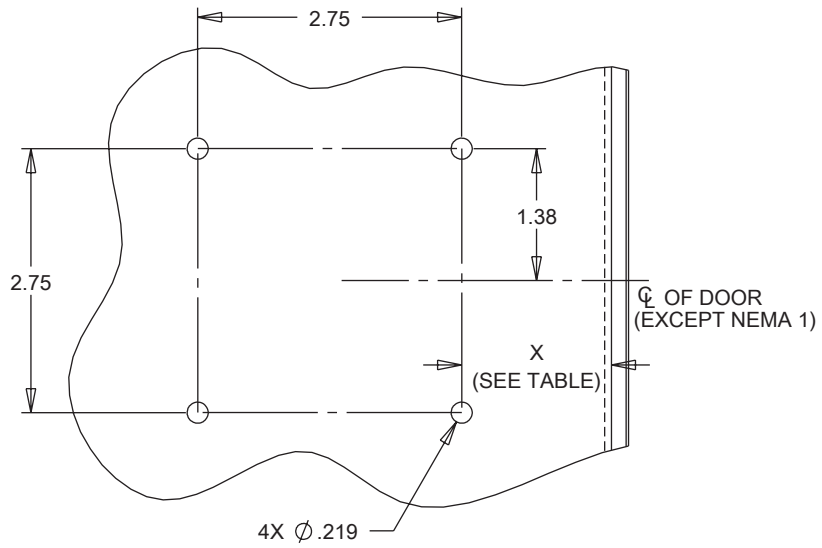


Detail A
Bulletin A15
Flush-Mounted Enclosures

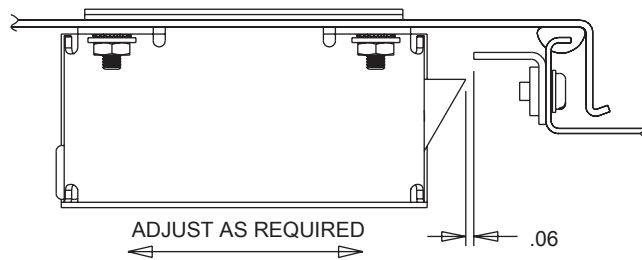
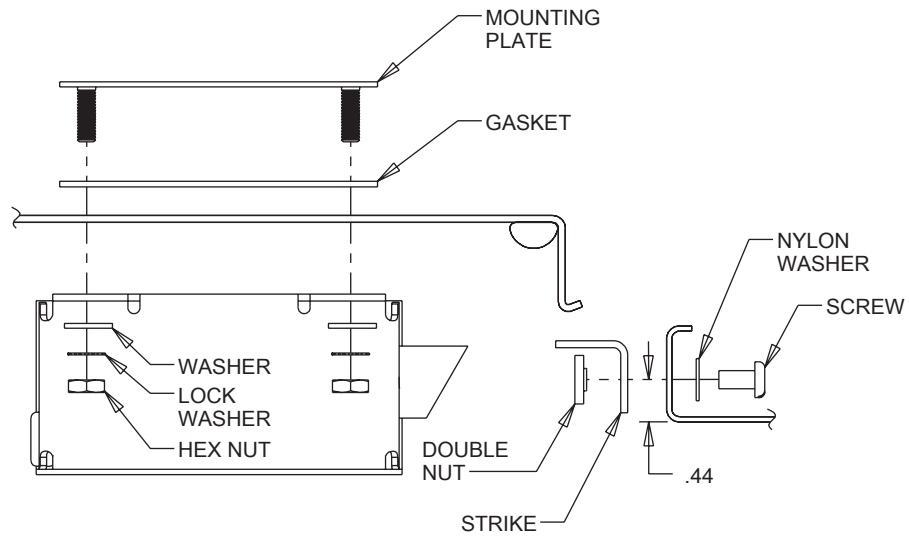
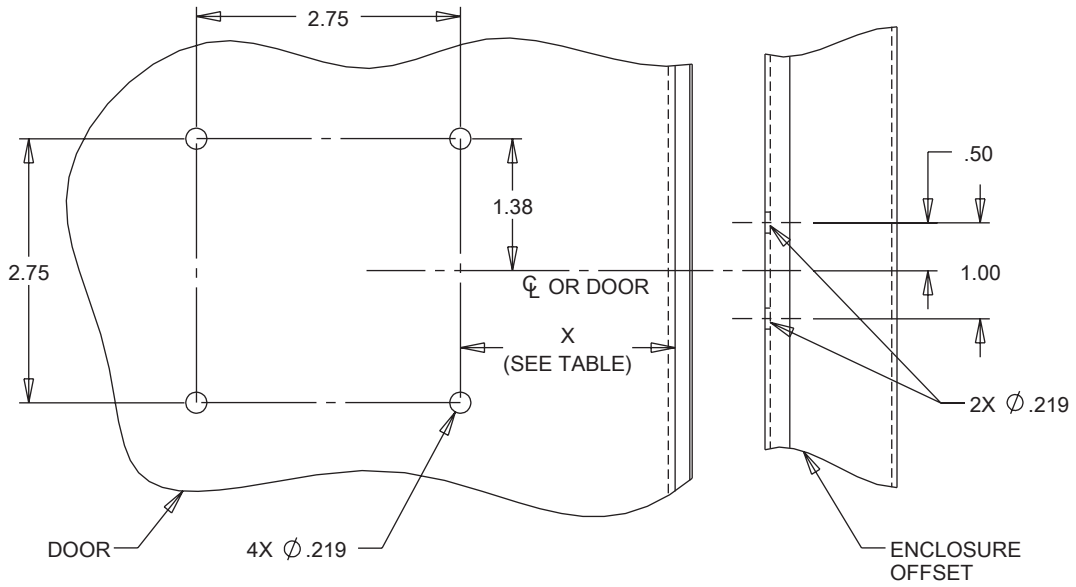


Detail B
Bulletin A1SM, A1M, A1L
NEMA 1 Enclosures

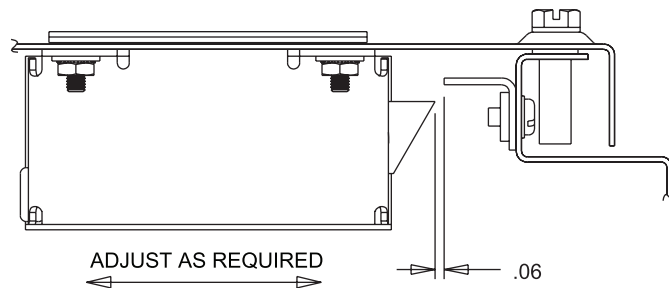
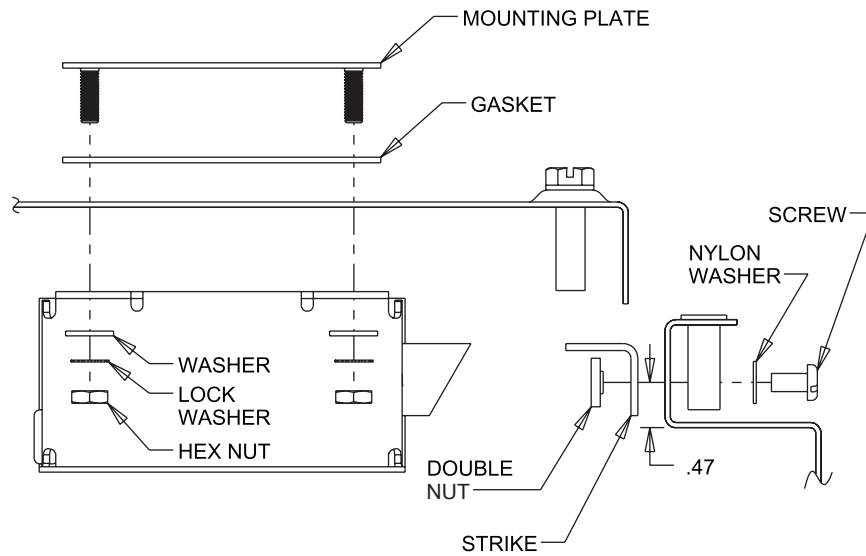
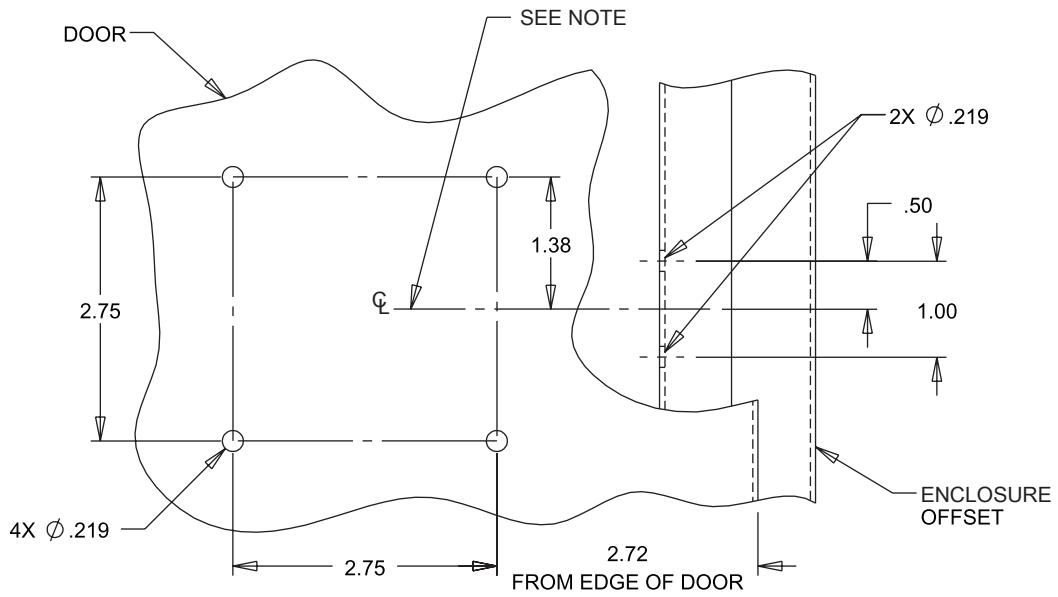
NEMA 1, JIC, AND LARGE JIC ENCLOSURES



NEMA 4 AND NEMA 12 ENCLOSURES



LARGE NEMA 3R ENCLOSURES



CONCEPT ENCLOSURES

