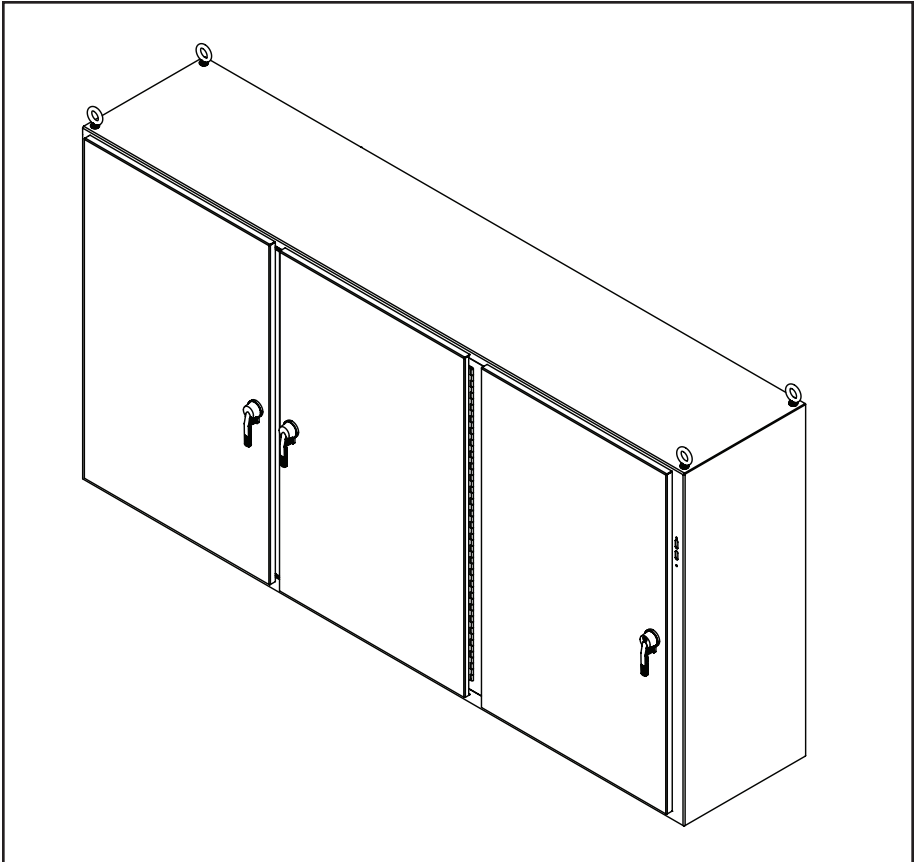




HOFFMAN

A26M1

Single and Multi-Door Disconnect Enclosure



ENCLOSURE ALTERATIONS AND HANDLING

Hoffman cannot assure the safety or effectiveness of any alterations or additions not made by Hoffman Enclosures Inc. However, the following information may be helpful. These instructions do not eliminate the need to consult with equipment manufacturers and to observe all regulatory agency procedures and safe practices to assure the proper electrical and mechanical function of Hoffman products in each particular application.

REPAINTING

See "Instructions for Repainting Hoffman Standard Paint Finishes", part number 23155002. Available at www.hoffmanonline.com.

STRAIGHTENING STUDS WHEN INSTALLING PANEL

Simply position the panel on the studs that line up properly and pry the other studs into position with a suitable screwdriver inserted through the panel holes.

REMOVING HINGE PINS FROM CONTINUOUS HINGES

This operation requires at least two people. It is best accomplished by using a small diameter punch to drive the hinge pin toward the bottom of the enclosure. When the hinge pin protrudes about two inches below the bottom hinge barrel, bend the end of the pin 1805 so it is shaped like the letter "J". Use an electric or air powered vibrating hammer fitted with a tool which has a hole in the end to fit over the hinge pin. Drive the hinge pin out while opening and closing the door. Reinstall the hinge pin, straighten the pin, and drive it in with the vibrating hammer while opening and closing the door. Most hinge pins have one end chamfered; start the chamfered end first when reinstalling the pin.

PRINT POCKET OPTIONS

The print pocket on the door can be inverted or removed entirely.

LIFTING ENCLOSURES BY EYEBOLTS

To lift an enclosure which has eyebolts or mounting feet, use all the eyebolts and top mounting feet provided. Arrange the chains or cables with spreader bars so the chains or cables are lifting straight up from the eyebolts or top mounting feet.

LOCKWASHER USAGE

1. Install the enclosed external toothed lockwasher under one of the nuts securing the panel to ensure bonding between the panel and enclosure.

HUB INSTALLATION

1. Use only CSA approved, watertight, rigid conduit hubs that are designed to fit into standard conduit openings.
2. Conduit entry can be made in the top or bottom end or through the side walls of this enclosure.
3. Use a hole saw or Greenlee-type punch to cut the required holes (see the table below for the hole size and flat surface area required).
4. Install the hub according to the hub manufacturer's instructions.

Trade Size of Conduit	Recommended Diameter of Opening	Recommended Minimum Diameter of Flat Surface
1/2	7/8	1-3/16
3/4	1-3/32	1-1/2
1	1-23/64	1-7/8
1-1/4	1-23/32	2-3/8
1-1/2	1-31/32	2-5/8
2	2-15/32	3-1/4
2-1/2	3	3-3/4
3	3-41/64	4-7/16
3-1/2	4-5/32	4-15/16
4	4-11/16	5-7/16
5	5-25/32	6-3/8
6	6-29/32	8

Units: Inch

Door Catch

Fasten the door catch (furnished by disconnect manufacturer) to the bracket that is fastened to the inside of the Hoffman master door. See manufacturers disconnect instructions to properly adjust door catch with the disconnect operating handle.

