

## ZONEX ATEX, IECEx, TYPE 4X, SCREW COVER, EXE DESIGN



### INDUSTRY STANDARDS

#### ATEX Directive 2014/35/EU

#### ATEX

Sira 09ATEX3224U  
 2813 Ex II 2 G D  
 Ex eb Gb  
 Ex tb IIIC Db IP 66  
 EN60079-0  
 EN60079-7  
 EN60079-31

#### IECEx

IECEx SIR 09.0099U  
 Ex eb IIC Gb  
 Ex tb IIIC Db IP 66  
 IEC 60079-0  
 IEC 60079-7  
 EN 60079-31

Type 4, 4X, 12; File No. E61997  
 cUL C22.2 No. 94 Listed; Type 4, 4X, 12; File No. E61997

NEMA/EEMAC Type 4, 4X, 12  
 IEC 60529, IP66

### APPLICATION

ZONEX Enclosures are designed and certified to meet ATEX Directive 2014/35/EU and IECEx standard for increased safety in housing electrical components in Zone 1 and Zone 2 applications.

**Hoffman's ATEX Ex e enclosures are not intended for use in explosion-proof or flame-proof applications.**

### FEATURES

- 1-piece continuous gasket on door; Type 316 stainless steel cover screws
- Internal weldnuts for panel or DIN rail mounting
- Hardware for panel and bonding provisions included
- Operating temperature range: -40 C to +70 C standard polyurethane gasket; -55 C to +180 C optional silicone gasket

### SPECIFICATIONS

- Fabricated from Type 316 stainless steel
- Full-width welded-on top and bottom wall-mounting brackets
- Increased safety: Ex e. ATEX and IECEx certified

### FINISH

#4 brushed finish on external surfaces

### ACCESSORIES

Panels  
 Hazardous Location Hole Seals  
 Hazardous Location Breather Drains

### NOTES

Intrinsically safe terminal blocks can be installed in populated non-standard enclosures.

IECEx populated enclosures require IECEx-certified components specifically listed in Certification (See IECEx SIR 09.0100 for more detail).

### MODIFICATION AND CUSTOMIZATION

Hoffman excels at modifying and customizing products to your specifications. Hoffman offers a ZONEX-specific modification program with certification. Contact your local Hoffman sales office or distributor for complete information.

Material changes: Type 304 stainless steel, painted mild steel or aluminum

Gasket changes: High-temperature silicone gasket

Holes and cutouts

Paint

DIN rails

Ground bars

Terminal block installation and marking

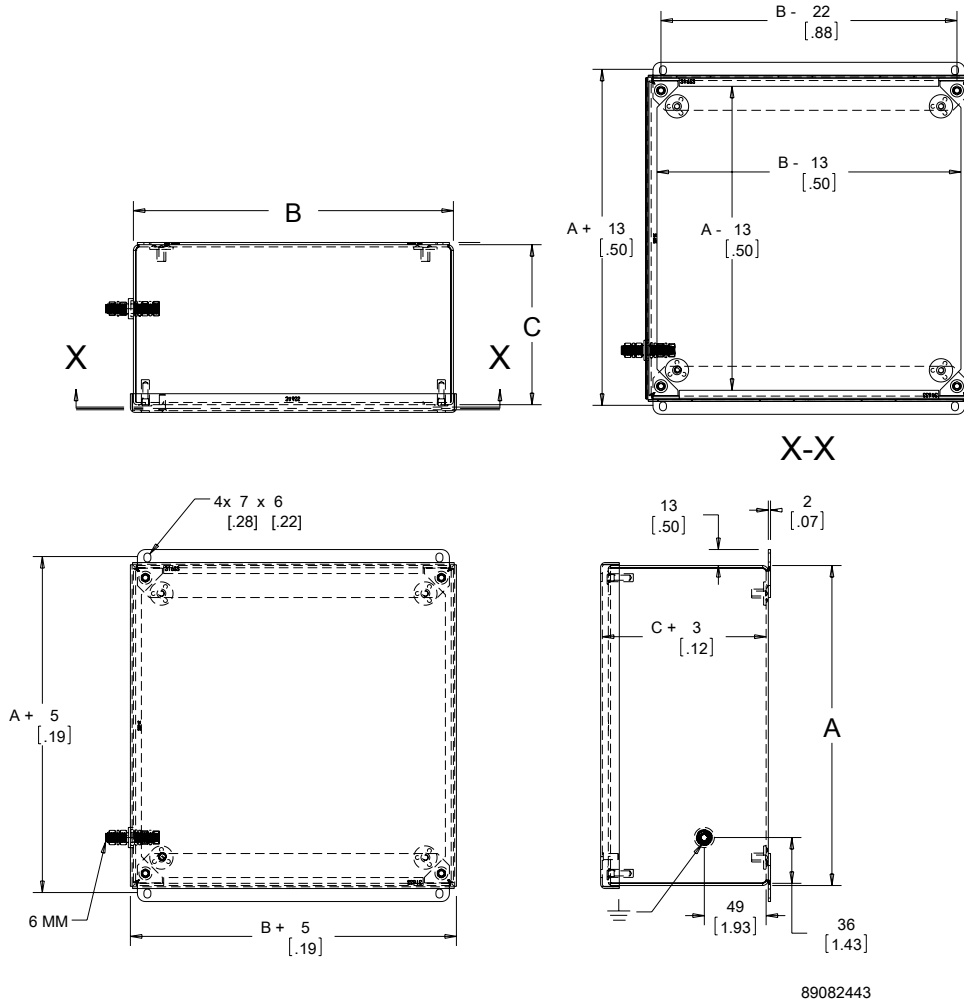
Tagging

**BULLETIN: HL**

Standard Product

Catalog Number	AxBxC mm	AxBxC in.	Optional Panel	Panel Dimensions (mm)	Panel Dimensions (in.)
EXE443SS6	102 x 102 x 76	4.00 x 4.00 x 3.00	A4P4G	73 x 73	2.88 x 2.88
EXE664SS6	152 x 152 x 102	6.00 x 6.00 x 4.00	A6P6G	124 x 124	4.88 x 4.88
EXE774SS6	178 x 178 x 102	7.00 x 7.00 x 4.00	A7P7G	149 x 149	5.88 x 5.88
EXE965SS6	216 x 146 x 127	8.50 x 5.75 x 5.00	A9P6G	187 x 118	7.38 x 4.63
EXE10105SS6	254 x 254 x 127	10.00 x 10.00 x 5.00	A10P10G	222 x 226	8.75 x 8.88

AxBxC dimensions for EXE965SS6 are nominal.



**ATEX DIRECTIVE AND CLASSIFICATION SYSTEM**

Since 2003, manufacturers across the European Union (EU) have been obliged to comply with strict new EU directives governing safety in explosive atmospheres. Called ATEX (from the French ATmosphères EXplosives), ATEX Directive 2014/35/EU has an impact not only on European manufacturers, but also on non-European makers of industrial equipment wishing to sell in Europe.

Two of the most common classification systems for hazardous locations are the NEC Division Classification system and the Zone Classification system used by the European Union (EU) and the International Electrotechnical Commission (IEC).

Article 500 of the NEC also classifies hazardous locations according to the properties of the flammable vapors, liquids or gases, or according to the combustible dusts or fibers that may be present and the likelihood that a flammable or combustible concentration or quantity is present. Articles 505 and 506 of the NEC refer to zone classifications. Refer to the Technical Information section of the Specifier’s Guide for specific definitions and additional information.

**Hoffman’s ATEX enclosures are not intended for use in explosion-proof or flame-proof (Ex d) applications.**

NEC Divisions and IEC Zones (Not Interchangeable)

Frequency of Hazard Occurrence	NEC Division Classification System	EU and IEC Zone Classification System
Continuous Hazard	Division 1	Zone 0
Intermittent, Periodic Hazards	Division 1	Zone 1
Abnormal Condition Hazard	Division 2	Zone 2