

REMOVABLE HINGE WITH QUARTER-TURN LATCH, CONTOURED, TYPE 12

APPLICATION

Made out of drawn steel, this hinged cover junction box offers rounded corners and smooth construction. It can be used in applications where a panel for mounting of controls is desired and protection of equipment from indoor contaminants is required.

SPECIFICATIONS

- Drawn 16 gauge steel
- No welded seams or sharp corners
- Removable door with unique lift-off hinges
- Oil-tight quarter-turn slotted latches
- Oil-resistant gasket
- Weldnuts provided for mounting optional panels
- Bonding provision on door

FINISH

ANSI 61 gray polyester powder paint inside and out

ACCESSORIES

Panels for Junction Boxes
 Handle Kit
 Mounting-Bracket Kits
 Terminal Block Kit Assembly for Junction Boxes Overview
 Steel and Stainless Steel Window Kits

MODIFICATION AND CUSTOMIZATION

Hoffman excels at modifying and customizing products to your specifications. Contact your local Hoffman sales office or distributor for complete information.

INDUSTRY STANDARDS

UL 508A Listed; Type 12; File No. E61997
 cUL Listed per CSA C22.2 No. 94; Type 12; File No. E61997

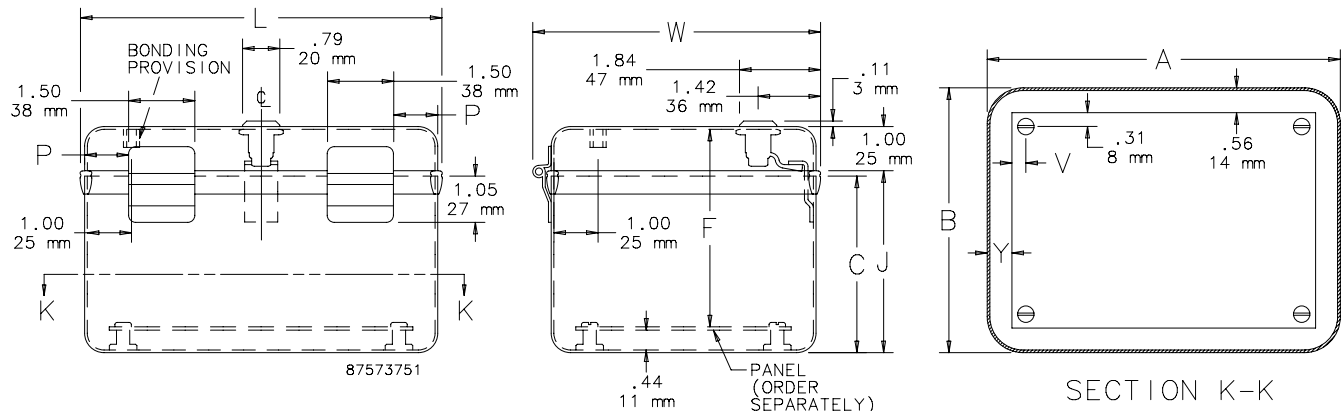
NEMA/EEMAC Type 12
 IEC 60529, IP55

BULLETIN: A51

Standard Product

Catalog Number	AxBxC in./mm	Panel	Conductive Panel	Panel Size in./mm	Overall L x W in./mm	F in./mm	J in./mm	P in./mm	V in./mm	Y in./mm
D664IS	6.00 x 6.00 x 4.00 152 x 152 x 102	A6P6	A6P6G	4.88 x 4.88 124 x 124	6.09 x 6.45 155 x 164	4.53 115	4.08 104	1.12 28	0.31 8	0.56 14
D864IS	8.00 x 6.00 x 4.00 203 x 152 x 102	A8P6	A8P6G	6.75 x 4.88 171 x 124	8.09 x 6.45 205 x 164	4.53 115	4.08 104	1.12 28	0.25 6	0.62 16
D1084IS	10.00 x 8.00 x 4.00 254 x 203 x 102	A10P8	A10P8G	8.75 x 6.88 222 x 175	10.09 x 8.45 256 x 215	4.53 115	4.08 104	1.12 28	0.25 6	0.62 16
D12104IS	12.00 x 10.00 x 4.00 305 x 254 x 102	A12P10	A12P10G	10.75 x 8.88 273 x 226	12.09 x 10.45 307 x 265	4.53 115	4.08 104	1.25 32	0.25 6	0.62 16
D666IS	6.00 x 6.00 x 6.00 152 x 152 x 152	A6P6	A6P6G	4.88 x 4.88 124 x 124	6.09 x 6.45 155 x 164	6.53 166	6.08 154	1.12 28	0.31 8	0.56 14
D866IS	8.00 x 6.00 x 6.00 203 x 152 x 152	A8P6	A8P6G	6.75 x 4.88 171 x 124	8.09 x 6.45 205 x 164	6.53 166	6.08 154	1.12 28	0.25 6	0.62 16
D1086IS	10.00 x 8.00 x 6.00 254 x 203 x 152	A10P8	A10P8G	8.75 x 6.88 222 x 175	10.09 x 8.45 256 x 215	6.53 166	6.08 154	1.12 28	0.25 6	0.62 16
D12106IS	12.00 x 10.00 x 6.00 305 x 254 x 152	A12P10	A12P10G	10.75 x 8.88 273 x 226	12.09 x 10.45 307 x 265	6.53 166	6.08 154	1.25 32	0.25 6	0.62 16
D12108IS	12.00 x 10.00 x 8.00 305 x 254 x 203	A12P10	A12P10G	10.75 x 8.88 273 x 226	12.09 x 10.45 307 x 265	8.53 217	8.08 205	1.25 32	0.25 6	0.62 16

Purchase panels separately. Optional stainless steel, conductive, composite and aluminum panels are available for most sizes.

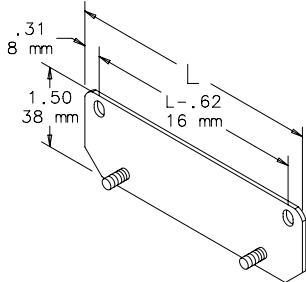


MOUNTING-BRACKET KITS



Includes two 14 gauge steel external mounting brackets and fasteners. Sealing washers are provided to maintain Type 12 rating after installation. Clear plated finish. Requires drilling holes in the enclosure. Mounting template is provided.

BULLETIN: A80



87574633

Catalog Number	Use On
DMFK1	Instrumentation enclosures D664IS through D1086IS
DMFK2	Instrumentation enclosures D12104IS through D12108IS