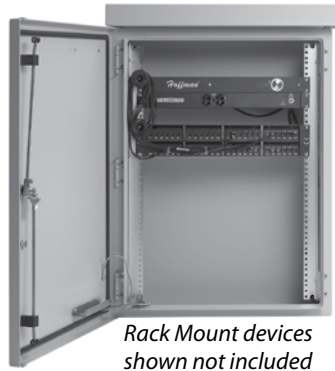


COMLINE OSP PACKAGE, TYPE 4X



INDUSTRY STANDARDS

UL 508A Listed; Type 3, 3R, 4, 4X, 12; File No. E61997

CSA: Type 3, 3R, 4, 4X, 12
 NEMA/EEMAC Type 3, 3R, 4, 4X, 12
 EC60529, IP66
 Designed to meet Telcordia NEBS GR-487, GR-63 and IEC 48D
 EIA 310-D with 19 in. spacing for rack equipment
 Meets BICSI TDMM, Tenth Edition, Chapter 7, Telecommunication Enclosures (TE)
 Cabinet is RoHS compliant
NEBS is a trademark of Telcordia

APPLICATION

A complete, off-the-shelf package for 19-in. rack equipment, lightweight COMLINE OSP Wall-Mount Cabinets are constructed of corrosion-resistant aluminum with a foam-in-place gasket that secures and protects sensitive equipment in outdoor applications. Available with or without back-up battery compartment.

FEATURES

- Solar shield helps keep enclosure interior cool when cabinet is installed outdoors and directs liquids away from cabinet opening; can be removed for indoor installations
- Foam-in-place gasket provides environmental seal
- Padlocking L-Handle provides a tight, secure door seal
- Doorstop holds door in place during service for easier and faster maintenance

- Heavy-duty hinged door is easily removed to facilitate equipment installation and removal. Maximum door load 50 lb. (22.7 kg)
- Rack angles adjustable front-to-rear of cabinet
- Gland plates available with cutouts that fit Hoffman T15, T20 and CR23 air conditioners and Hoffman XR20 and XR29 heat exchangers (Indoor use only)
- Radius corners on cabinet eliminate sharp edges
- Stainless steel fasteners resist corrosion to maintain professional appearance
- Pole mounting kits available for all sizes
- Pad mounting plinth available for 600mm deep cabinets
- Battery compartment has front vented captivated door.
- **Note – SR20 and SR29 are for indoor use only.**

SPECIFICATIONS

- Rack angles have EIA universal standard square hole spacing
- Eighth-inch thick, depending on cabinet size
- Seams continuously welded and ground smooth for a finished appearance
- Body includes studs for ground bar and rear mounting studs for wood panel

FINISH

RAL 7035 light-textured low-gloss polyester urethane powder coating over iron-phosphate-treated surface. Custom finishes available: consult your local Hoffman sales office.

BULLETIN: DCOM

Standard Product **COMLINE Wall-Mount Enclosure Packages**

Catalog Number	AxBxC in.	AxBxC mm	P (in.)	P (mm)	Rack Units
ECL606050P	23.62 x 23.62 x 19.68	600 x 600 x 500	17.47	444	12
ECL906050P	35.43 x 23.62 x 19.68	900 x 600 x 500	30.47	774	18
ECL907060P	35.43 x 27.56 x 23.62	900 x 700 x 600	30.47	774	18
ECL1207060P	47.24 x 27.56 x 23.62	1200 x 700 x 600	30.47	774	25

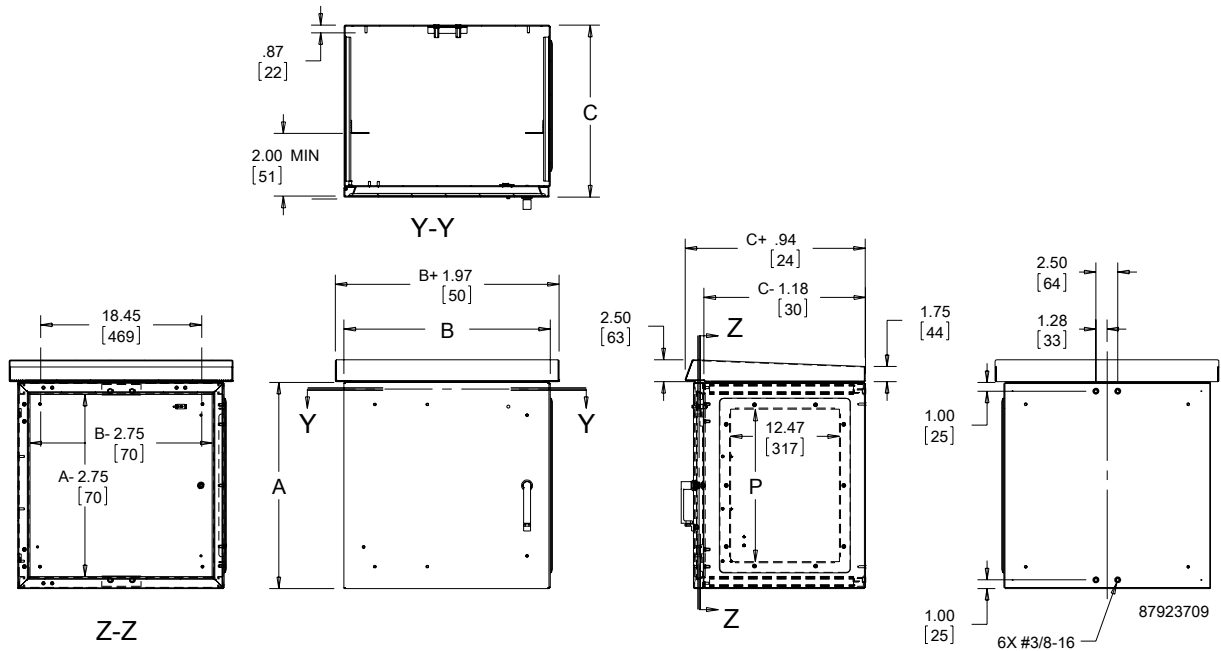
Standard Product **COMLINE with Battery Compartment**

Catalog Number	AxBxC in.	AxBxC mm	Rack Units
ECL606050PB	38.62 x 23.62 x 19.69	981 x 600 x 500	12
ECL906050PB	50.43 x 23.62 x 19.69	1281 x 600 x 500	18
ECL907060PB	50.43 x 27.56 x 23.62	1281 x 700 x 600	18
ECL1207060PB	62.24 x 27.56 x 23.62	1581 x 700 x 600	25

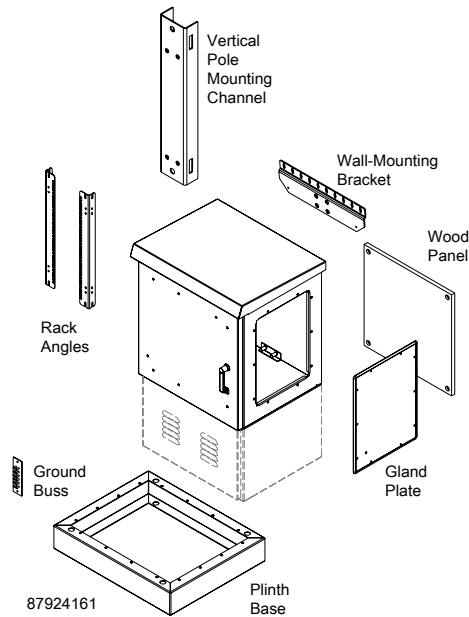
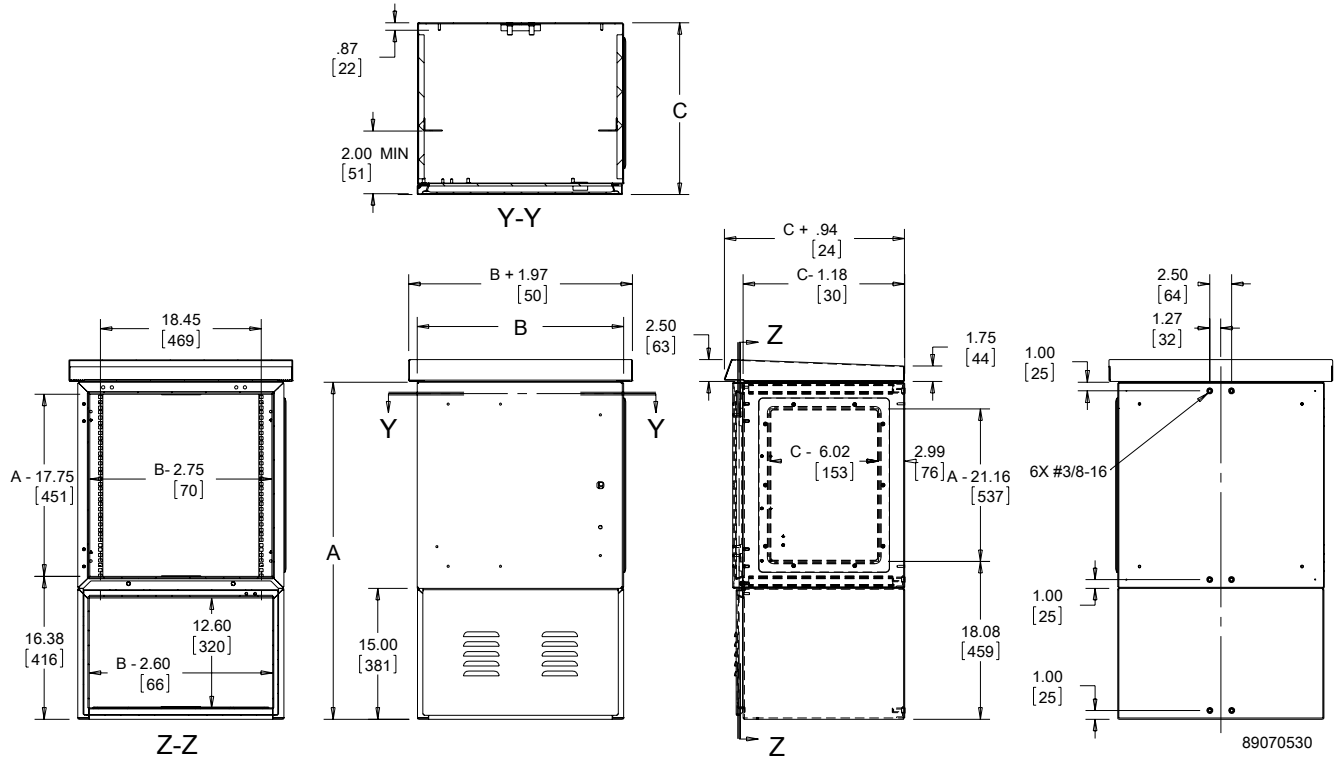
Accessory Compatibility

Catalog Numbers	ECL606050P/B	ECL906050P/B	ECL907060P/B	ECL1207060P/B
GLAND PLATES				
EGPS1	•			
EGPS2		•	•	•
EGPACT15	•			
EGPACT20		•	•	•
EGPACCR15		•	•	•
EGPHX20		•	•	•
EGPHX29		•	•	•
POLE MOUNT CHANNELS				
EPMC6	•			
EPMC9		•	•	
EPMC12				•
PLINTH BASE				
EPL7060			•	•
WOOD PANELS				
E60P60W	•			
E90P60W		•		
E90P7W			•	
E120P70W				•
RACK ANGLES				
ERA196S	•			
ERA199S		•		
ERA19239S			•	
ERA192312S				•

COMLINE OSP Package Without Battery Compartment



COMLINE OSP Package With Battery Compartment



RACK ANGLES

Rack Angles are made of 12 gauge, self-grounding plated steel and are grounded to the cabinet body through the mounting bolts. Square mounting holes meet EIA standard.

Package includes two rack angles.

BULLETIN: DCOMY

Catalog Number	Rack Width	Rack Units	Use with Cabinet (Height x Width in mm)
ERA196S	19	12	600 x 600
ERA199S	19	18	900 x 600
ERA19239S	19 or 23	18	900 x 700
ERA192312S	19 or 23	25	1200 x 700

VERTICAL POLE-MOUNT CHANNEL

Vertical Pole-Mount Channel facilitates pole-mounting the COMLINE package. It includes the bracket and hardware to mount the channel to the cabinet. No drilling into cabinet required to install.

BULLETIN: DCOMY

Catalog Number	Description	Use with Cabinet
EPMC6	Vertical Pole-Mount Channel 600	600-mm tall
EPMC9	Vertical Pole-Mount Channel 900	900-mm tall
EPMC12	Vertical Pole-Mount Channel 1200	1200-mm tall

WOOD PANEL

Wood Panels are made of 3/4-in. plywood, pre-cut and pre-drilled to install on panel mounting studs in the rear of the cabinet.

BULLETIN: DCOMY

Catalog Number	Height x Width	Use with Cabinet (Height x Width)
E60P60W	524 x 524	600 x 600
E90P60W	824 x 524	900 x 600
E90P70W	824 x 624	900 x 700
E120P70W	1124 x 624	1200 x 700

GLAND PLATE

Gland Plates are made of .100-in.-thick aluminum, finished to match the cabinet. They include a factory-installed foam-in-place gasket, stainless steel hardware and grounding provision. The installed gland plate maintains the cabinet rating.

Package includes solid gland plate.

BULLETIN: DCOMY

Catalog Number	Description	Nominal Height x Width (P x Q)
EGPS1	Solid small	506 x 381
EGPS2	Solid large	838 x 381
EGPACT15	AC cutout for T15	506 x 381
EGPACT20	AC cutout for T20	838 x 381
EGPACCR23	AC cutout for CR23	838 x 381
EGPHX20	Heat exchanger cutout for XR20 and XR2908	838 x 381
EGPHX29	Heat exchanger cutout for XR2918	838 x 381

XR20 and XR29 indoor use only.

PLINTH BASE

The Plinth Base enables pad mounting and provides additional cable management space. It adds an additional 5.00-in. (127-mm) height to the cabinet. The base is made of aluminum painted RAL 7035 light gray.

BULLETIN: DCOMY

Catalog Number	Description	Use with Cabinet (Width x Depth)
EPL7060	Plinth base	700 x 600

GROUND BUSS

This copper Ground Buss provides wiring tie points within the cabinet. Mounts on studs provided on cabinet side. Tie-point spacing is 3/4-in. pair-to-pair and 5/8-in. across each pair. Ground studs are 1/4-20 x .75-in. on 3/4-in. centers.

BULLETIN: DCOMY

Catalog Number	Description
EGBB1	6-position, double-lug buss
EGBB2	12-position, double-lug buss

HANDLE OPTIONS

Handle Options can be padlocked for added security. Kit includes handle and mounting hardware. Install using existing enclosure cam.

BULLETIN: A80, DCOMY

Catalog Number	Description
ELHP	Padlocking L-Handle
EPL4	Padlocking quarter-turn with key
DL36	Locking wing nut with 2 keys, silver finish



CLIP NUT PACKAGE



Twenty plated clip nuts fit all rack-mounting angles with .281-in. (7-mm) diameter holes (through-hole type).

BULLETIN: A80

Catalog Number	Description	Pkg. Qty.	Fits
AN1032	Clip Nut 10-32	20	.281-diameter mounting holes
ANM5	Clip Nut M5 (Metric)	20	.281-diameter mounting holes

SCREW PACKAGE



Screws attach rack panels and rack-mounted equipment to rack-mounting angles.

BULLETIN: A80, DACCY

Catalog Number	Color	Description	Pkg. Qty.
ES1224	Silver	12-24 x 5/8 in. combo head	20
ES1224250	Silver	12-24 x 5/8 in. combo head	250
ES1224B	Black	12-24 x 5/8 in. combo head	20
ES1224B250	Black	12-24 x 5/8 in. combo head	250
ASM5	Silver	M5 x 20 mm Combo Head	20
ASM6	Silver	M6 x 16 mm combo head	20
ASM5T	Silver	M5 x 12 mm thread-forming Phillips hex head screws	20
ASM6250	Silver	M6 x 16 mm combo head	250
AS1032	Silver	10-32 x 5/8 in. combo head	20
AS1032250	Silver	10-32 x 5/8 in. combo head	250
AS1032B	Black	10-32 x 5/8 in. combo head	20

Use ASM5T on PROLINE frame or Net Series extruded holes.

MOUNTING BRACKET KITS

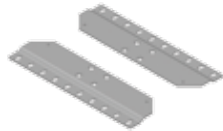


Mounting Bracket Kits are available in stainless steel or composite material. Kit includes 4 brackets and mounting hardware.

BULLETIN: A80

Catalog Number	Description
CMFK	Steel
CMFKSS	Stainless Steel
CMTGFT	Composite

WALL MOUNTING BRACKET



Wall Mounting Bracket bolts to enclosure back thread holes and facilitates easy mounting to walls. Made of 0.10 aluminum with cabinet matching RAL 7035 finish.

BULLETIN: DCOMY

Catalog Number	AxBxC in./mm	Description
EMB1	1.73 x 30.20 x 21.26 44 x 767 x 540	Aluminum

Notes