

FREE-STAND, TYPE 4 WITH 3-POINT LATCH



APPLICATION

These enclosures are ideal for mounting equipment on panels or racks in indoor or outdoor applications where it is necessary to protect controls and instrumentation from wet, non-corrosive environments. The design features Hoffman’s exclusive POWERGLIDE Handle with 3-point latching for secure closure.

FEATURES

- 3-point latch for security and ease of use
- Mounting channels accommodate panel or rack-mount equipment
- Panels and rack mount angles can be mounted anywhere along channels
- Rolled flange around door opening excludes liquids and contaminants
- Lifting eyes for easy handling

SPECIFICATIONS

- 12 gauge steel
- 3-point latch system with POWERGLIDE handle
- Seams continuously welded and ground smooth; no holes or knockouts
- Mounting channels welded horizontally to interior body sides at top, bottom and center
- Heavy-gauge continuous hinge with stainless steel hinge pin
- Data pocket is high-impact thermoplastic
- Lifting eyes
- Oil-resistant door gasket
- Bonding provision on door
- Provision for mounting fluorescent light

FINISH

ANSI 61 gray polyester powder paint inside and out over pretreated surfaces. Optional panels have either a white or a conductive finish.

ACCESSORIES

- Panels
- PANELITE Enclosure Lights
- Floor Stand Kit
- SPECTRACOOOL Indoor/Outdoor
- HF Side-Mount Filter Fans
- Steel, Stainless Steel and Non-Metallic Window Kits
- Electric Heaters
- HOL-SEALERS Hole Seals
- INTERSAFE Data Interface Ports, Type 4/4X/12

MODIFICATION AND CUSTOMIZATION

Hoffman excels at modifying and customizing products to your specifications. Contact your local Hoffman sales office or distributor for complete information.

BULLETIN: A4L3

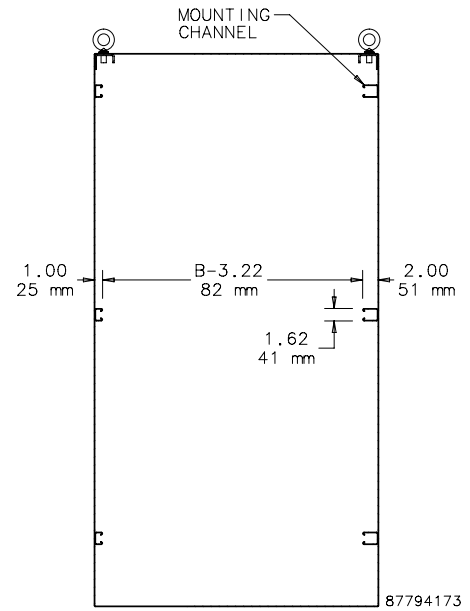
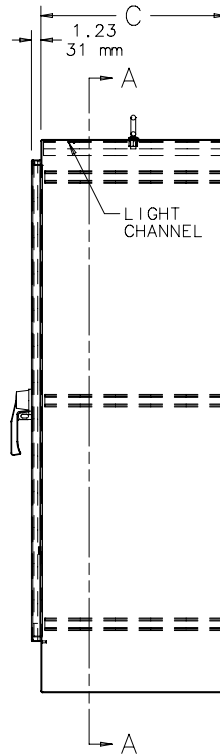
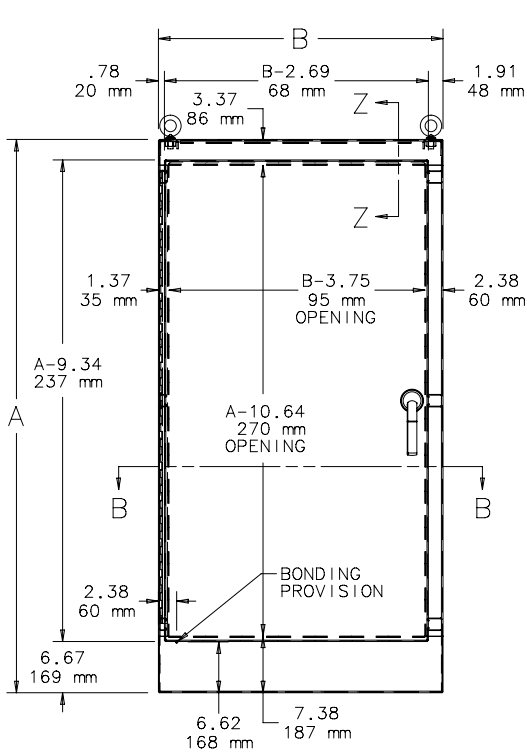
INDUSTRY STANDARDS

UL 508A Listed; Type 4, 12; File No. E61997
 cUL Listed per CSA C22.2 No. 94; Type 4, 12; File No. E61997

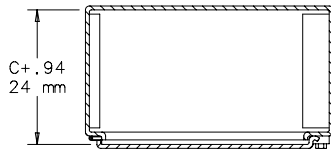
NEMA Type 3, 4, 12, 13
 E.I.A. RS310D
 IEC 60529, IP66

Standard Product

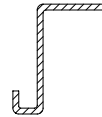
Catalog Number	AxBxC in./mm	Rack Units	Panel	Panel, Conductive
A72H2518FS3PT	72.06 x 25.06 x 18.06 1830 x 637 x 459	35	A72P24F1	A72P24F1G
A72H3124FS3PT	72.06 x 31.06 x 24.06 1830 x 789 x 611	35	A72P30F1	A72P30F1G
A72H3724FS3PT	72.06 x 37.06 x 24.06 1830 x 941 x 611	35	A72P36F1	A72P36F1G



SECTION A-A



SECTION B-B



SECTION Z-Z

87794173