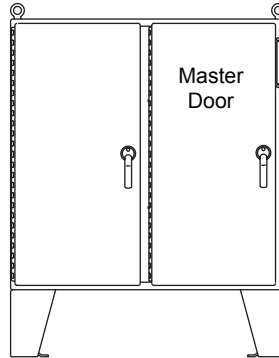


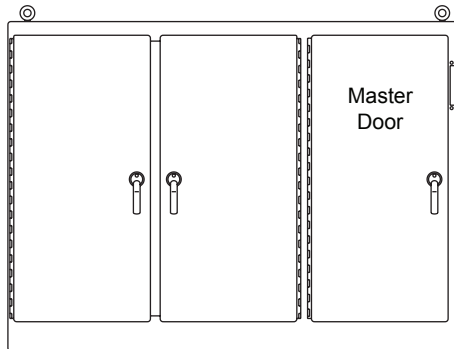
OPERATOR ADAPTER SQDC

Installation Instructions for Square "D" Bulletin 9422 Flexible Cable Operating Mechanisms
(For parts list, see Page 2)

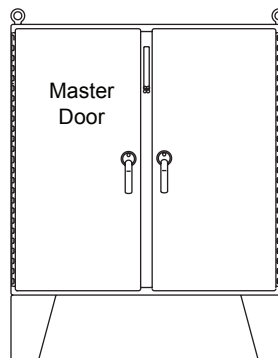
For floor-mounted enclosures with
the disconnect on the right flange



For one- through six-door free-standing enclosures
with the disconnect the the right flange



For floor-mounted enclosures with
the disconnect on the centerpost



WARNING

The functions, fits and clearances of the installation described hereon are calculated from information supplied by the manufacturers of the equipment to be installed. Be certain to check the function, fits and clearances of all equipment both before and after installation to assure that it operates properly and safely and meets all applicable codes, standards and regulations.

In the event the completed installation does not function properly or fails to meet any such codes, standards or regulations, do not attempt to make alterations or operate the equipment. Report such facts immediately to:

Hoffman Customer Service
2100 Hoffman Way
Anoka, MN 55303
763.422.2211
<http://hoffman.nvent.com/contact-us>

Parts List

Operator Adapter, Catalog Number SQDC, for Square "D" Bulletin 9422 Disconnects

Item No.	Description	Part No.	Qty.
1	MOUNTING PLATE, SQ D CABLE OPERATOR	27206002	1
2	PLATE GASKET	89109613	1
3	SCREW, 1/4-20X1/2 PAN HEAD	99401031	4
4	SLIDE ARM	26250001	1
5	SHOULDER COLLAR	26149001	1
6	SCREW, 1/4-20X7/8, HEX HEAD	99401030	1
7	LOCKWASHER, 1/4 SPRING	99401318	1
8	WASHER, FLAT	22101003	2
9	LOCKWASHER, 1/4 INTERNAL TEETH	99401300	2
10	NUT, 1/4-20 HEX	99401406	2
11	DOOR CATCH	23101002	1
12	SCREW, 10-32X3/8 PAN HEAD	99401007	2
13	LOCKWASHER, #10 INTERNAL TEETH	99401307	2
14	NYLON WASHER	26132003	4
15	INSTALLATION INSTRUCTIONS	89114661	1

INTRODUCTION

This installation instruction is for Square "D" Bulletin 9422 (flexible cable) mechanisms. These mechanisms are for disconnect switches and circuit breakers mounted in Hoffman disconnect enclosures.

INSTALLATION STEPS

Step 1

Install mounting plate (item 1) and plate gasket (item 2) on the inside of the enclosure, behind the rectangular opening provided. Gasket side with PSA should be attached to the adapter plate. Secure in place with four screws (item 3) and four nylon washers (item 14).

Step 2

Discard the Square "D" stiffener bracket which is normally installed inside the enclosure flange, behind the operating handle.

Step 3

Assemble the Square "D" operating handle and cable handle mechanism to the mounting plate which was installed in the enclosure in step 1. Omit cap screw and lockwasher which fits into bottom hole of Square "D" operating handle.

Step 4

Modify slide arm (item 4) only if it is being installed in an enclosure with disconnect on centerpost. (cut 2.5 inches off the bottom end of slide arm. Bottom end has rectangular holes only)

Step 5

Install the slide arm (item 4) over the projecting part of the handle assembly (on Square "D" operating handle) with notch toward door opening, as shown. Place the smaller diameter end of the shoulder collar (item 5) through the oval slot in the slide arm. Install long cap screw (item 6) with lockwasher (item 7) through shoulder collar into the bottom mounting hole of the Square "D" operating handle and tighten. The slide arm and interlock arm should move up and down smoothly. Install locking lever extension (Square "D" part) per Square "D" instructions.

Step 6

Attach the bottom of the slide arm (item 4) to the offset arm of the lock release mechanism. Use two flat washers (item 8), two lockwashers (item 9), and two hex nuts (item 10). Do not tighten until parts are adjusted. (see step 7B)

Step 7

The handle safety lock release mechanism is adjustable.

(A) Check the adjustment of the factory installed roller bracket on enclosures with disconnect on right flange. The door latch should hit against the latch stop portion of the roller bracket when the door is closed and latched. Adjust up or down if necessary. The attached mechanism will then provide the necessary up-down motion required to operate the release mechanism.

(B) Adjust the length of the slide arm assembly. With proper adjustment of the slide arm, the safety lock (on Square "D" handle operator) should release just before the master door is fully latched. Lengthen slide arm if safety lock releases too soon. Shorten slide arm if safety lock releases too late.

Step 8

Attach the door catch (item 11), provided by Hoffman, to the tapped spacer on the door using the bottom set of mounting holes. Use two screws (item 12) and lockwashers (item 13). The door catch prevents the door from being opened when the switch is in the "ON" position.

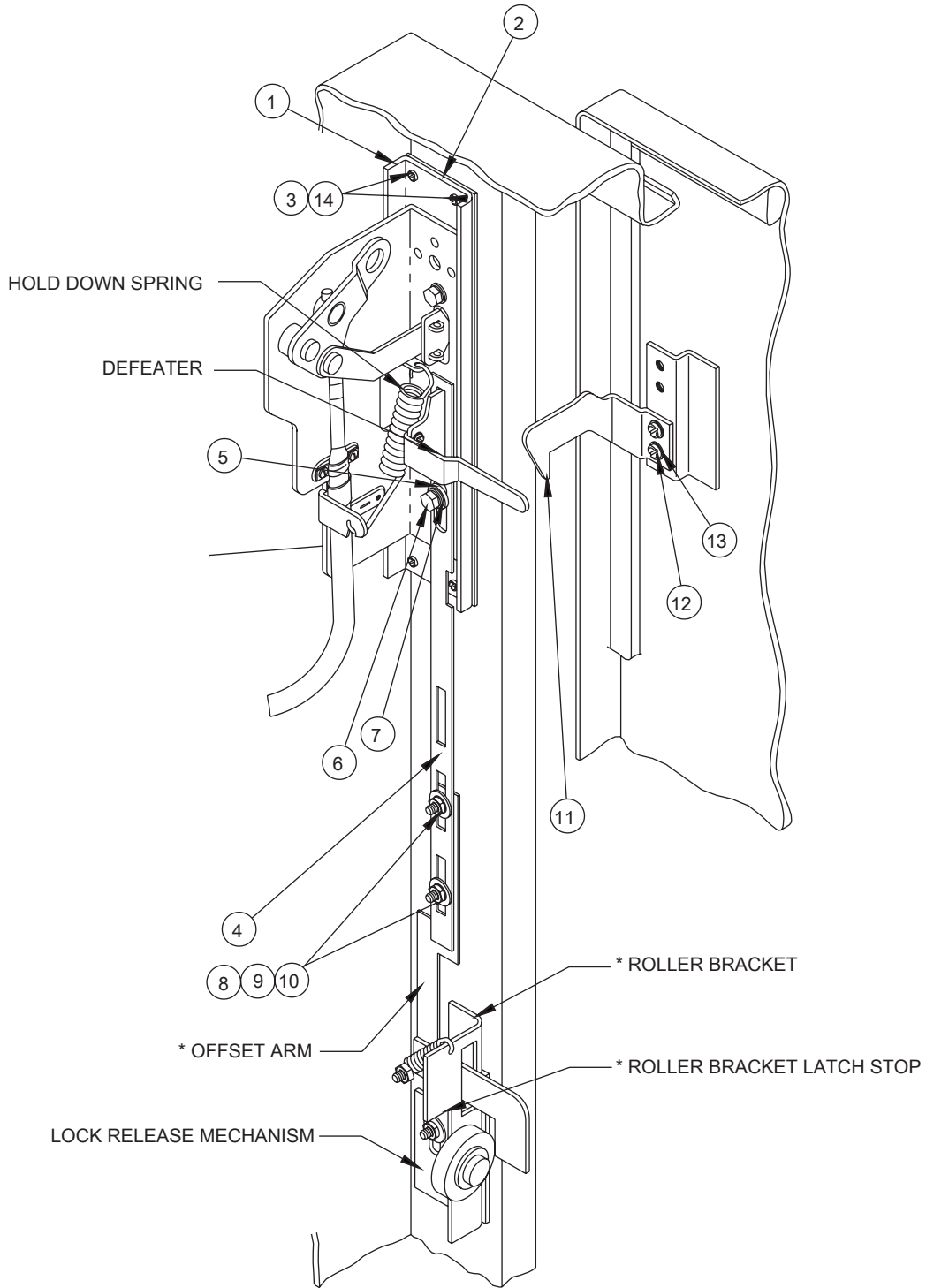
Step 9

Drill and tap holes in panel per Square "D" instructions. See Square "D" instructions for locating holes.

Step 10

Mount switch or circuit breaker using Square "D" instructions and parts.

For Floor-Mounted, Two-Door Enclosures with Disconnect on Right Flange
 For Floor-Mounted, Two-Door Enclosures with Disconnect on Centerpost
 For One- Through Six-Door, Free-Standing Enclosures with Disconnect on Right Flange



* PARTS OF LOCK RELEASE MECHANISM