

ProLine

PROLINE TOPS

VENTED TOP WITH INTEGRAL FAN TRAY



The deeper vented tops (500 through 800 mm deep) have integral fan trays with cutouts for mounting additional fans (see Additional Fan). Accessory fan kits (consisting of three pre-wired fans) can be installed to provide additional airflow. Unused fan positions are provided with covers to prevent short-circuiting of airflow. Since the fan pulls air through the enclosure to cool equipment, an optional Inlet Vent must be ordered separately. Vented tops are 1,4 mm thick steel and finished with RAL 7035 light-gray textured polyester powder paint.

The vented top is designed to be used in place of a standard top. Bolts are provided to secure vented top to frame. The enclosure can be lifted with a vented top installed (requires accessory lifting eyes).

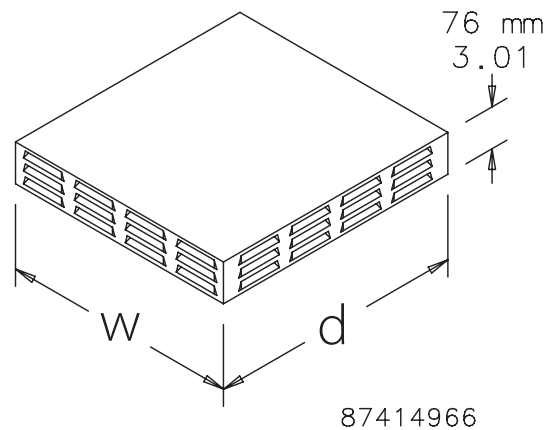
INDUSTRY STANDARDS

UL Component Recognized; Type 1; File No. E61997
This component is rated UL Type 1. Installing this component on an enclosure brings the enclosure rating to UL Type 1.

This component is rated UL Type 1. Installing this component on an enclosure brings the enclosure rating to UL Type 1.

NEMA/EEMAC Type 1
IEC 60529, IP20

Vented Top with Integral Fan Tray provides a cooling/ventilation solution for electronic and networking applications. An integral fan tray with three pre-wired and mounted fans provides up to 340-510 m³/h of exhaust.



STANDARD PRODUCT

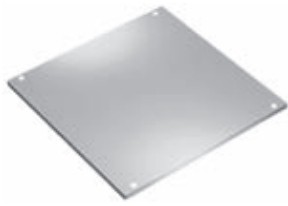
Item number	Fits Frame W x D [mm]	w [mm]	d [mm]	Voltage
PVT3F642	600 x 400	591	393	230
PVT3F652	600 x 500	591	493	230
PVT3F662	600 x 600	591	593	230
PVT3F682	600 x 800	591	793	230
PVT3F842	800 x 400	791	393	230
PVT3F852	800 x 500	791	493	230
PVT3F862	800 x 600	791	593	230
PVT3F882	800 x 800	791	793	230

ADDITIONAL FAN

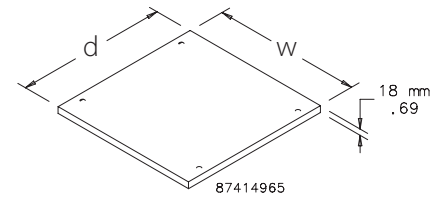
Item number	Voltage	Description
PVT3F2	230 VAC	3-fan kit

ProLine Tops

SOLID TOPS



Solid Tops are used to close the top opening on an enclosure frame. Steel Tops are finished with RAL 7035 textured light gray. Tops are made of 1,5 mm steel.



Item number	Frame Type	Fits Frame W x D [mm]	w [mm]	d [mm]
PT45	Single-Bay	400 x 500	392	499
PT46	Single-Bay	400 x 600	392	599
PT64	Single-Bay	600 x 400	592	399
PT65	Single-Bay	600 x 500	592	499
PT66	Single-Bay	600 x 600	592	599
PT68	Single-Bay	600 x 800	592	799
PT84	Single-Bay	800 x 400	792	399
PT85	Single-Bay	800 x 500	792	499
PT86	Single-Bay	800 x 600	792	599
PT88	Single-Bay	800 x 800	792	799
PT89	Single-Bay	800 x 900	792	799
PT104	Single-Bay	1000 x 400	992	399
PT105	Single-Bay	1000 x 500	992	499
PT106	Single-Bay	1000 x 600	992	599
PT108	Single-Bay	1000 x 800	992	799
PT124	Double-Bay	1200 x 400	1192	399
PT125	Double-Bay	1200 x 500	1192	499
PT126	Double-Bay	1200 x 600	1192	599
PT128	Double-Bay	1200 x 800	1192	799



Our powerful portfolio of brands:

CADDY ERICO HOFFMAN RAYCHEM SCHROFF TRACER