

ProLine

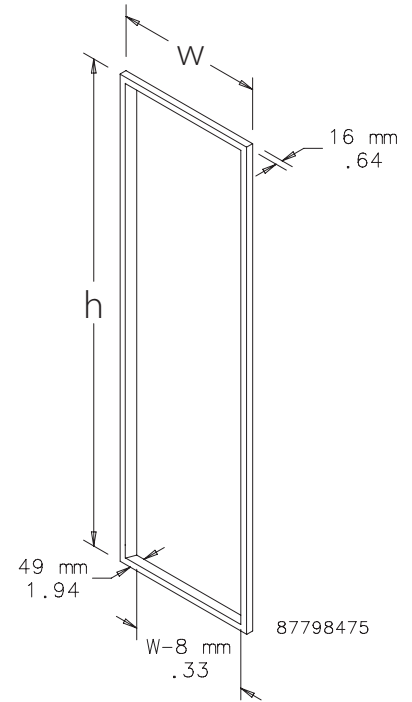
PROLINE FRAME ACCESSORIES



A Dress Frame provides a decorative trim when a front door or cover is not used. The dress frame can be installed:

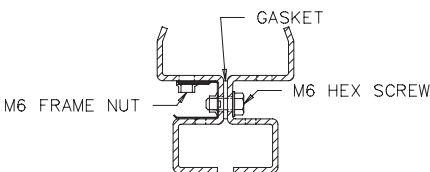
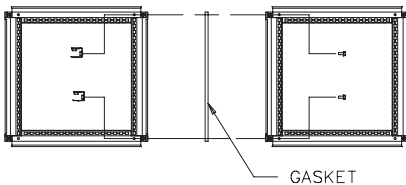
- For single bay frame on the front or rear
- For double bay frame only on the rear.

The painted steel dress frame, finished with RAL 7035 textured, light-gray polyester powder paint, is provided with a snap-in design for easy installation with no tools required.



Item number	Nominal Frame Size H x W [mm]	h [mm]	w [mm]
PDF146	1400 x 600	1339	591
PDF166	1600 x 600	1539	591
PDF186	1800 x 600	1739	591
PDF206	2000 x 600	1939	591
PDF226	2200 x 600	2139	591

FRAME JOINING KITS



Frame Nut Detail (6 places)

87798468

Standard Frame Joining Kit permits joining two enclosure frames while maintaining an environmental seal. The kit consists of six frame nuts and screws, as well as gasket material to maintain a dust-tight and water-tight seal between ganged frames. Can be used if rack angles are not in the front or rear-most positions, or if a mounting plate is not in the rear-most position.

Item number	Description
PJ2F	Standard Frame Joining, Side-to-Side
PJ2FBF	Standard Frame Joining, Front-to-Back

L JOINING BRACKET



The L Joining Bracket, made of 3,0 mm steel, is used in conjunction with the standard joining kit as additional support. Pictured hardware is included.

Item number	Description
PJB2F	L Joining Bracket

ProLine Frame Accessories

LIFTING EYES



Lifting Eyes are used for lifting ProLine modular frames and for fastening ProLine top accessories to the frame. Lifting eyes thread into corner blocks in a frame. Furnished in sets of four with plated finish.

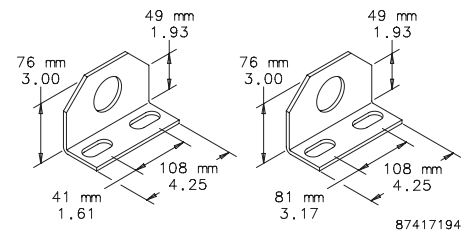
Item number	Description
PLEM12	(4) Lifting Eyes

LIFTING ANGLES

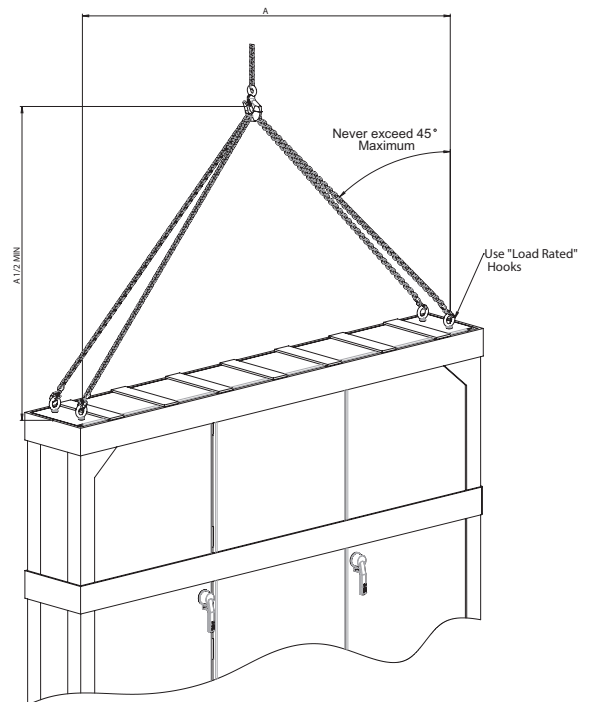


Used to provide best load distribution while lifting enclosures with up to 450 kg of equipment and cabling in each bay. Angles mount to top of enclosure frame corner blocks and do not require removal of top cover for installation. Kit consists of two angles and four bolts and washers. Angles are clear zinc-coated 7,0 mm steel.

Item number	Description
PJLBFB	Front-to-back lifting angles
PJLBSS	Side-to-side lifting angles



Lifting Eyes and Lifting Angles are designed for overhead lifting in conjunction with shackles and a spreader bar. Use of shackles instead of hooks is preferred. The angle between the top of the enclosure and the cable or chain must be at least 45 degrees. Use only slings and spreader bars that are designed for the specific application and are in compliance with regulations established by OSHA, ASME, ISA, ASTM and other governing agencies.



Our powerful portfolio of brands:

CADDY ERICO HOFFMAN RAYCHEM SCHROFF TRACER