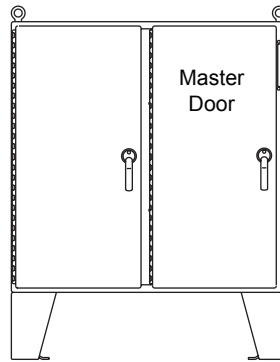


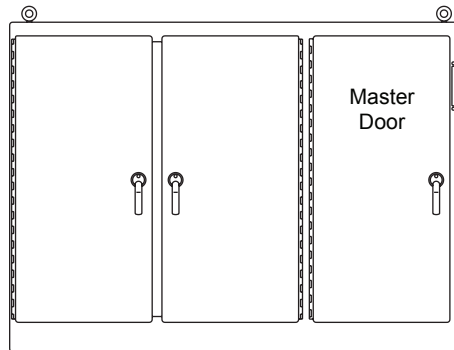
OPERATOR ADAPTER ABS

Installation Instructions for Allen-Bradley Bulletin 1494V,
1494C, 140G and 140U Small Handle Disconnect Switches

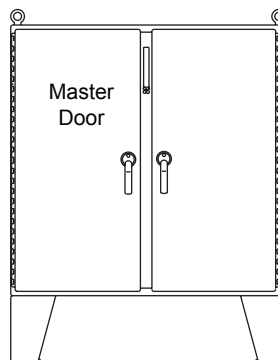
For floor-mounted enclosures with
the disconnect on the right flange



For one- through six-door free-standing enclosures
with the disconnect on the right flange



For floor-mounted enclosures with
the disconnect on the center post



WARNING

The functions, fits, and clearances of the installation described hereon are calculated from information supplied by the manufacturers of the equipment to be installed. Be certain to check the function, fits, and clearances of all equipment both before and after installation to assure that it operates properly and safely and meets all applicable codes, standards, and regulations.

In the event the completed installation does not function properly or fails to meet any such codes, standards, or regulations, do not attempt to make alterations or operate the equipment. Report such facts immediately to:

Hoffman Customer Service
2100 Hoffman Way
Anoka, MN 55303
763 422 2211
<http://hoffman.nvent.com/contact-us>

Parts List

Operator Adapter, Catalog Number ABS, for Allen-Bradley Bulletins 1494V, 1494C, 140G and 140U Disconnects

Item No.	Description	Part No.	Qty.
1	ADAPTER PLATE, SMALL	87951268	1
2	PLATE GASKET	89109613	1
3	SCREW, 1/4-20X1/2 PAN HEAD	99401031	4
4	SLIDE ARM, FLAT	26250001	1
5	SHOULDER COLLAR, 5/8 DIAMETER	26149001	1
6	SCREW, 1/4-20X7/8 HEX HEAD	99401030	1
7	LOCK WASHER, 1/4 SPRING	99401318	1
8	WASHER, FLAT	22101003	2
9	LOCK WASHER, 1/4 INTERNAL TEETH	99401300	2
10	NUT, HEX 1/4-20	99401406	2
11	DOOR CATCH	23101002	1
12	SCREW, 10-32X3/8 PAN HEAD	99401007	2
13	LOCK WASHER, #10 INTERNAL TEE	99401307	2
14	NYLON WASHER	26132003	4
15	INSTALLATION INSTRUCTIONS	89114650	1

INTRODUCTION

This installation instruction is for the Allen-Bradley Small Handle.

Bulletin 1494V, 1494C, 140G and 140U mechanisms.

These mechanisms are for disconnect switches and circuit breakers mounted in Hoffman two door, floor-mounted with cutout on right hand flange or centerpost and one through six door, free-standing enclosures with the disconnect on the right flange.

ALLEN-BRADLEY SMALL HANDLE INSTALLATION STEPS

See Figure 1 for 1494V and 140G Variable Depth or Figure 2 for 1494C, 140G and 140U Cable Control.

Step 1

Install adapter plate (item 1) and plate gasket (item 2) on the inside of the enclosure, behind the rectangular opening provided. Gasket side with PSA should be attached to the Adapter Plate. Secure in place with four screws (item 3), and four nylon washers (item 14).

Step 2 – Install Small Handle.

(1494V) Assemble the Allen-Bradley 1494F-M1, 1494F-P1 or 1494F-S1 operating handle and Allen-Bradley spring bracket to the mounting plate which was installed in the enclosure in Step 1. Omit cap screw and lockwasher which fit into bottom hole of Allen-Bradley operating handle.

(1494C) Assemble the Allen-Bradley 1494C CM and CMX operating mechanism and small handle to the mounting plate which was installed in the enclosure in Step 1. Omit cap screw and lockwasher which fit into bottom hole of Allen-Bradley operating handle.

(140G) Assemble the A-B 140G H, I, J, or K operating mechanism and small handle to the mounting plate which was installed in the enclosure in Step 1. Omit cap screw and lockwasher which fit into bottom hole of Allen-Bradley operating handle.

(140U) Assemble the A-B 140U H, J, K, M, or N operating mechanism and small handle to the mounting plate which was installed in the enclosure in Step 1. Omit cap screw and lockwasher which fit into bottom hole of Allen-Bradley operating handle.

Step 3 – Install Slide Arm.

Note: When mounting to centerpost, cut 2.50 inches off bottom of slide arm (item 4). Bottom of slide arm has three rectangular slots.

(A) For 1494V and 140G Variable Depth, install the slide arm (item 4) through the hole in bottom of Allen-Bradley spring bracket and over the defeater part of the Allen-Bradley operating handle as shown.

(A) For the 1494C, 140G and 140U Cable Control, install the slide arm (item 4) over the defeater part of the Allen-Bradley operating handle as shown.

(B) Note that the notch in the slide arm is positioned toward the door opening. Place the smaller diameter end of the shoulder collar (item 5) through the oval slot in the slide arm. Install long cap screw (item 6) with lockwasher (item 7) through shoulder collar into the bottom mounting hole of the Allen-Bradley operating handle and tighten. The slide arm should move up and down smoothly. Install Allen-Bradley defeater bracket per Allen-Bradley instructions.

Step 4

Attach the bottom of the slide arm (item 4) to the offset arm of the operator release mechanism. Use two flat washers (item 8), two lockwashers (item 9), and two hex nuts (item 10). Do not tighten until parts are adjusted. (See Step 5B).

Step 5 – The operator release mechanism is adjustable in two places.

(A) Check the adjustment of the factory-installed roller bracket. The door latch should hit against the latch portion of the roller bracket when the door is closed and latched. Adjust up or down if necessary. The mechanism will then provide the necessary up-down motion required to operate the safety lock release in the Allen-Bradley operating handle.

(B) Adjust the length of the slide arm assembly with proper adjustment of the slide arm. The safety lock (in the Allen-Bradley operating handle) should release just before the master door is fully latched. Lengthen slide arm if safety lock releases too soon. Shorten slide arm if safety lock releases too late.

Step 6

Attach the door catch (item 11) provided by Hoffman to the tapped spacer on the door using the bottom set of mounting holes. Use two screws (item 12) and two lockwashers (item 13). The door catch prevents the door from being opened when the Allen-Bradley operating handle is in the "ON" position.

Step 7

Drill and tap holes in panel **PER ALLEN-BRADLEY INSTRUCTIONS.**

Step 8

Install panel in enclosure.

Step 9

Mount disconnect switch or circuit breaker on panel using Allen-Bradley instructions and parts. For variable depth disconnects, find the enclosure depth dimension. See Allen-Bradley instructions to cut the connecting rod to length required and install and adjust Allen-Bradley connecting rod per Allen-Bradley instructions.

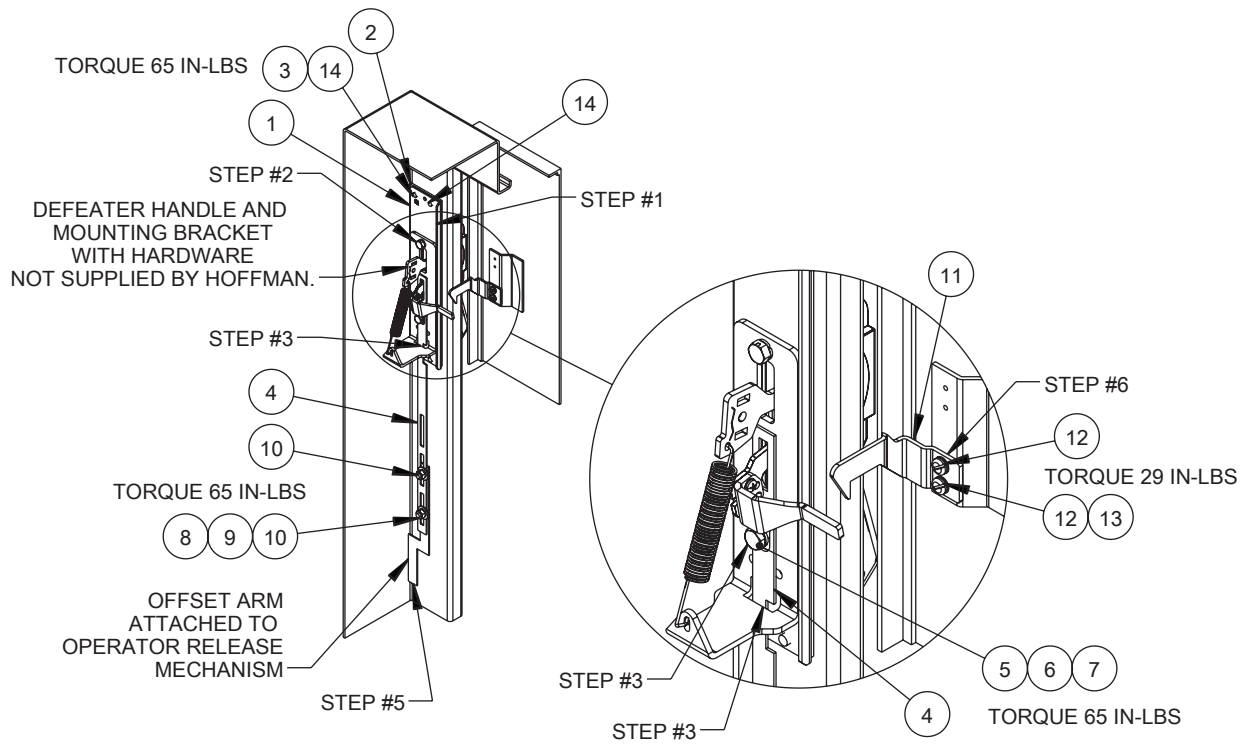


FIGURE 1

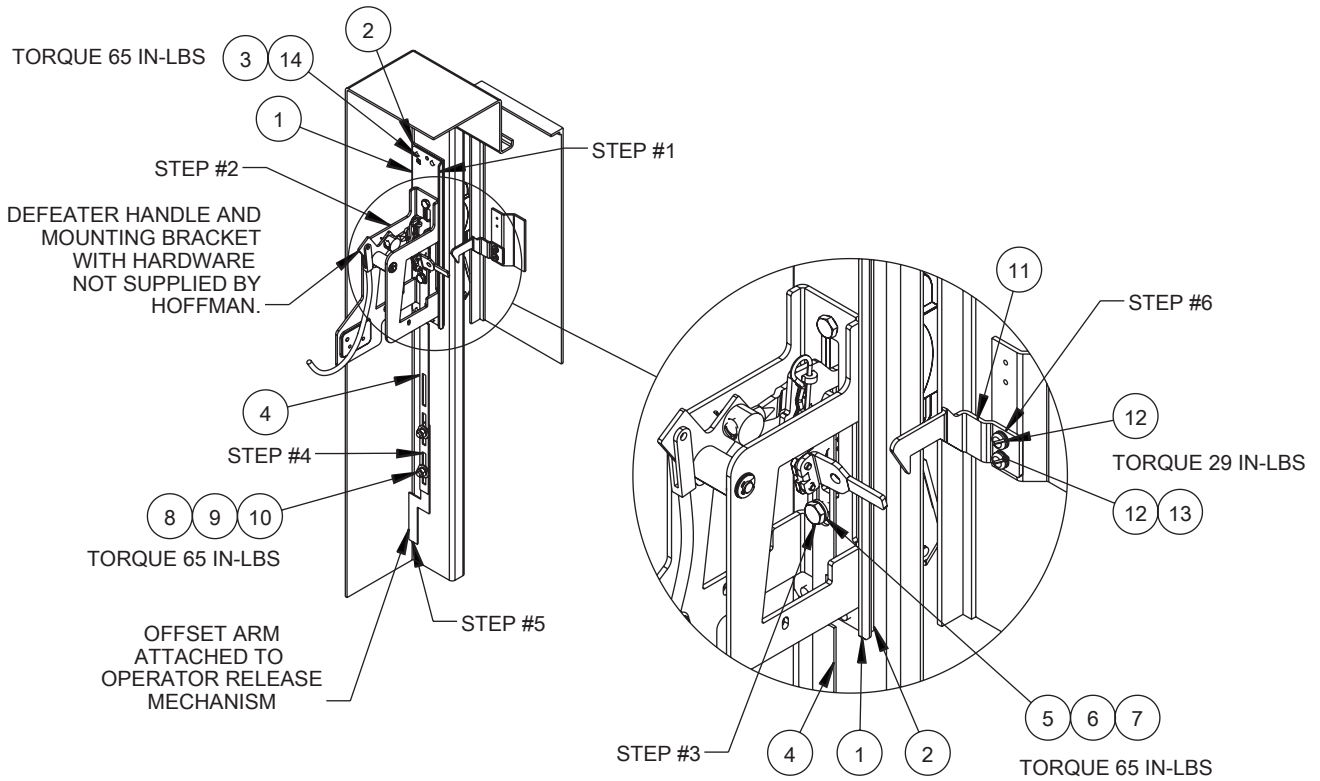


FIGURE 2