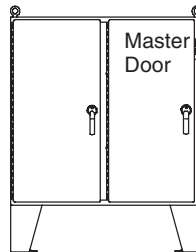


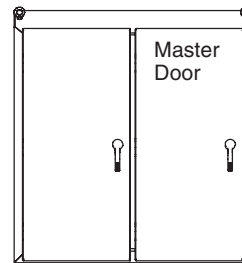
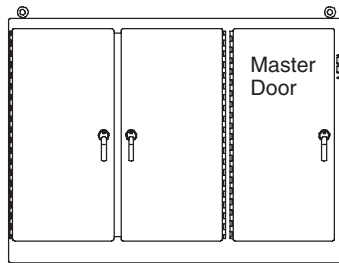
## OPERATOR ADAPTER APCITE

Installation Instructions for I-T-E MAX-FLEX™  
(For parts list, see page 2)

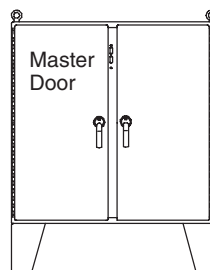
For floor-mounted enclosures with disconnect  
on the right flange, see pages 3–6



For one- through six-door free-standing enclosures  
with the disconnect on the right flange, see pages 3–6



For floor-mounted enclosures with the disconnect  
on the centerpost, see pages 7–10



## **WARNING**

The functions, fits, and clearances of the installation described hereon are calculated from information supplied by the manufactures of the equipment to be installed. Be certain to check the function, fits, and clearances of all equipment both before and after installation to assure that is operates properly and safely and meets all applicable codes, standards, and regulations.

In the event the completed installation does not function properly or fails to meet any such codes, standards, or regulations, do not attempt to make alterations or operate the equipment. Report such facts immediately to:

Customer Service Dept.  
Hoffman Enclosures Inc.  
2100 Hoffman Way  
Anoka, MN 55303-1745  
(763) 422-2211

## **PARTS LIST**

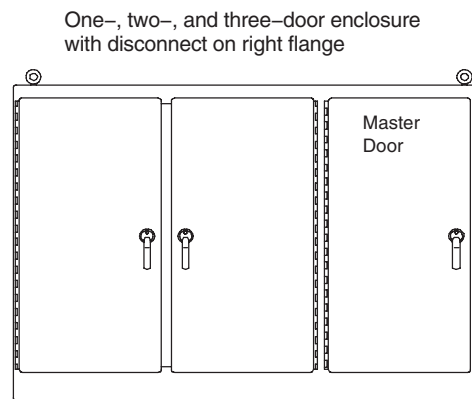
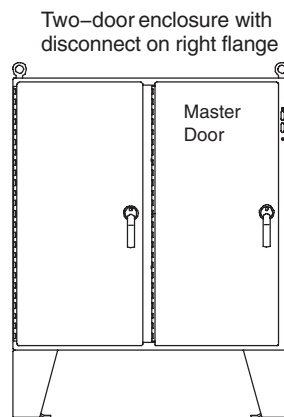
### **Operator Adapter, Catalog Number APCITE, for I-T-E MAX-FLEX Disconnects**

<u>Item No</u> .....	<u>Part Name</u> .....	<u>Part No</u> .....	<u>Quantity</u>
1 ‡ .....	Slide Arm .....	26250001 .....	1
2 ‡ .....	Shoulder Collar .....	26149001 .....	1
3 ‡ .....	Screw, 1/4-20x7/8 Hex HD.....	99401030 .....	1
4 ‡ .....	Lockwasher, 1/4 Spring.....	99401318 .....	1
5 .....	Washer, Flat.....	22101003 .....	2
6 .....	Lockwasher, 1/4 Int. ....	99401300 .....	2
7 .....	Nut, 1/4-20 Hex.....	99401406 .....	2
8 .....	Door Catch .....	23101002 .....	1
9 .....	Screw, 10-32x3/8 Pan HD .....	99401007 .....	2
10 .....	Lockwasher, #10 Int. ....	99401307 .....	2
11 .....	Label, (extra) .....	26147001 .....	1
12 .....	Installation Instruction .....	87415680 .....	1

‡ These parts are for the smaller ITE flange handle only.  
(FHOHS for disconnect switches) (FHOH for circuit breakers)

## INTRODUCTION

This installation instruction is for I-T-E MAX-FLEX mechanisms. These mechanisms are for disconnect switches and circuit breakers mounted in Hoffman two-door, floor-mounted and one-, two-, and three-door, free-standing enclosures with the disconnect on the right flange.



## INSTALLATION STEPS

**Step 1** - Assemble the I-T-E operating handle and cable frame assembly to the enclosure flange opening. Omit cap screw and lockwasher which fits into bottom hole of I-T-E operating handle.

**Step 2** - Install the slide arm (item 1) over the interlock lever part of the I-T-E operating handle, as shown. Place the smaller diameter end of the shoulder collar (item 2) through the oval slot in the slide arm. Install long cap screw (item 3) with lockwasher (item 4) through shoulder collar into the bottom mounting hole of the I-T-E operating handle and tighten. The slide arm should move up and down smoothly. Install interlock lever extension per I-T-E instructions.

**Step 3** - Attach the bottom of the slide arm to the offset arm of the lock release mechanism. Use two flat washers (item 5), two lockwashers (item 6), and two hex nuts (item 7). Do not tighten until parts are adjusted. (see Step 4 - (B) )

**Step 4** - The handle safety lock release mechanism is adjustable in two places.

(A) Check the adjustment of the factory installed roller bracket. The door latch should hit against the latch stop portion of the roller bracket when the door is closed and latched. Adjust up or down if necessary. The attached mechanism will then provide the necessary up-down motion required to operate the release mechanism in the I-T-E operating handle.

(B) Adjust the length of the slide arm assembly. With proper adjustment of the slide arm, the safety lock (in I-T-E operating handle) should release just before the master door is fully latched. Lengthen slide arm if safety lock releases too soon. Shorten slide arm if safety lock releases too late.

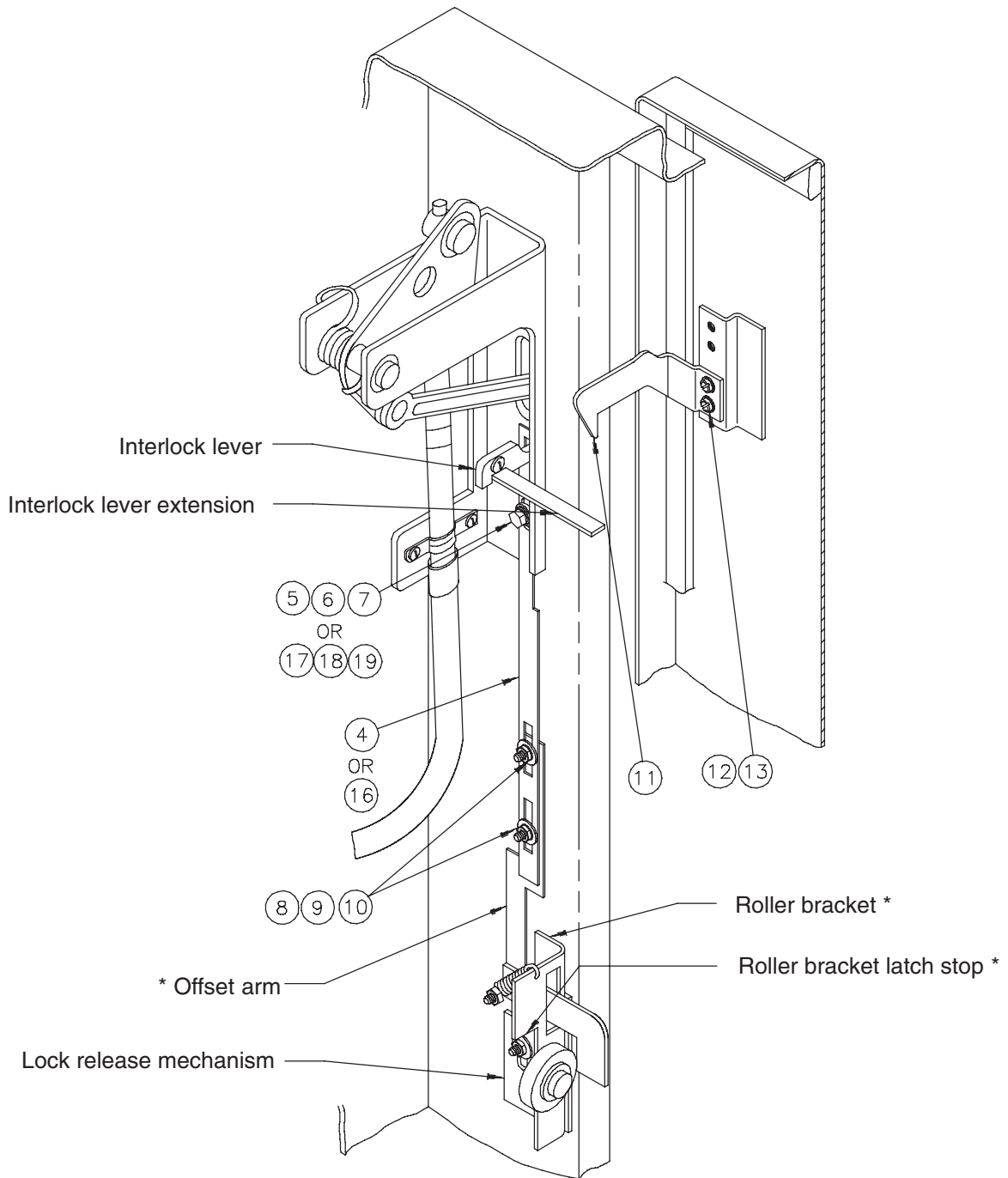
**Step 5** - Attach the door catch (item 8), provided by Hoffman, to the tapped spacer on the door using the bottom set of mounting holes. Use two screws (item 9) and lockwashers (item 10). The door catch prevents the door from being opened when the I-T-E operating handle is in the "ON" position. The door catch may be adjusted up or down to hook properly on the interlock blade. The door catch (item 8) must be positioned so it just clears the top of the interlock lever extension when the I-T-E operating handle is in extreme "OFF" position.

**Step 6** - Drill and tap holes in panel as shown in diagram and table. Disconnect can be located anywhere within reach of cable length being used. See I-T-E instructions.

**Step 7** - Install panel on collar studs in enclosure.

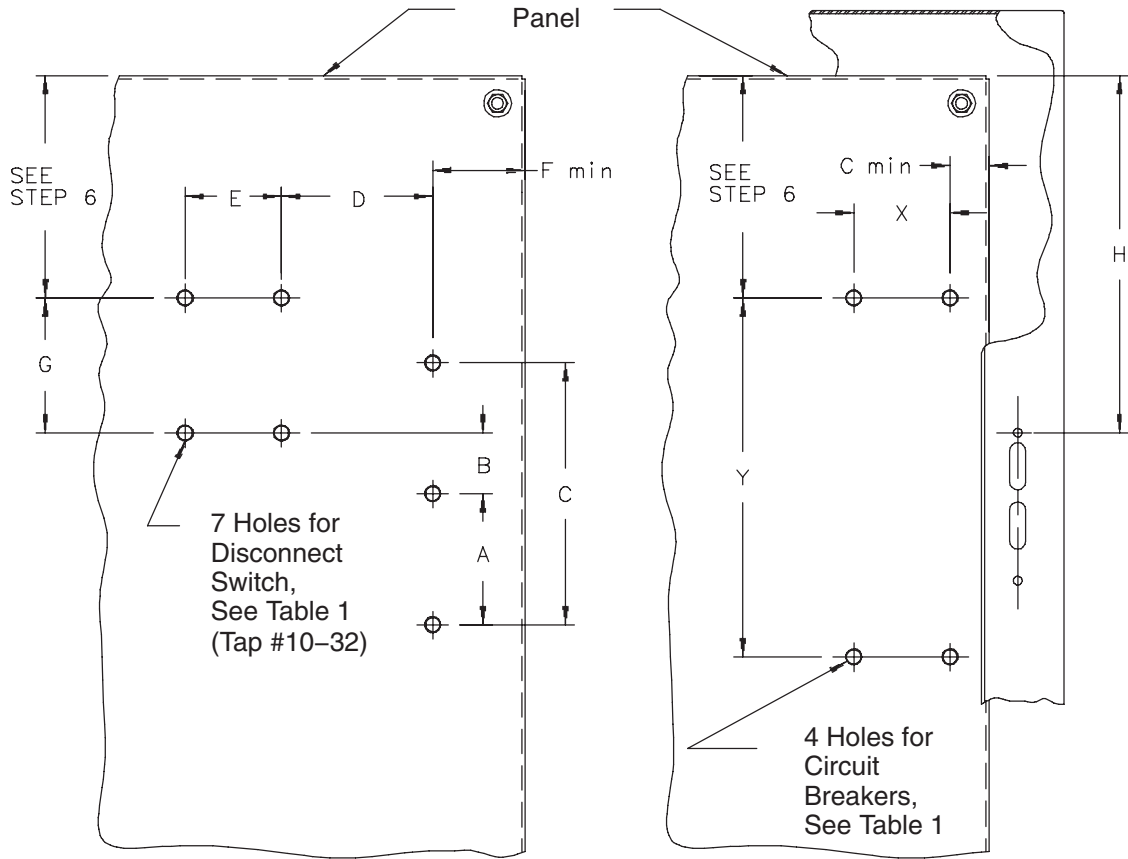
**Step 8** - Mount disconnect switch or circuit breaker and operating mechanism on panel using I-T-E instructions and parts.

For Two-Door, Floor-Mounted and One-, Two-, and Three-Door, Free-Standing Enclosures With Disconnect on Right Flange



\* Parts of lock release mechanism

For Two-Door, Floor-Mounted and One-, Two-, and Three-Door, Free-Standing Enclosures With Disconnect on Right Flange



For Two-Door, Floor-Mounted and One-, Two-, and Three-Door,  
Free-Standing Enclosures With Disconnect on Right Flange

**TABLE 1**  
**Sub-Panel Drilling For Disconnect Switches**

I-T-E* MECHANISM	FITS DISCONNECT DEVICE	NO. OF HOLES	A	B	C	D	E	F <sub>min</sub>	G
FHOS06036R	30 A SW.	4 & 3	2.00	1.69	5.10	2.88	1.50	.66	1.89
FHOS06036R	60 A SW.	4 & 3	2.00	1.69	5.10	2.88	1.50	.66	1.89
FHOS06036R	100 A SW.	4 & 3	2.00	.82	5.10	3.21	1.81	.66	3.00
FHOS20036R	200 A SW.	4 & 3	2.50	-1.00	5.50	1.00	7.86	.62	5.44

**TABLE 1**  
**Sub-Panel Drilling For Circuit Breakers**

I-T-E (1) MECHANISM	No. of Holes	Mtg. Hole Size	X	Y	C <sub>min</sub>
FHOE036	4	8-32	1.00	5.00	1.00
FHOF036	4	1/4-20	1.50	7.50	1.50
FHOJ036	4	1/4-20	2.50	9.75	2.50
FHOLM036	4	1/4-20	2.50	9.75	2.50
FHON048	4	3/8-16	3.00	14.25	3.50

1) These mechanisms include 36" (or 48") operating cables. If longer cables are needed, order I-T-E components separately.

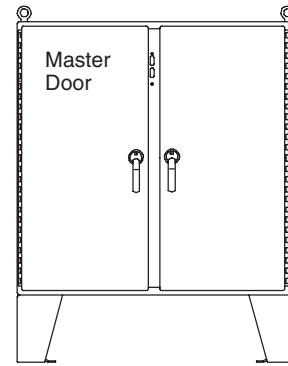
**TABLE 2**  
**Location of Disconnect Operating Handle**

Hoffman Disconnect Enclosure Description	Enclosure Height	H	H <sub>(1)</sub>
Two-Door, Floor-Mounted Disconnect on Centerpost	60.13	5.81	4.36
	72.13	11.81	10.36
One-, Two-, Three-Door, Free-Standing Disconnect on Right Flange	72.13	7.81	6.36
	84.13	13.81	12.36
	90.13	16.81	15.36
Two-Door, Free-Standing Disconnect on Right Flange	62.81	6.26	4.81
	74.81	12.26	10.81

1) This "H" dimension is for the large I-T-E handle number FHOHN only.

## INTRODUCTION

This installation instruction is for I-T-E MAX-FLEX mechanisms. These mechanisms are for disconnect switches and circuit breakers mounted in Hoffman two-door, floor-mounted enclosures with the disconnect on the centerpost.



## INSTALLATION STEPS

**Step 1** – Assemble the I-T-E operating handle and cable frame assembly to the opening in the enclosure centerpost. Omit cap screw and lockwasher which fits into bottom hole of I-T-E operating handle.

**Step 2** – Cut 2 1/2" off bottom end of slide arm (item 1). (bottom end has rectangular holes only)

**Step 3** – Install the slide arm (item 1) over the interlock lever part of the I-T-E operating handle, as shown. Place the smaller diameter end of the shoulder collar (item 2) through the oval slot in the slide arm. Install long cap screw (item 3) with lockwasher (item 4) through shoulder collar into the bottom mounting hole of the I-T-E operating handle and tighten. The slide arm should move up and down smoothly. Install interlock lever extension per I-T-E instructions.

**Step 4** – Attach the bottom of the slide arm to the offset arm of the lock release mechanism. Use two flat washers (item 5), two lockwashers (item 6), and two hex nuts (item 7). Do not tighten until parts are adjusted.

**Step 5** – Adjust the length of the slide arm assembly. With proper adjustment of the slide arm, the safety lock (in I-T-E operating handle) should release just before the master door is fully latched. Lengthen slide arm if safety lock releases too soon. Shorten slide arm if safety lock releases too late.

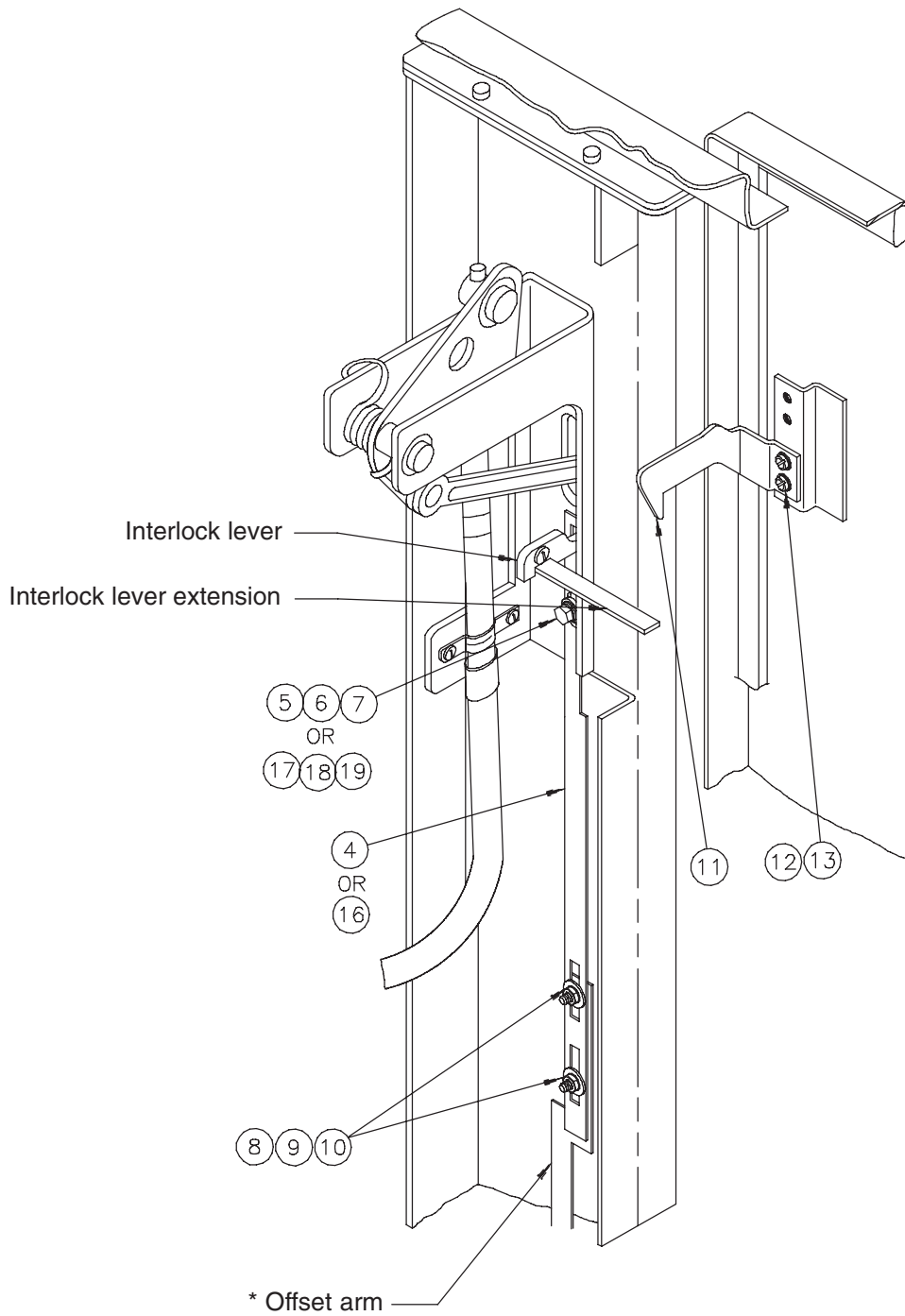
**Step 6** – Attach the door catch (item 8), provided by Hoffman, to the tapped spacer on the door using the bottom set of mounting holes. Use two screws (item 9) and lockwashers (item 10). The door catch prevents the door from being opened when the I-T-E operating handle is in the "ON" position. The door catch may be adjusted up or down to hook properly on the interlock blade. The door catch (item 8) must be positioned so it just clears the top of the interlock lever extension when the I-T-E operating handle is in extreme "OFF" position.

**Step 7** – Drill and tap holes in panel as shown in diagram and table. Disconnect can be located anywhere within reach of cable length being used. See I-T-E instructions.

**Step 8** – Install panel on collar studs in enclosure.

**Step 9** – Mount disconnect switch or circuit breaker and operating mechanism on panel using I-T-E instructions and parts.

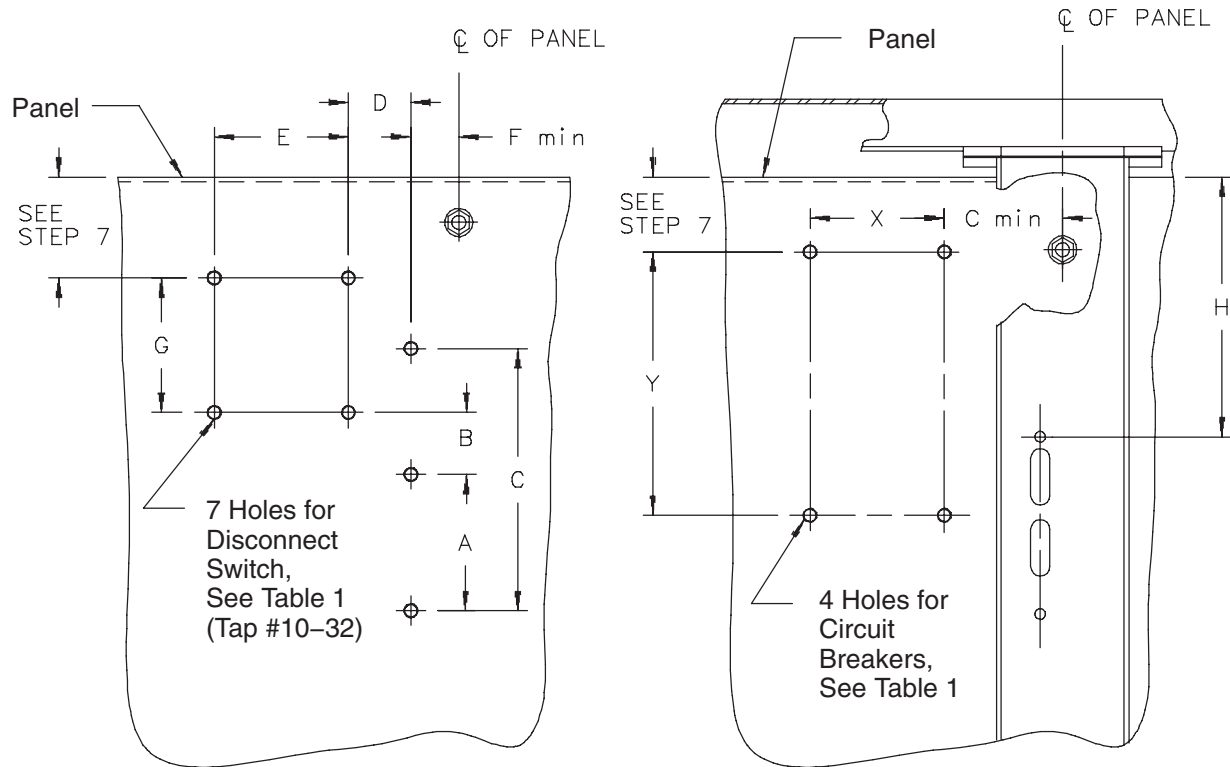
For Two-Door, Floor-Mounted Enclosures With Disconnect on Centerpost



\* Parts of lock release mechanism



# For Two-Door, Floor-Mounted Enclosures With Disconnect on Centerpost



For Two-Door, Floor-Mounted Enclosures With Disconnect on Centerpost

**TABLE 1**  
Sub-Panel Drilling For Disconnect Switches

I-T-E (1) MECHANISM	FITS DISCONNECT DEVICE	NO. OF HOLES	A	B	C	D	E	F <sub>min</sub>	G
FHOS06036R	30 A SW.	4 & 3	2.00	1.69	5.10	2.88	1.50	.66	1.89
FHOS06036R	60 A SW.	4 & 3	2.00	1.69	5.10	2.88	1.50	.66	1.89
FHOS06036R	100 A SW.	4 & 3	2.00	.82	5.10	3.21	1.81	.66	3.00
FHOS20036R	200 A SW.	4 & 3	2.50	-1.00	5.50	1.00	7.86	.62	5.44

**TABLE 1**  
Sub-Panel Drilling For Circuit Breakers

I-T-E (1) MECHANISM	No. of Holes	Mtg. Hole Size	X	Y	C <sub>min</sub>
FHOE036	4	8-32	1.00	5.00	1.00
FHOF036	4	1/4-20	1.50	7.50	1.50
FHOJ036	4	1/4-20	2.50	9.75	2.50
FHOLM036	4	1/4-20	2.50	9.75	2.50
FHON048	4	3/8-16	3.00	14.25	3.50

1) These mechanisms include 36" (or 48") operating cables. If longer cables are needed, order I-T-E components separately.

**TABLE 2**  
Location of Disconnect Operating Handle

Hoffman Disconnect Enclosure Description	Enclosure Height	H	H <sub>(1)</sub>
Two-Door, Floor-Mounted Disconnect on Centerpost	60.13	5.81	4.36
	72.13	11.81	10.36

1) This "H" dimension is for the large I-T-E handle number FHOHN only.



**HOFFMAN**



**HOFFMAN**