

EXTRA-DEEP PUSHBUTTON ENCLOSURES, TYPE 4

APPLICATION

Extra-Deep Pushbutton Enclosures, designed to hold 30.5-mm and 22.5-mm pushbuttons and switches, feature stainless steel screws and a high-performance polyurethane gasket to meet Type 4 environmental protection rating. A depth of 4.75 (121 mm) accommodates additional pushbutton contact blocks.

SPECIFICATIONS

- 16 or 14 gauge steel
- Seams continuously welded and ground smooth
- Captivated stainless steel cover screws thread into sealed wells
- Grounding stud on body
- Bonding provision on cover
- High-performance polyurethane gasket
- Factory stamped 4-way pushbutton holes
- Enclosures 6.00 x 4.00 x 5.00 in. (152 x 102 x 127 mm) and larger have internal detachable hinge to hold cover open during wiring, yet permit immediate removal
- 30.5-mm or 22.5-mm size holes
- External wall-mounting brackets

FINISH

ANSI 61 gray polyester powder paint inside and out

ACCESSORIES

HOL-SEALERS Hole Seals
Tamper-Resistant Screws

BULLETIN: PB1

INDUSTRY STANDARDS

UL 508A Listed; Type 4, 12; File No. E61997
cUL Listed per CSA C22.2 No. 94; Type 4, 12; File No. E61997

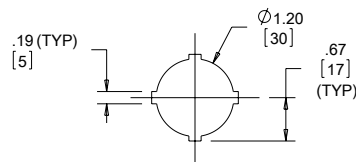
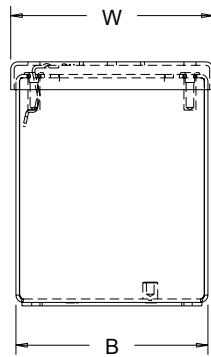
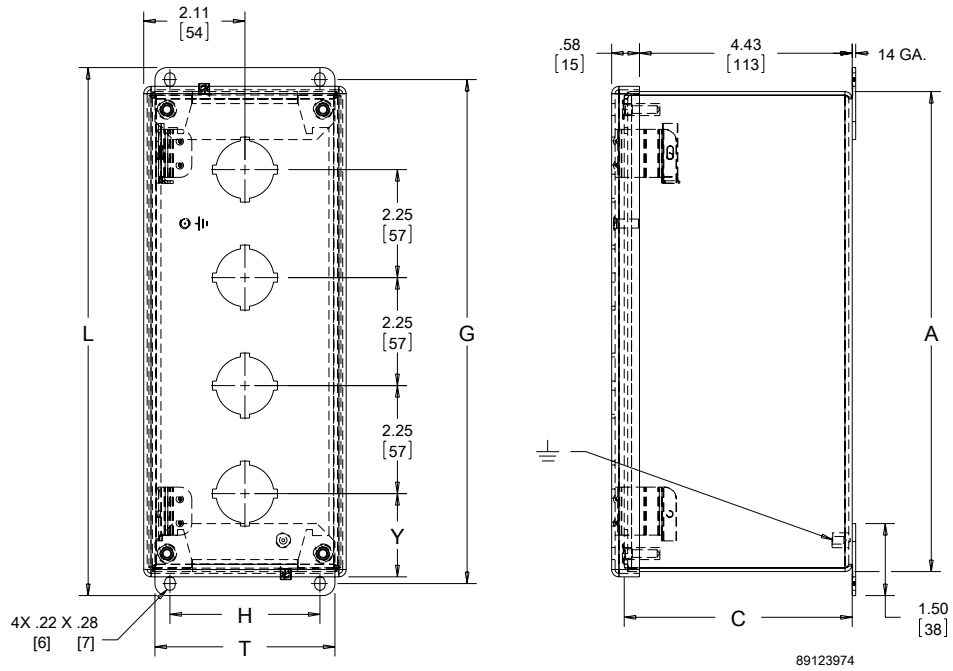
NEMA/EEMAC Type 4, 12

CSA File Number 42186: Type 4, 12

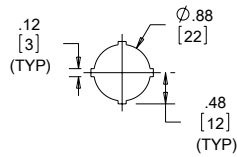
IEC 60529, IP66

Standard Product

Catalog Number	AxBxC in.	AxBxC mm	Hole Size	No. of Holes	Gauge	Mounting GxH (in.)	Mounting GxH (mm)	Overall LxW (in.)	Overall LxW (mm)	T (in.)	T (mm)	Y (in.)	Y (mm)
E1PBX4	4.00 x 4.00 x 4.75	102 x 102 x 121	30.5 mm	1	16	4.50 x 3.12	114 x 79	5.00 x 4.22	127 x 107	3.75	95	2.11	54
E1PBXM4	4.00 x 4.00 x 4.75	102 x 102 x 121	22.5 mm	1	16	4.50 x 3.12	114 x 79	5.00 x 4.22	127 x 107	3.75	95	2.11	54
E2PBX4	6.00 x 4.00 x 4.75	153 x 102 x 121	30.5 mm	2	14	6.50 x 3.12	165 x 79	7.00 x 4.22	178 x 107	3.75	95	1.98	50
E2PBXM4	6.00 x 4.00 x 4.75	153 x 102 x 121	22.5 mm	2	14	6.50 x 3.12	165 x 79	7.00 x 4.22	178 x 107	3.75	95	1.98	50
E3PBX4	8.00 x 4.00 x 4.75	204 x 102 x 121	30.5 mm	3	14	8.50 x 3.12	216 x 79	9.00 x 4.22	229 x 107	3.75	95	1.98	47
E3PBXM4	8.00 x 4.00 x 4.75	204 x 102 x 121	22.5 mm	3	14	8.50 x 3.12	216 x 79	9.00 x 4.22	229 x 107	3.75	95	1.98	47
E4PBX4	10.00 x 4.00 x 4.75	254 x 102 x 121	30.5 mm	4	14	10.50 x 3.12	267 x 79	11.00 x 4.22	279 x 107	3.75	95	1.73	44
E4PBXM4	10.00 x 4.00 x 4.75	254 x 102 x 121	22.5 mm	4	14	10.50 x 3.12	267 x 79	11.00 x 4.22	279 x 107	3.75	95	1.73	44



30.5mm 4-WAY



22.5mm 4-WAY

