

PIVOTRACK

INDUSTRY STANDARDS

UL 2416 Listed; File Number E230874
 Rated to 100 lbs. with a 4X safety factor

EIC 310-D

APPLICATION

PIVOTRACK is used for wall mounting and securing 19-inch rack equipment for Telecommunication rooms and other locations. It provides an economical means to support remote 19-inch rack equipment. These open frame racks are ideal for high-density cabling applications while providing maximum access to equipment and cables. PIVOTRACK is ideal for IDFs (Intermediate Distribution Frames), remote 19-inch rack equipment, building automation, security and many other applications.

FEATURES

- Designed to accommodate all standard 19-inch rack equipment
- Easy, single-tool assembly reduces installation time and cost
- Central pivot in two-position mounting provides maximum versatility
- UL double lug ground holes provide easy adherence to local bonding and grounding codes
- Lanyard pin locks rack in increments of 15°, providing a stable position for cable and equipment installs
- Preassembled for fast, time-saving installation
- Temporary mounting bracket allows for rapid, single-person wall installation
- Smart packaging with hand carrying holes allows for easy transportation
- Cable tie down points, sized for up to 1-inch Velcro® straps, provided in horizontal and vertical positions in multiple locations
- Standard 24-inch deep offering to accommodate various applications
- Open design provides for maximum access to cables and equipment
- 19-inch rack fasteners (Phillips head, pilot point, black) 12-24, quantity 20, included

PIVOTRACK HARDWARE KIT

SPECIFICATIONS

- Wall section made of heavy gauge, formed, cold rolled steel construction
- Welded pivoting rack section made of formed, cold rolled steel
- Tapped 12-24 holes per EIA Universal pattern standards (1/4-5/8-5/8-1/4)

FINISH

- Pretreated steel coated with RAL 9005 black textured, low-gloss polyester powder paint
- Mounting hardware is clear or black plate
- Rack 12-24 fasteners plated black

LOAD RATING

Static working load rating is 150 lbs. for all sizes.

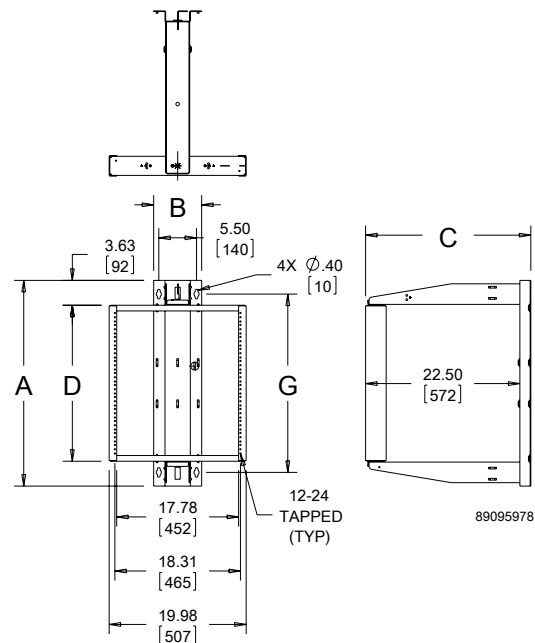
ACCESSORIES

Horizontal Cable Managers
 Blanking Panels
 Grounding kits
 Velcro Tie down straps
 PDUs
 Shelves

BULLETIN: DOFRW

Standard Product

Catalog Number	AxBxC in./mm	D in./mm	G in./mm	Rack Units
E19SWMC12U24	30.00 x 7.00 x 24.10 762 x 178 x 612	22.78 578	26 660	12
E19SWMC20U24	44.00 x 7.00 x 24.10 1118 x 178 x 612	36.75 933	40 1016	20



Kit consists of (20) 12-24x.625 pilot point screws; (1) wall clip; and installation instructions.

BULLETIN: DOFRW

Standard Product

Catalog Number	Description
EPKIT	PIVOTRACK hardware kit

Notes