

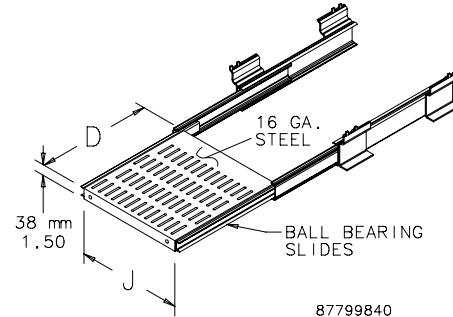
### FRAME PULL-OUT SHELF



Frame Pull-Out Shelf allows easy access to shelf-mounted devices. The shelf is 16 gauge steel with 12 gauge steel supports. The entire assembly is finished with RAL 7035 textured gray polyester powder paint. The shelf mounts to the front and rear frame uprights. Load rating is 110 lb. (50 kg).

BULLETIN: P20

Catalog Number	D (mm)	D (in.)	J (mm)	J (in.)	Shelf Extension (mm)	Shelf Extension (in.)
PFSHP66	461	18.15	475	18.70	450	17.72
PFSHP68	661	26.02	475	18.70	670	26.38
PFSHP86	461	18.15	675	26.58	450	17.72
PFSHP88	661	26.02	675	26.58	670	26.38



### FRAME SHELF

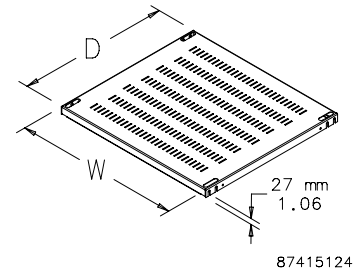


Vented Frame Shelf mounts to the vertical hole pattern on a frame and provides a stationary surface for equipment. The shelf is 16 gauge steel finished with RAL 7035 textured gray polyester powder paint.

BULLETIN: P20

Catalog Number	D (mm)	D (in.)	W (mm)	W (in.)
PFSH64	300	11.81	548	21.57
PFSH65	400	15.75	548	21.57
PFSH66	500	19.68	548	21.57
PFSH68	700	27.56	548	21.57
PFSH69	800	31.50	548	21.57

Catalog Number	D (mm)	D (in.)	W (mm)	W (in.)
PFSH75	400	15.75	648	25.51
PFSH76	500	19.68	648	25.51
PFSH78	700	27.56	648	25.51
PFSH84	300	11.81	748	29.45
PFSH85	400	15.75	748	29.45
PFSH86	500	19.68	748	29.45
PFSH88	700	27.56	748	29.45
PFSH89	800	31.50	748	29.45
PFSH104	300	11.81	948	37.32
PFSH105	400	15.75	948	37.32
PFSH106	500	19.68	948	37.32
PFSH108	700	27.56	948	37.32

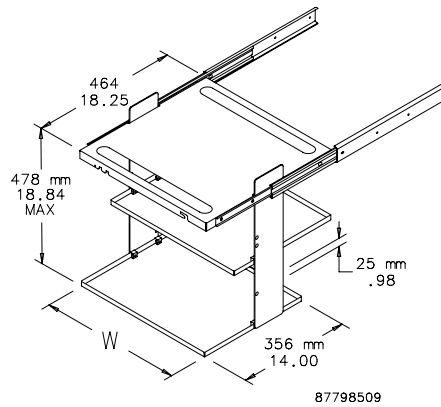


### PRINTER SHELF



The Printer Shelf is used for supporting a continuous feed printer. The shelf mounts directly to a PROLINE frame. Paper shelves are vertically adjustable. The entire unit slides out 17 in. from the enclosure, allowing easy accessibility. Fits 600- or 800-mm wide frames that are 600-mm or more deep.

BULLETIN: P20

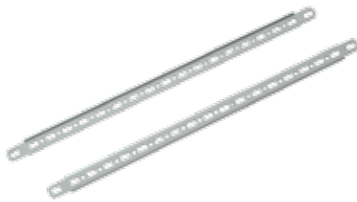


Catalog Number	Fits (mm)	W (mm)	W (in.)
PPSH66	600 x 600 or 600 x 800	464	18.27
PPSH86	800 x 600 or 800 x 800	663	26.10

PPSH66 can be installed with paper slots positioned front and back or right and left.

Grid straps are required when mounting printer shelf in frames deeper than 600 mm.

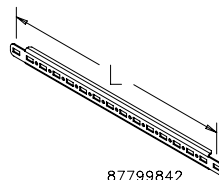
### WIRE MANAGEMENT RAILS



Wire Management Rails are 14 gauge steel with a plated finish. They feature a unique hole pattern that allows either wire ties or fasteners to secure wires in place. Frame-mounting hardware is included. One package contains 20 rails.

BULLETIN: P20

Catalog Number	L (mm)	L (in.)	Fits Frame Depth
PWMR4	304	12.0	400
PWMR5	404	15.9	500
PWMR6	504	19.8	600
PWMR8	704	27.7	800
PWMR9	775	30.51	900



### DOOR-ACTIVATED LIGHT SWITCH KIT



Door-activated switch mounts to the frame and includes mounting hardware. Mounting plate is 14 gauge steel with a plated finish.

BULLETIN: P20

Catalog Number	Description
PLFSWD	Door-activated light switch kit