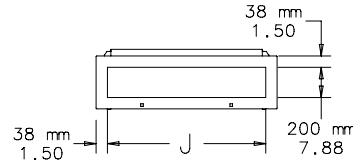
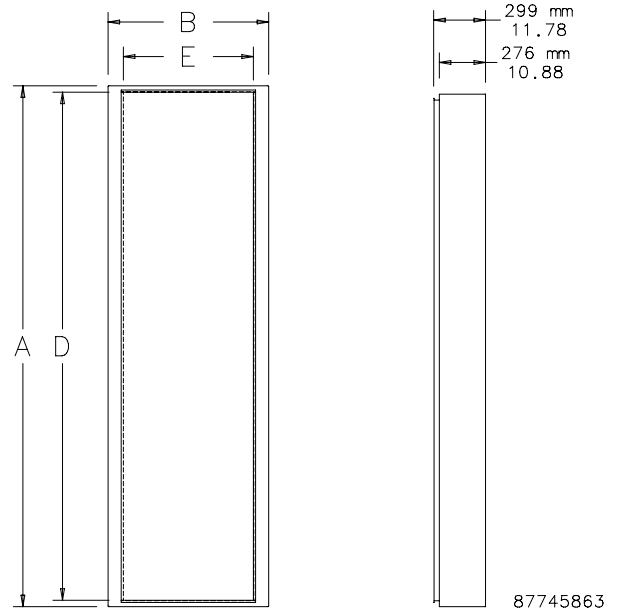


CABLE ENTRY CABINETS



Cable Entry Cabinets are made from 14 gauge steel and finished in RAL 7035 textured light-gray polyester powder paint. They facilitate cable entry into the sides of enclosures. Open top and bottom of cabinet provide cable access and a means for managing cable. Closure plates, available as optional accessories, seal the open ends of the cabinet. Front opening of cabinet can be closed with either hinged solid door or screw-on solid cover. Cabinets have foam-in-place gasket and optional accessories to maintain enclosure environmental integrity.

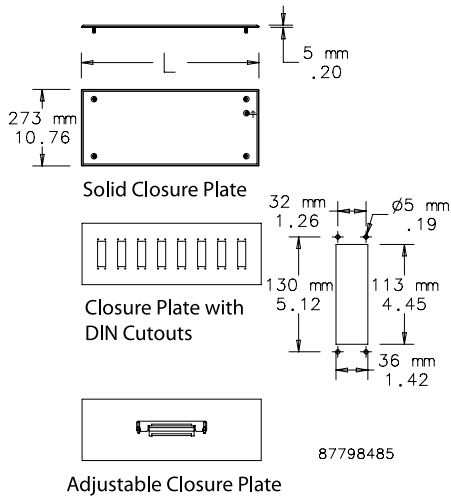
BULLETIN: P20

Catalog Number	AxBxC mm/in.	Fits Frame	D mm/in.	E mm/in.	J mm/in.
PCE165300	1600 x 500 62.99 x 19.69	1600 tall x 500 deep	1518 59.78	415 16.34	424 16.69
PCE166300	1600 x 600 62.99 x 23.62	1600 tall x 600 deep	1518 59.78	515 20.28	524 20.62
PCE168300	1600 x 800 62.99 x 31.50	1600 tall x 800 deep	1518 59.78	715 28.15	724 28.50
PCE186300	1800 x 600 70.87 x 23.62	1800 tall x 600 deep	1718 67.65	515 20.28	524 20.62
PCE188300	1800 x 800 70.87 x 31.50	1800 tall x 800 deep	1718 67.65	715 28.15	724 28.50
PCE205300	2000 x 500 78.74 x 19.69	2000 tall x 500 deep	1918 75.52	415 16.34	424 16.69
PCE206300	2000 x 600 78.74 x 23.62	2000 tall x 600 deep	1918 75.52	515 20.28	524 20.62
PCE208300	2000 x 800 78.74 x 31.50	2000 tall x 800 deep	1918 75.52	715 28.15	724 28.50
PCE225300	2200 x 500 86.61 x 19.69	2200 tall x 500 deep	2118 83.40	415 16.34	424 16.69
PCE226300	0.00	2200 tall x 500 deep	2118 83.40	515 20.28	524 20.62
PCE228300	2200 x 800 86.61 x 31.50	2200 tall x 500 deep	2118 83.40	715 28.15	724 28.50

CLOSURE PLATES

Closure Plates seal the ends of the Cable Entry Cabinet. Made from 14 gauge steel and finished with RAL 7035 textured gray polyester powder paint.

BULLETIN: P20, P40



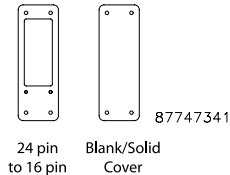
Catalog Number	Description	L mm/in.	Number of DIN Cutouts
PCECGPD5	With DIN cutouts - Fits 500-mm wide cable entry cabinets	497 / 19.57	5
PCECGPD8	With DIN cutouts - Fits 800-mm wide cable entry cabinets	797 / 31.38	8
PCEGPA6	Adjustable - Fits 600-mm wide cable entry cabinets	597 / 23.51	—
PCEGPA8	Adjustable - Fits 800-mm wide cable entry cabinets	797 / 31.38	—
P2FCP4	Solid - Fits 400-mm wide cable entry cabinets	397 / 15.63	—
P2FCP5	Solid - Fits 500-mm wide cable entry cabinets	497 / 19.57	—
P2FCP6	Solid - Fits 600-mm wide cable entry cabinets	597 / 23.51	—
P2FCP8	Solid - Fits 800-mm wide cable entry cabinets	797 / 31.38	—
P2FCP10	Solid - Fits 1000-mm wide cable entry cabinets	997 / 39.26	—

CLOSURE PLATE ADAPTERS FOR CUTOUTS

Adapters are used with closure plates containing cutouts. Made from 12 gauge steel and finished with RAL 7035 textured gray polyester powder paint. Allows the option of adapting from 24-pin to 16-pin, 24-pin to 10-pin, 24-pin to 6-pin and 24-pin to no pins (blank).

BULLETIN: P20

Closure Plate Adapters



Catalog Number	Description	Adapter Qty./Package
PAD240	From 24-pin to blank solid cover	1
PAD2416	From 24-pin to 16-pin	1
PAD2410	From 24-pin to 10-pin	1
PAD246	From 24-pin to 6-pin	1

Adapters fit all cable entry cabinets and barriers with 24-pin DIN connector cutouts.