

DOUBLE-BAY FRAMES

FEATURES

PROLINE offers the broadest range of standard sizes in the industry.

Standard Product

| Catalog Number | AxBxC mm/in. | Nominal Frame Size A x B x C | Maximum Subpanel Size mm/in. | Maximum Rack Mounting Space |
|----------------|--|------------------------------|------------------------------|-----------------------------|
| PF7126 | 700 x 1200 x 600 27.56 x 47.24 x 23.62 | 700 x 1200 x 600 | 585 x 1130 23.03 x 44.49 | 13U x 2 |
| PF12125 | 1200 x 1200 x 500 47.24 x 47.24 x 19.69 | 1200 x 1200 x 500 | 1085 x 1130 42.72 x 44.49 | 23U x 2 |
| PF14125 | 1400 x 1200 x 500 55.12 x 47.24 x 19.69 | 1400 x 1200 x 500 | 1285 x 1130 50.59 x 44.49 | 28U x 2 |
| PF16125 | 1600 x 1200 x 500 62.99 x 47.24 x 19.69 | 1600 x 1200 x 500 | 1485 x 1130 58.46 x 44.49 | 33U x 2 |
| PF16126 | 1600 x 1200 x 600 62.99 x 47.24 x 23.62 | 1600 x 1200 x 600 | 1485 x 1130 58.46 x 44.49 | 33U x 2 |
| PF16128 | 1600 x 1200 x 800 62.99 x 47.24 x 31.50 | 1600 x 1200 x 800 | 1485 x 1130 58.46 x 44.49 | 33U x 2 |
| PF18124 | 1800 x 1200 x 400 70.87 x 47.24 x 15.75 | 1800 x 1200 x 400 | 1685 x 1130 66.34 x 44.49 | 38U x 2 |
| PF18125 | 1800 x 1200 x 500 70.87 x 47.24 x 19.69 | 1800 x 1200 x 500 | 1685 x 1130 66.34 x 44.49 | 38U x 2 |
| PF18126 | 1800 x 1200 x 600 70.87 x 47.24 x 23.62 | 1800 x 1200 x 600 | 1685 x 1130 66.34 x 44.49 | 38U x 2 |
| PF18128 | 1800 x 1200 x 800 70.87 x 47.24 x 31.50 | 1800 x 1200 x 800 | 1685 x 1130 66.34 x 44.49 | 38U x 2 |
| PF18164 | 1800 x 1600 x 400 70.87 x 62.99 x 15.75 | 1800 x 1600 x 400 | 1685 x 1530 66.34 x 60.24 | 38U x 2 |
| PF18165 | 1800 x 1600 x 500 70.87 x 62.99 x 19.69 | 1800 x 1600 x 500 | 1685 x 1530 66.34 x 60.24 | 38U x 2 |
| PF18166 | 1800 x 1600 x 600 70.87 x 62.99 x 23.62 | 1800 x 1600 x 600 | 1685 x 1530 66.34 x 60.24 | 38U x 2 |
| PF18168 | 1800 x 1600 x 800 70.87 x 62.99 x 31.50 | 1800 x 1600 x 800 | 1685 x 1530 66.34 x 60.24 | 38U x 2 |
| PF18185 | 1800 x 1800 x 500 70.87 x 70.87 x 19.69 | 1800 x 1800 x 500 | 1685 x 1730 66.34 x 66.34 | 38U x 2 |
| PF18186 | 1800 x 1800 x 600 70.87 x 70.87 x 23.62 | 1800 x 1800 x 600 | 1685 x 1730 66.34 x 66.34 | 38U x 2 |
| PF20124 | 2000 x 1200 x 400 78.74 x 47.24 x 15.75 | 2000 x 1200 x 400 | 1885 x 1130 74.21 x 44.49 | 42U x 2 |
| PF20125 | 2000 x 1200 x 500 78.74 x 47.24 x 19.69 | 2000 x 1200 x 500 | 1885 x 1130 74.21 x 44.49 | 42U x 2 |
| PF20126 | 2000 x 1200 x 600 78.74 x 47.24 x 23.62 | 2000 x 1200 x 600 | 1885 x 1130 74.21 x 44.49 | 42U x 2 |
| PF20128 | 2000 x 1200 x 800 78.74 x 47.24 x 31.50 | 2000 x 1200 x 800 | 1885 x 1130 74.21 x 44.49 | 42U x 2 |

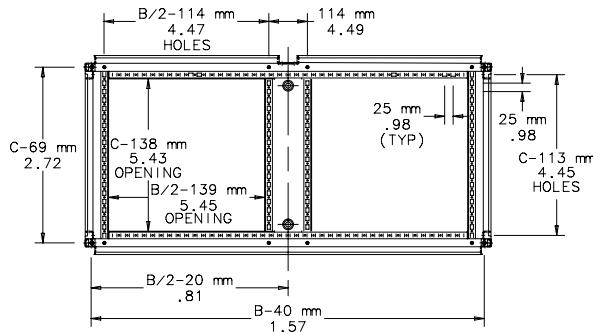
SPECIFICATIONS

- Welded back centerpost
- No front centerpost for easy component installation
- Center top and bottom frame sections for internal component mounting
- Optional center uprights available to support mounting options
- Welded corners with steel corner blocks that add strength and rigidity
- 12 gauge, roll-formed frame sections for strength
- Flange on door and side openings deflects liquids away from the enclosure interior
- Rectangular frame holes are designed for metric cage nut fasteners
- Round frame holes allow numerous grounding locations using M5 thread-forming screws
- Access to both sides of frame mounting holes allows standard components to be easily installed
- Provisions for slide-in subpanel, rack mounting and accessory mounting
- Simple means for joining frames to create multiple-bay enclosures
- An open roll-formed profile design affords complete surface corrosion protection and assembly access
- Sealed mounting for all external accessories
- Finished with RAL 7035 textured light-gray polyester powder paint

BULLETIN: P20

| Catalog Number | AxBxC mm/in. | Nominal Frame Size A x B x C | Maximum Subpanel Size mm/in. | Maximum Rack Mounting Space |
|----------------|--|------------------------------|------------------------------|-----------------------------|
| PF20165 | 2000 x 1600 x 500 78.74 x 62.99 x 19.69 | 2000 x 1600 x 500 | 1885 x 1530 74.21 x 60.24 | 42U x 2 |
| PF20166 | 2000 x 1600 x 600 78.74 x 62.99 x 23.62 | 2000 x 1600 x 600 | 1885 x 1530 74.21 x 60.24 | 42U x 2 |
| PF20168 | 2000 x 1600 x 800 78.74 x 62.99 x 31.50 | 2000 x 1600 x 800 | 1885 x 1530 74.21 x 60.24 | 42U x 2 |
| PF20185 | 2000 x 1800 x 500 78.74 x 70.87 x 19.69 | 2000 x 1800 x 500 | 1885 x 1730 74.21 x 68.11 | 42U x 2 |
| PF20186 | 2000 x 1800 x 600 78.74 x 70.87 x 23.62 | 2000 x 1800 x 600 | 1885 x 1730 74.21 x 68.11 | 42U x 2 |
| PF20188 | 2000 x 1800 x 800 78.74 x 70.87 x 31.50 | 2000 x 1800 x 800 | 1885 x 1730 74.21 x 68.11 | 42U x 2 |
| PF22125 | 2200 x 1200 x 500 86.61 x 47.24 x 19.69 | 2200 x 1200 x 500 | 2085 x 1130 82.09 x 44.49 | 47U x 2 |
| PF22126 | 2200 x 1200 x 600 86.61 x 47.24 x 23.62 | 2200 x 1200 x 600 | 2085 x 1130 82.09 x 44.49 | 47U x 2 |
| PF22128 | 2200 x 1200 x 800 86.61 x 47.24 x 31.50 | 2200 x 1200 x 800 | 2085 x 1130 82.09 x 44.49 | 47U x 2 |

1 rack unit = 1.75 in. (44 mm)



- NOTE:
1. Includes frame and frame nuts (12) to attach exterior components
 2. 700mm tall frames include frame nuts (8)

