

TWO-DOOR STAINLESS STEEL FLANGE-MOUNTED DISCONNECTS, TYPE 4X



INDUSTRY STANDARDS

UL 508A Listed; Type 3R, 4, 4X, 12; File No. E61997
 cUL Listed per CSA C22.2 No. 94; Type 3R, 4, 4X, 12; File No. E61997

NEMA/EEMAC Type 3R, 4, 4X, 12
 CSA File No. 42186: Type 4, 4X, 12
 IEC 60529, IP66
 Meets NEMA Type 3RX requirements

SPECIFICATIONS

- Manufactured from 12 gauge Type 304 stainless steel
- Seams continuously welded and ground smooth
- Body stiffeners in larger enclosures for extra rigidity
- Body flange trough collar excludes liquids and contaminants
- Removable centerposts permit easy panel installation
- Heavy-gauge continuous hinges
- Heavy-duty lifting eyes are Type 316 stainless steel
- Data pocket is high-impact thermoplastic
- 15-in. floor stands are welded to enclosure
- Seamless foam-in-place gasket provides oil-tight and dust-tight seal against contaminants
- Panel supports
- Collar studs provided for mounting optional panels
- Heavy-duty 3-point latching mechanism operated by Type 316 stainless steel POWERGLIDE padlocking handle on all doors
- Master door is right-hand door on X enclosures and left-hand door on CPX enclosures
- Type 316 stainless steel handle with defeater on master door
- Type 316 stainless steel handle (non-defeater) on slave door
- Mechanical interlock operated by master door prevents slave door from being opened first; doors can be closed in any order
- Preferred cutout on right flange provides mounting for most disconnect operators
- Bonding provision on doors; grounding studs on body
- Accessory mounting channel provided in enclosure top

FINISH

Stainless steel enclosures are unpainted. Sides and body have smooth #4 brushed finish. Optional mild steel panels are painted white. Optional conductive panels are available.

ACCESSORIES

See also Accessories.
 Blank Adapter Plates, Mild Steel
 INTERSAFE Data Interface Ports, Type 4/4X/12
 Operator Adapters for Universal Cutouts
 PANELITE Enclosure Lights
 Panels for Type 3R, 4, 4X, 12 and 13 Enclosures
 Steel and Stainless Steel Window Kits

MODIFICATION AND CUSTOMIZATION

Hoffman excels at modifying and customizing products to your specifications. Contact your local Hoffman sales office or distributor for complete information.

PATENTS

US 5,634,357
 D 385,7683

BULLETIN: A21S4

Standard Product **Two-Door with Provision for Disconnect Operator on Right Flange**

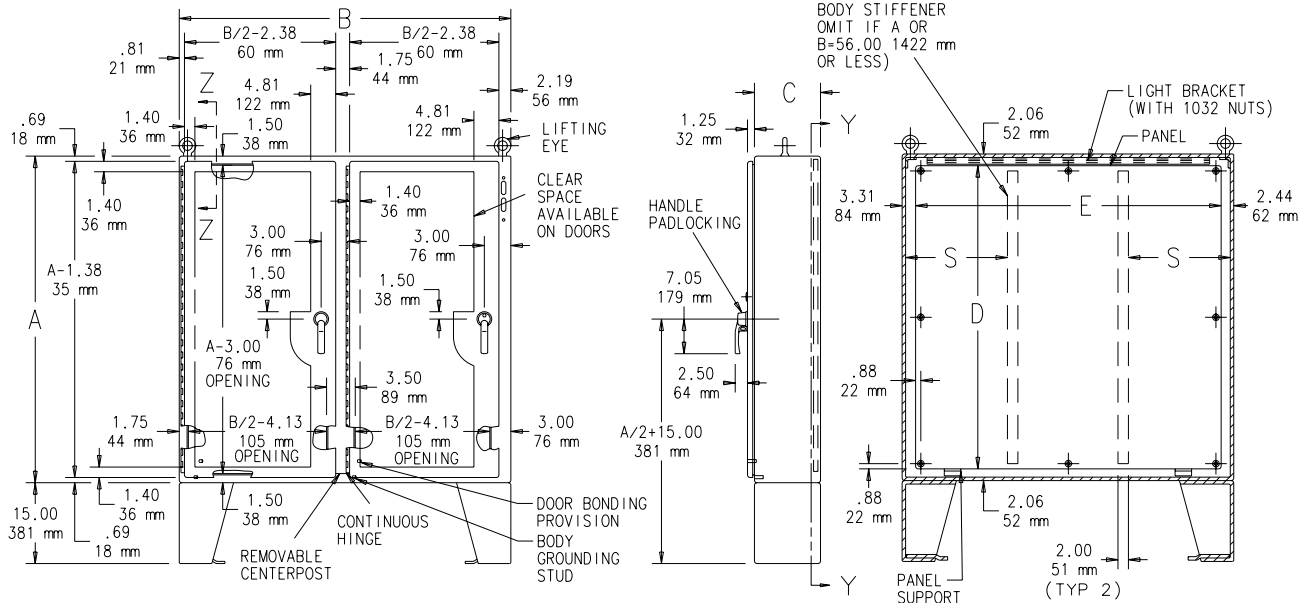
Catalog Number	AxBxC in./mm	Panel	Conductive Panel	Panel Size D x E in./mm
A60X4912SSLPN4	60.12 x 49.79 x 12.12 1527 x 1265 x 308	A60P48	A60P48G	56.00 x 44.00 1422 x 1118
A60X6112SSLPN4	60.12 x 61.75 x 12.12 1527 x 1568 x 308	A60P60	A60P60G	56.00 x 56.00 1422 x 1422
A72X6112SSLPN4	72.12 x 61.75 x 12.12 1832 x 1568 x 308	A72P60	A72P60G	68.00 x 56.00 1727 x 1422
A72X7312SSLPN4	72.12 x 73.75 x 12.12 1832 x 1873 x 308	A72P72	A72P72G	68.00 x 68.00 1727 x 1727
A60X4918SSLPN4	60.12 x 49.75 x 18.12 1527 x 1264 x 460	A60P48	A60P48G	56.00 x 44.00 1422 x 1118
A60X6118SSLPN4	60.12 x 61.75 x 18.12 1527 x 1568 x 460	A60P60	A60P60G	56.00 x 56.00 1422 x 1422
A72X6118SSLPN4	72.12 x 61.75 x 18.12 1832 x 1568 x 460	A72P60	A72P60G	68.00 x 56.00 1727 x 1422
A72X7318SSLPN4	72.12 x 73.75 x 18.12 1832 x 1873 x 460	A72P72	A72P72G	68.00 x 68.00 1727 x 1727
A72X7324SSLPN4	72.12 x 73.75 x 24.12 1832 x 1873 x 613	A72P72	A72P72G	68.00 x 68.00 1727 x 1727

Purchase panels separately.

All 24.12-in. (613 mm) and deeper enclosures using short connecting rods in the following models require a Hoffman platform assembly, catalog number ADSCPA, purchased separately. • ABB Controls flange-operated devices • Eaton Cutler-Hammer C361 devices • Eaton Cutler-Hammer C371 mechanisms which use C371E, F, G, K operating mechanism • General Electric Type TDA devices (see next paragraph for option) • Schneider Square D Class 9422 devices (see next paragraph for option)

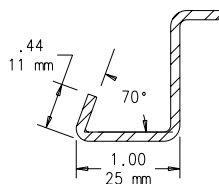
The platform assembly can be omitted if long connecting rods are ordered in place of short connecting rods. • For Eaton Cutler-Hammer operating mechanisms C371E and C371F order catalog number C371CS1 connecting rod. For C371G and C371K order catalog number C371CS2 connecting rod. • For General Electric devices, order catalog number TDSR extended length drive rod • For Schneider Square D devices, order catalog number 9422-R2 extra long operating rod(s). Some devices require two rods. Consult factory for space occupied on panel when platform is used.

Disconnect Operator on the Right Flange



- NOTES: 1. Optional panels are 10 gauge steel. Right door is master door.
2. Right door includes removable 12.00 x 12.00 (305mm x 305mm) data pocket.

SECTION Y-Y



SECTION Z-Z

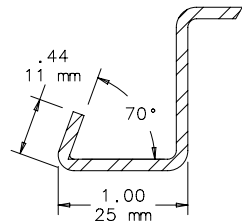
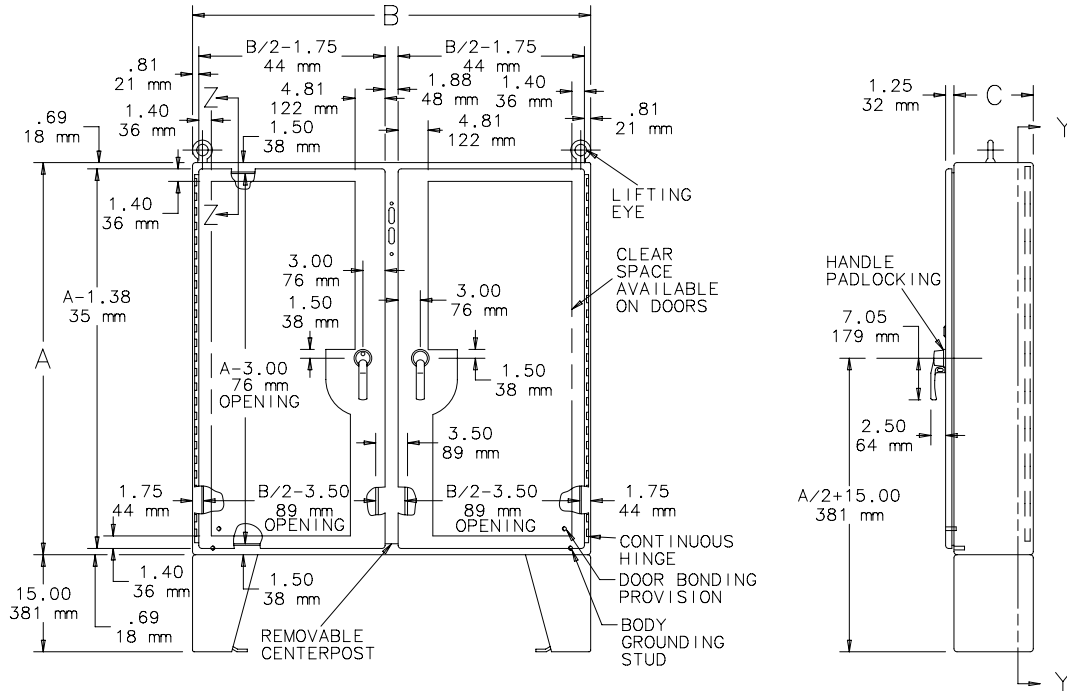
87568837

Standard Product **Two-Door with Provision for Disconnect Operator on Centerpost**

Catalog Number	AxBxC in./mm	Panel	Conductive Panel	Panel Size D x E in./mm
A60CPX4812SSLPN4	60.12 x 48.50 x 12.12 1527 x 1232 x 308	A60P48	A60P48G	56.00 x 44.00 1422 x 1118
A60CPX6012SSLPN4	60.12 x 60.50 x 12.12 1527 x 1537 x 308	A60P60	A60P60G	56.00 x 56.00 1422 x 1422
A72CPX7212SSLPN4	72.12 x 72.50 x 12.12 1832 x 1842 x 308	A72P72	A72P72G	68.00 x 68.00 1727 x 1727
A72CPX7218SSLPN4	72.12 x 72.50 x 18.12 1832 x 1842 x 460	A72P72	A72P72G	68.00 x 68.00 1727 x 1727

Purchase panels separately.

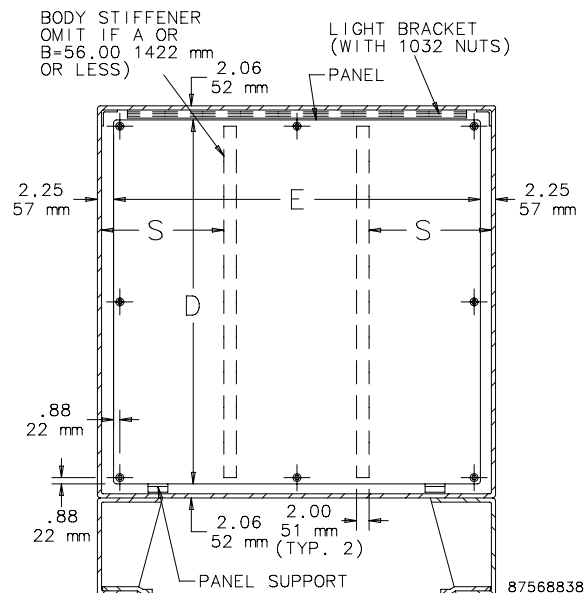
Disconnect Operator on the Centerpost Flange



SECTION Z-Z

NOTES:

- Optional panels are 10 gauge steel. Left door is master door.
- Right door includes removable 12.00 x 12.00 (305mm x 305mm) data pocket.



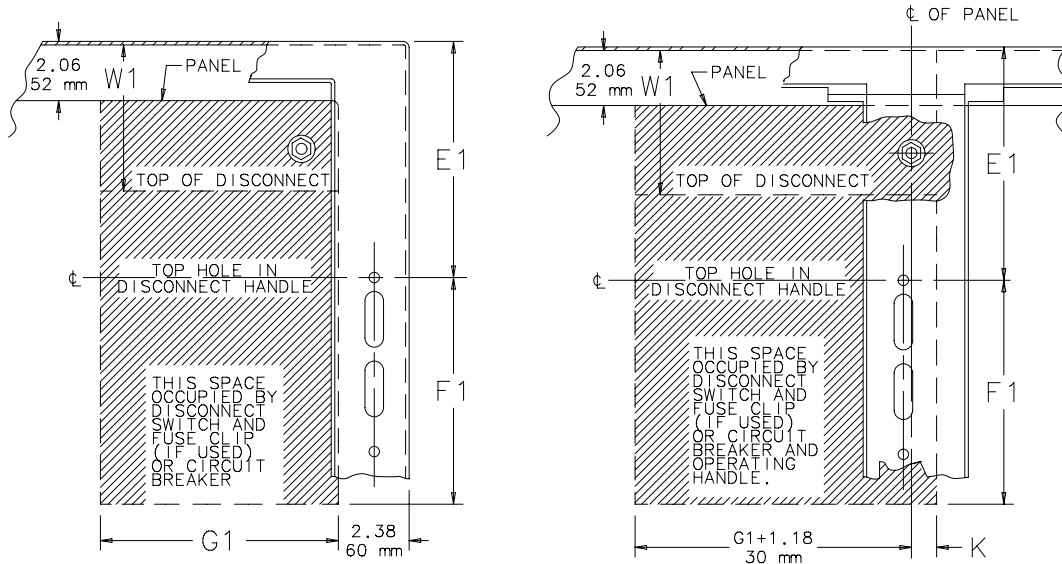
SECTION Y-Y

DISCONNECT MOUNTING SPACE

Disconnects will occupy space on panel shown by dimensions E1, F1, G1 and K. Wiring Space W1 is available when disconnect is installed in the enclosure. See the Technical Information chapter for E1 Spacing by Enclosure Height for various disconnect switch manufacturers.

Refer to *National Electrical Code*®, 2005 article 430-10(b) for wiring space required for line side conductors to be connected to disconnect.

Verify your application to determine if wiring space is adequate.



Consult disconnect manufacturer for F1 and G1 dimensions.

11C59193

PREFERRED-CUTOUT OVERVIEW



APPLICATION

Enclosures having the preferred cutout are sized for use with up to 200A disconnect switches and up to 400A circuit breakers unless otherwise specified. The preferred cutout accepts the smaller operating handle whose mounting hole centers are 4.688 in. apart. Preferred cutouts are standard in mild steel wall-mount enclosures, modular enclosures and some select large mild steel enclosures. They are also present on all standard stainless steel offerings. 400 A (or greater) disconnect switches and 600 A (or greater) circuit breakers require the "Large" or "High Amp" cutout. This cutout accepts the larger operating handle whose mounting hole centers are 6.500-in. apart. This large cutout is only available on PROLINE-DD Disconnect Packages and Type 1 Free-Stand Enclosures.

Operator adapter for preferred cutouts must be ordered separately to be used with A21S, A28S4, A4S and WS2D enclosures. Preferred cutouts are designed to house the following:

Allen-Bradley

- Bulletin 1494U universal disconnect switches with flange-mount handles for either variable-depth or cable-operated mechanisms

- Bulletin 1494V disconnect switches with flange-mount variable-depth operating mechanisms and Bulletin 1494V flange-mount variable-depth operating mechanisms for circuit breakers
- Bulletin 140U flexible cable operating mechanisms for 140U molded case circuit breakers
- Bulletin 140G flexible cable and variable-depth, flange-mount, molded case circuit breakers
- Bulletin 1494C cable-operated disconnect switches with flange-mount handles
- Bulletin 194RC cable-operated flange-mount handles for use with the NFPA 79 compliant 194R IEC rotary disconnect switches *Allen-Bradley Bulletin 1494V-R1, -R2 and -W2 operating handles and Allen-Bradley Bulletin 1494F disconnect devices or Bulletin 1494D circuit breaker operators will NOT fit these enclosures.*

ABB Controls flange-mount variable-depth operating mechanisms for disconnect switches and circuit breakers. Also the cable version for circuit breakers.

Eaton Cutler-Hammer Type C361 flange-mount variable-depth operating mechanisms with disconnect switches and Type C371 flange-mount variable-depth operating mechanisms for circuit breakers.

General Electric Type STDA flange handles and variable-depth operating mechanisms for disconnect switches and circuit breakers. Also SPECTRAFLEX cable operators for circuit breakers.

Siemens ITE MAX FLEX® flange-mount variable-depth operating handles for circuit breakers.

Schneider Square D® Class 9422 disconnect switches with flange-mount variable-depth operating mechanisms or cable mechanisms and Class 9422 flange-mount variable-depth operating mechanisms or cable mechanisms for circuit breakers. *These enclosures will NOT accept Square D Class 9422 bracket-mounted disconnect devices, Class 9422TG1 or TG2 devices.*

ORDERING

Order the disconnect switch, operating handle and operating mechanism separately. See Technical Information in the Hoffman Specifier's Guide for wire bend space available when various manufacturers' disconnect switches are installed. Check the enclosure dimension drawings to verify the chosen disconnect switch will fit in the enclosure.



Notes