

INLINE LANDSCAPE, TYPE 4X

INDUSTRY STANDARDS

 UL 508A Listed; Type 4, 4X, 12; File Number E61997
 cUL Listed per CSA C22.2 No 94; Type 4, 4X, 12; File Number E61997

 NEMA/EEMAC Type 4, 4X, 12
 CSA File Number 42186: Type 4, 4X, 12
 IEC 60529, IP66

APPLICATION

When applications require mounting electrical components the full width of the enclosure, the landscape orientation of this aesthetic INLINE Enclosure makes this possible. The full-width mounting brackets can be drilled anywhere along their length, providing maximum mounting flexibility.

SPECIFICATIONS

- 14 gauge Type 304 stainless steel body; 16 gauge Type 304 stainless steel door
- Seams continuously welded and ground smooth
- External formed body flange trough
- Large perimeter body opening
- Mounting brackets are spot-welded to top and bottom of enclosure
- Mounting brackets have predrilled mounting holes; customer-specific location holes can be drilled for mounting flexibility

- Seamless foam-in-place gasket
- M6 ground stud with base flange on body; M6 bonding provision with base flange on door
- Furnished hardware kit includes panel mounting screws and grounding hardware
- Hinged door with removable hinge pins and self-grounding quarter-turn latch system with double seal
- Door opens 180 degrees
- Window door models include 3/16-in. (4.8-mm) clear polycarbonate window mounted flush with door surface

FINISH

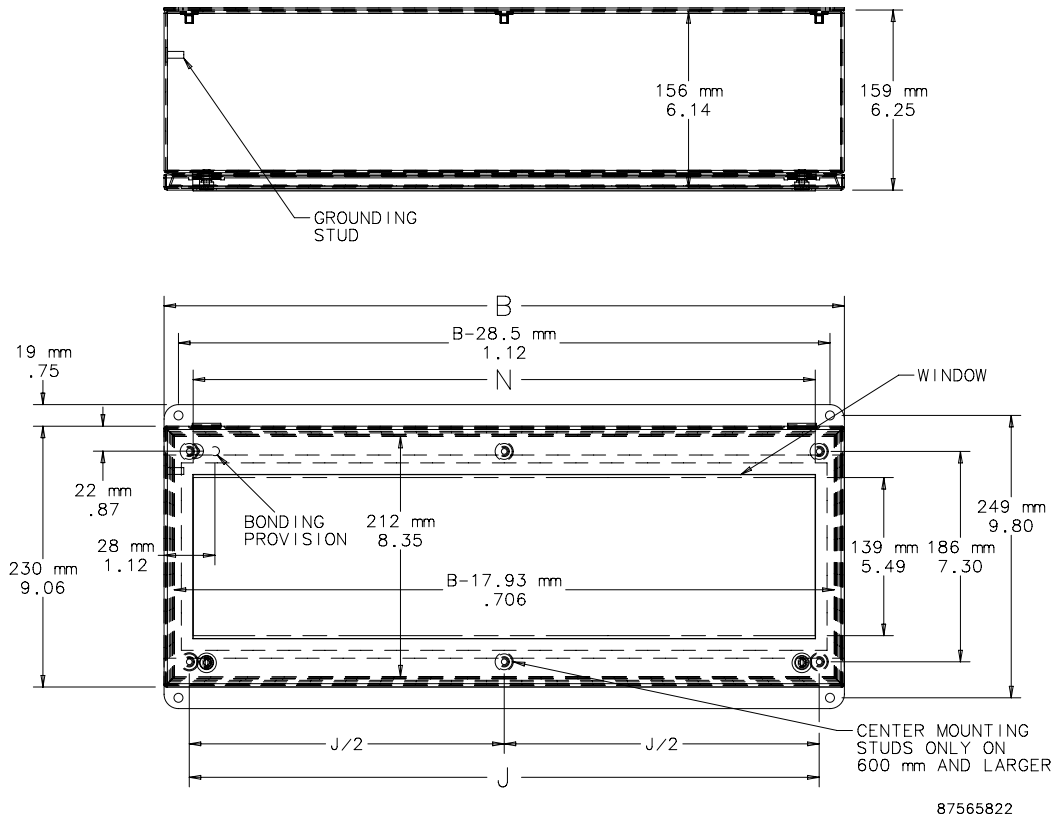
Type 304 stainless steel with #4 brushed finish. Back is not brushed.

ACCESSORIES

 Mounting Bracket Kit
 Lock Inserts
 Wing Knob Latch
 Grounding Kit
 DIN3 Type Rails
 DIN Rail or Panel-Mounting Brackets

BULLETIN: A54S
Standard Product

Catalog Number	AxBxC in./mm	Enclosure B mm/in.	Window N mm/in.	Mtg. Holes H mm/in.	Mtg. Studs J mm/in.	Clear Space Above Panel mm/in.
LHC233116SS	9.06 x 12.20 x 6.10	310	—	281	265	140
	230 x 310 x 155	12.21	—	11.08	10.45	5.51
LWC233116SS	9.06 x 12.20 x 6.10	310	259	281	265	140
	230 x 310 x 155	12.21	10.20	11.08	10.45	5.51
LHC234616SS	9.06 x 18.11 x 6.10	460	—	431	416	140
	230 x 460 x 155	18.11	—	16.99	16.36	5.51
LWC234616SS	9.06 x 18.11 x 6.10	460	409	431	416	140
	230 x 460 x 155	18.11	16.11	16.99	16.36	5.51
LHC236016SS	9.06 x 23.62 x 6.10	600	—	571	556	140
	230 x 600 x 155	23.62	—	22.50	21.88	5.51
LWC236016SS	9.06 x 23.62 x 6.10	600	549	571	556	140
	230 x 600 x 155	23.62	21.62	22.50	21.88	5.51
LHC237716SS	9.06 x 30.31 x 6.10	770	—	741	726	140
	230 x 770 x 155	30.32	—	29.19	28.57	5.51
LWC237716SS	9.06 x 30.31 x 6.10	770	719	741	726	140
	230 x 770 x 155	30.32	28.31	29.19	28.57	5.51
LHC239316SS	9.06 x 36.61 x 6.10	925	—	896	881	140
	230 x 930 x 155	36.42	—	35.29	34.67	5.51
LWC239316SS	9.06 x 36.61 x 6.10	925	874	896	881	140
	230 x 930 x 155	36.42	34.42	35.29	34.67	5.51

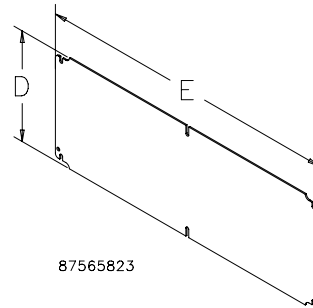


LANDSCAPE PANELS

Panels are 12 gauge steel with a white polyester powder paint or conductive finish. They include a labeled ground hole sized for an M6 screw. Panels mount on studs provided in the enclosure or to optional DIN mounting brackets.

BULLETIN: A54P

Catalog Number	Conductive Panel	Material	Panel Size D x E (mm)	Panel Size D x E (in.)
LP2331	LP2331G	Painted Steel	211 x 291	8.31 x 11.46
LP2346	LP2346G	Painted Steel	211 x 441	8.31 x 17.36
LP2360	LP2360G	Painted Steel	211 x 581	8.31 x 22.87
LP2377	LP2377G	Painted Steel	211 x 751	8.31 x 29.57
LP2393	LP2393G	Painted Steel	211 x 906	8.31 x 35.67



OPTIONAL COMPONENTS SELECTION GUIDE

Use the table to assist with selection of the optional components for the appropriate INLINE enclosure.

BULLETIN: A54S

Catalog Number	AxBxC in.	AxBxC mm	Solid or Window Cover Enclosure	Panel	Conductive	DIN Rail	DIN Rail or Panel Mounting Bracket
LHC233116SS	9.06 x 12.20 x 6.10	230 x 310 x 155	Solid Cover	LP2331	LP2331G	LDR3P31	LMK23
LWC233116SS	9.06 x 12.20 x 6.10	230 x 310 x 155	Window Cover	LP2331	LP2331G	LDR3P31	LMK23
LHC234616SS	9.06 x 18.11 x 6.10	230 x 460 x 155	Solid Cover	LP2346	LP2346G	LDR3P46	LMK23
LWC234616SS	9.06 x 18.11 x 6.10	230 x 460 x 155	Window Cover	LP2346	LP2346G	LDR3P46	LMK23
LHC236016SS	9.06 x 23.62 x 6.10	230 x 600 x 155	Solid Cover	LP2360	LP2360G	LDR3P60	LMK23
LWC236016SS	9.06 x 23.62 x 6.10	230 x 600 x 155	Window Cover	LP2360	LP2360G	LDR3P60	LMK23
LHC237716SS	9.06 x 30.31 x 6.10	230 x 770 x 155	Solid Cover	LP2377	LP2377G	LDR3P77	LMK23
LWC237716SS	9.06 x 30.31 x 6.10	230 x 770 x 155	Window Cover	LP2377	LP2377G	LDR3P77	LMK23
LHC239316SS	9.06 x 36.61 x 6.10	230 x 930 x 155	Solid Cover	LP2393	LP2393G	LDR3P93	LMK23
LWC239316SS	9.06 x 36.61 x 6.10	230 x 930 x 155	Window Cover	LP2393	LP2393G	LDR3P93	LMK23

600-mm and longer enclosures require two sets of brackets for mounting panels.