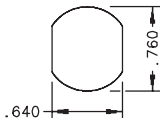


# Cylinder Lock Kit

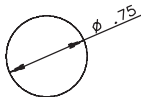
## **⚠ WARNING**

To avoid electric shock, do not energize any circuits before all internal and external electrical and mechanical clearances are checked to assure that all assembled equipment functions safely and properly.

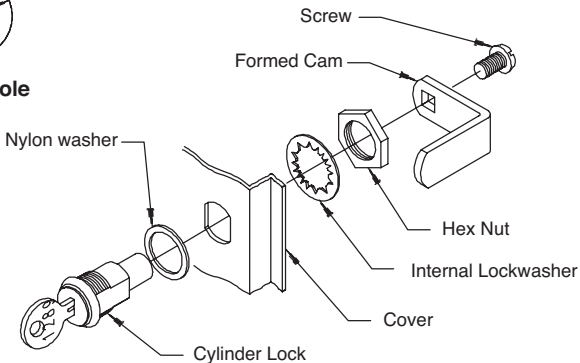
### Mounting Hole Required



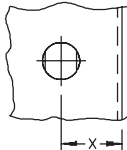
### Punched Hole (Preferred)



### Drilled Hole



### Location of Mounting Hole On Large CH Boxes



X = 1.78 When B = 24 or less

X = 2.28 When B = more than 24

### Location of Mounting Hole On JIC Boxes

