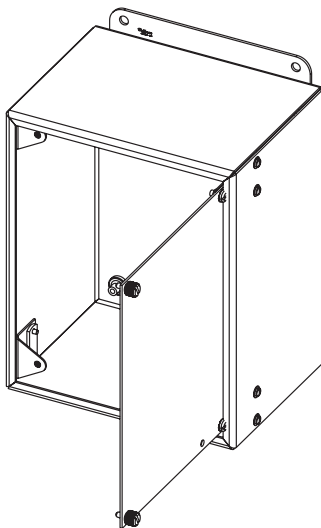




HOFFMAN

JIC Swing-Out Panel Kit

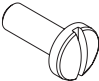

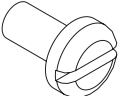



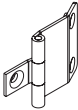
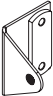
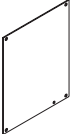




WARNING



To avoid electric shock and equipment damage, disconnect any power supplies to the enclosure before drilling mounting holes. Do not energize any circuits before all internal and external electrical and mechanical clearances are checked to assure that all assembled equipment functions safely and properly.

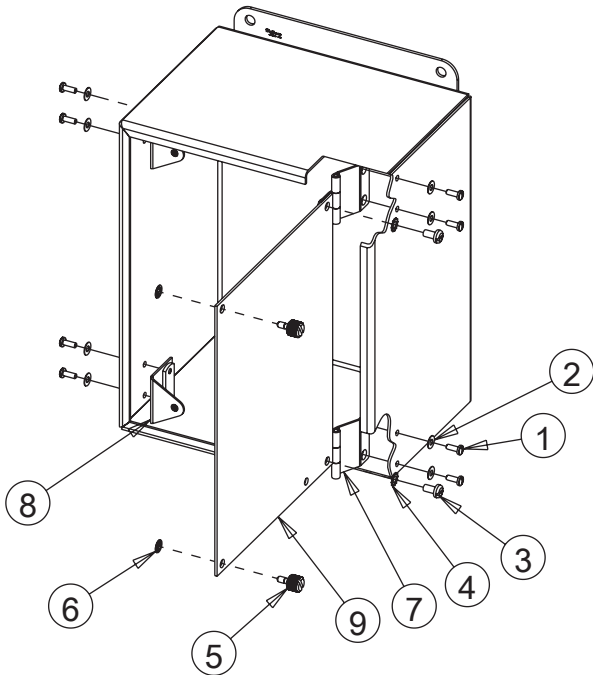
1 #6-32 x .375  (8x)	2  (8x)	3 #10-32 x .375  (2x)
4  (2x)	5 #8-32 x .75  (2x)	6  (2x)
7  (2x)	8  (2x)	9  (0x) Order separately

This accessory maintains UL/CSA Type 12, 4, 4X when installed per these instructions.

This accessory is covered by UL file E61991 and CSA file LR42186.

Installation Steps:

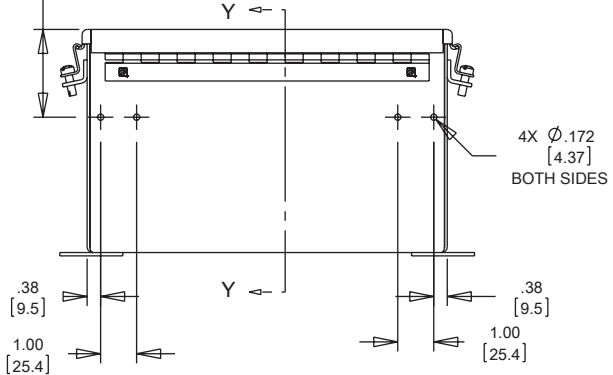
1. Swing panel may be hinged on any side. Determine mounting position desired and drill (8) $\text{\O} .172$ (4mm) holes as shown.
2. Mount hinges (Item 7) and brackets (Item 8) using pan head screws (Item 11) with nylon washers (Item 12) under the screw heads.
3. Mount swing panel to hinges (Item 7) with pan head screws (Item 3) and lockwashers (Item 4). Adjust panel until it swings freely through the door opening.
4. Captivate thumb screws (Item 5) to panel using retaining rings (Item 6) provided.



2.438 (62) MIN. BULLETIN A51CH, A51NF, A51SC, A51LP, A51DR
STYLE "CHQR" ONLY.

2.125 (54) MIN. BULLETIN A3LO, A3M, A3SM
STYLE "HCLO" 16GA. ONLY.

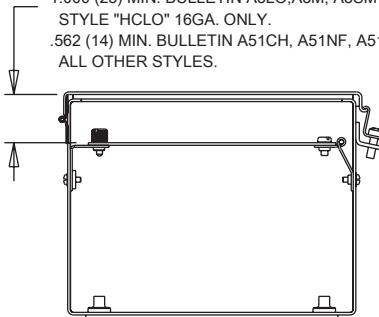
1.688 (43) MIN. BULLETIN A51CH, A51NF, A51SC, A51LP, A51DR
ALL OTHER STYLES.



1.312 (33) MIN. BULLETIN A51CH, A51NF, A51SC, A51LP, A51DR
STYLE "CHQR" ONLY.

1.000 (25) MIN. BULLETIN A3LO, A3M, A3SM
STYLE "HCLO" 16GA. ONLY.

.562 (14) MIN. BULLETIN A51CH, A51NF, A51SC, A51LP, A51DR
ALL OTHER STYLES.



Y-Y