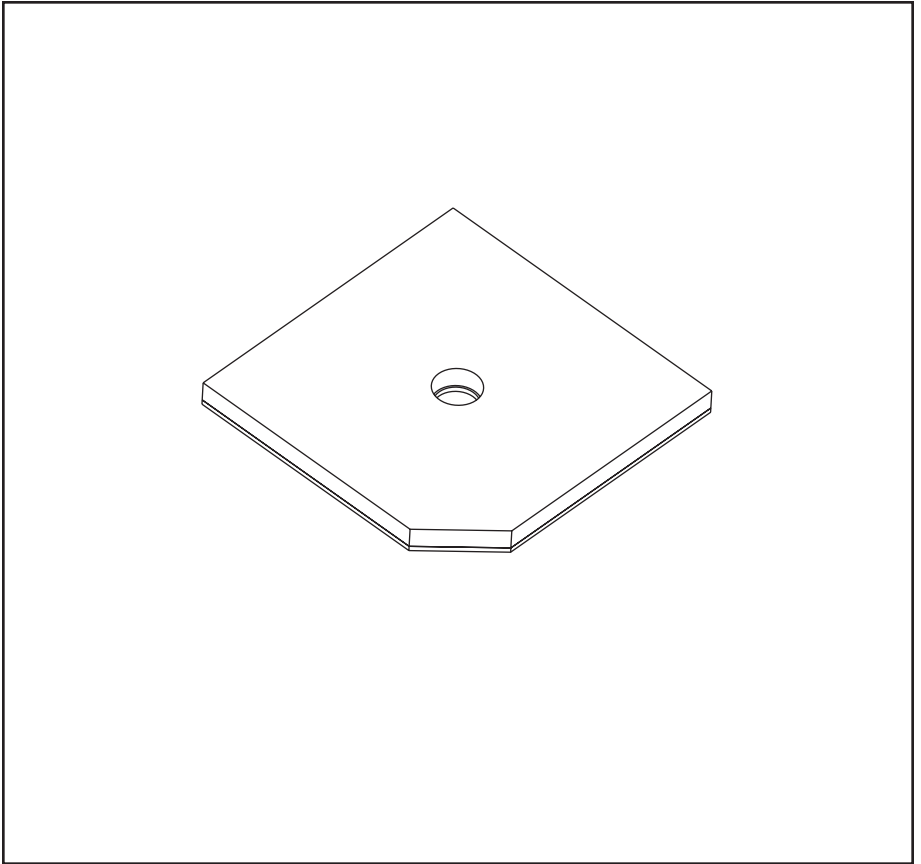
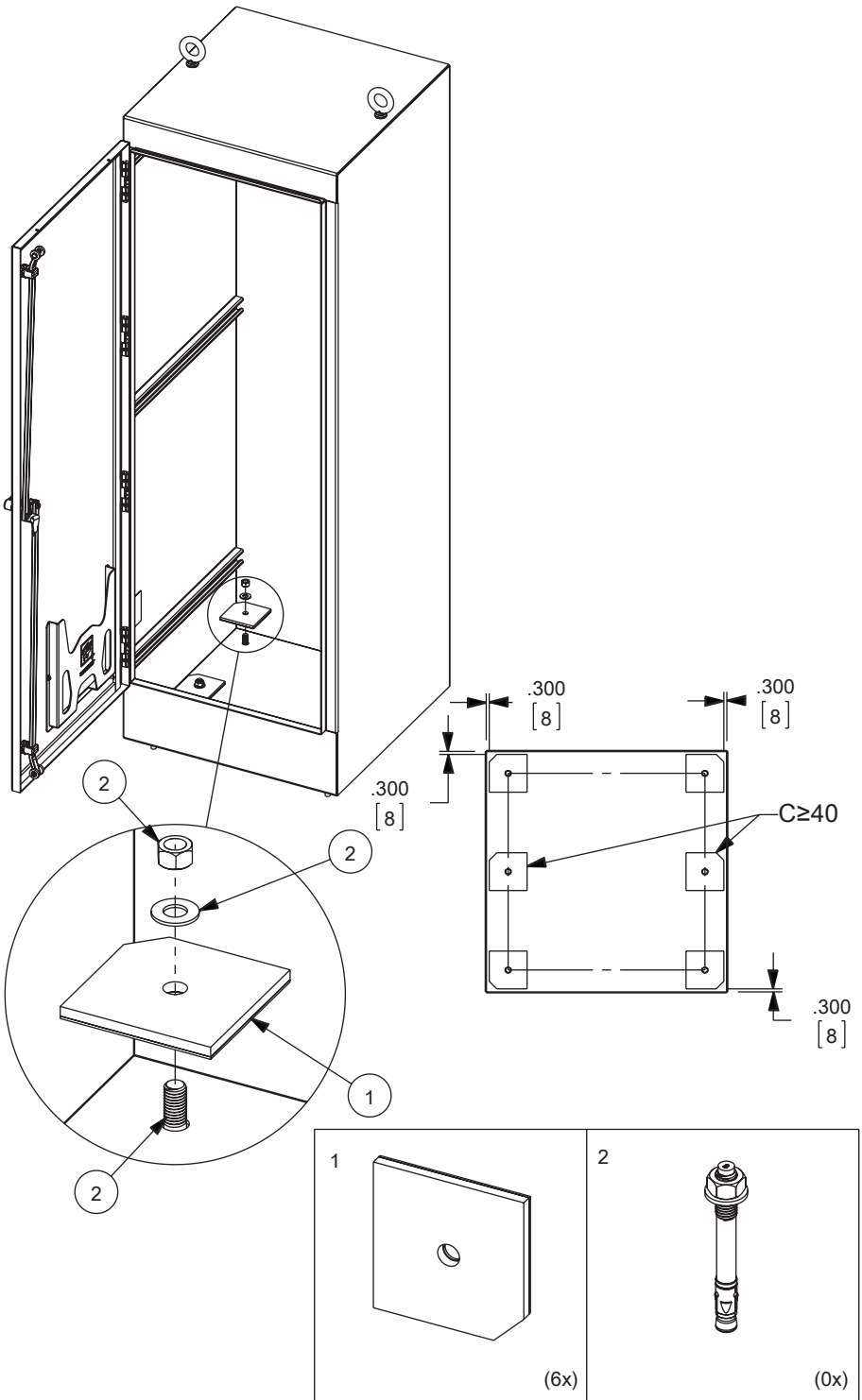





HOFFMAN





 ANCHOR SIZE (IN.)	ØX
1/2	.62 16
5/8	.75 19
3/4	.88 22

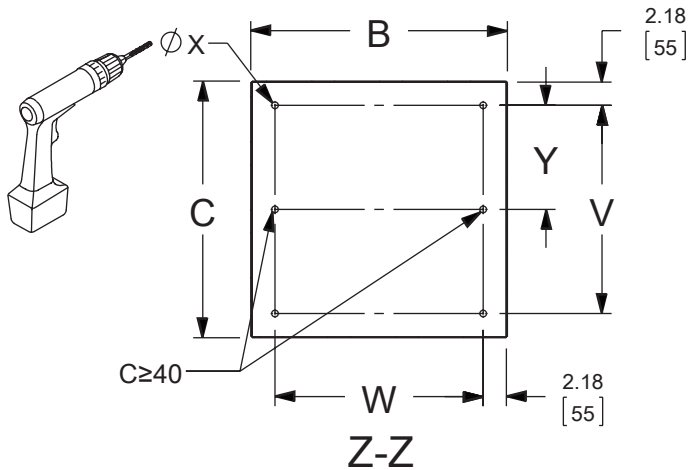
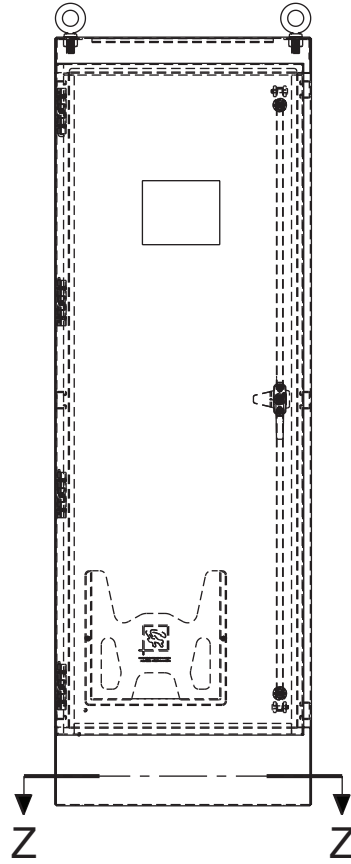
in.
mm

B	W
36.06 916	31.52 801
30.06 764	25.52 648
24.06 611	19.52 496

in.
mm

C	V	Y
46.06 1170	41.52 1055	20.76 527
36.06 916	31.52 801	N/A
30.06 764	25.52 648	N/A
24.06 611	19.52 496	N/A
20.06 510	15.52 394	N/A
18.06 459	13.52 343	N/A

in.
mm





HOFFMAN