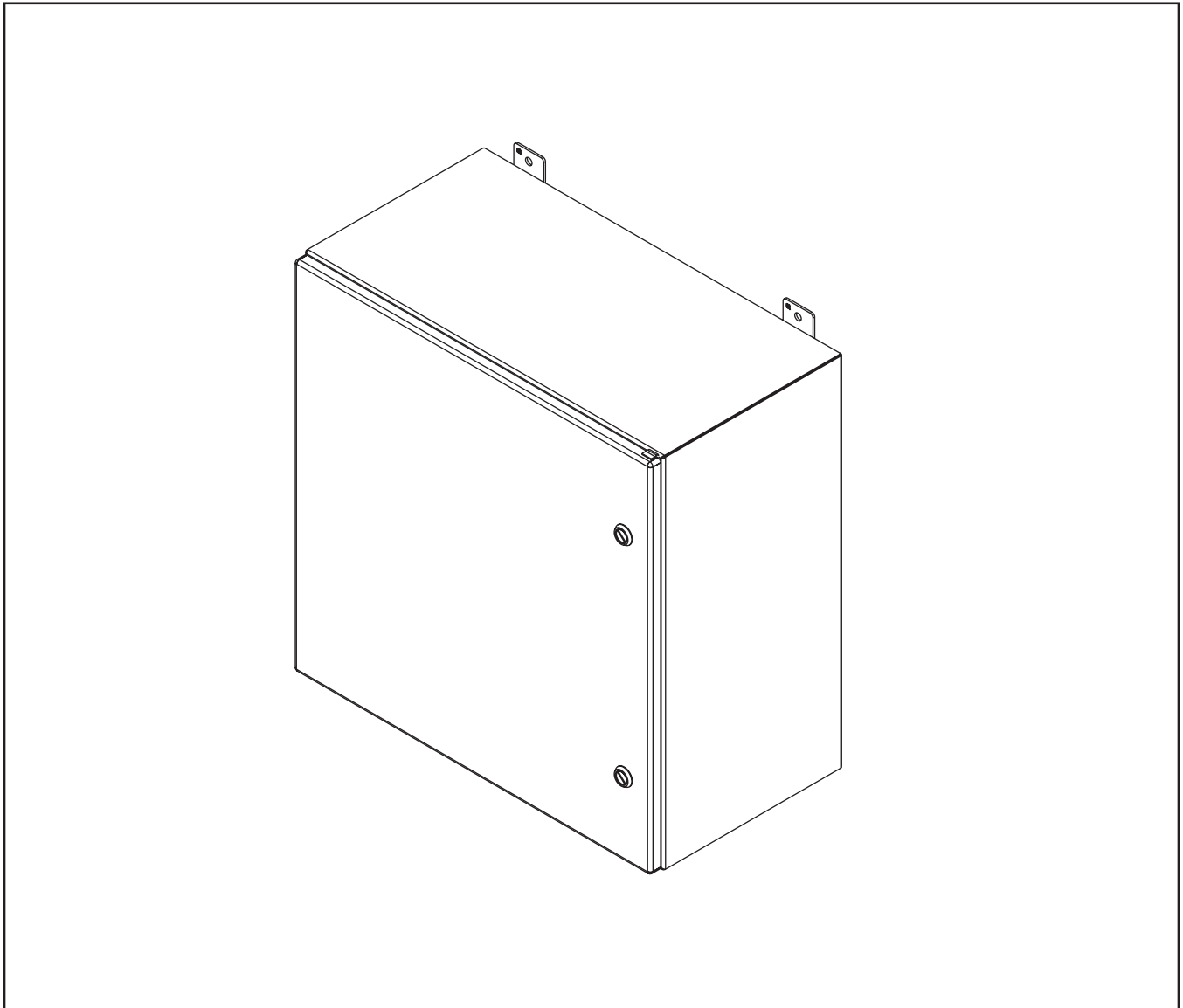
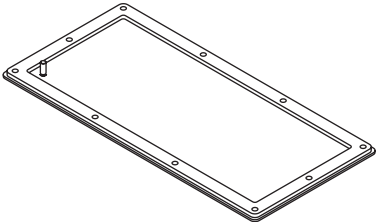
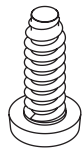


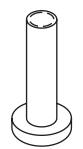
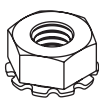
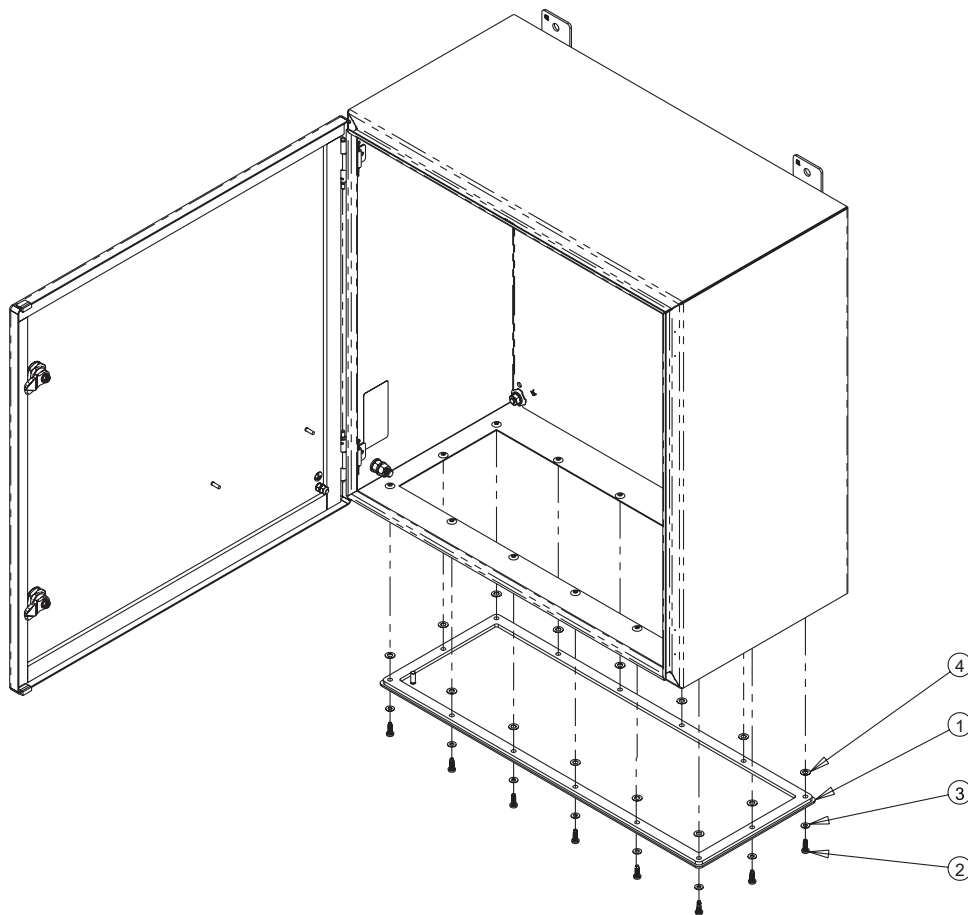


ZonEx



<p>1</p>  <p>1X</p>	<p>2</p> <p>M4.8-1.6 X16mm</p>  <p>6X-14X</p>	
<p>3</p> <p>No. 10</p>  <p>6X-14X</p>	<p>4</p> <p>.25 ID x .50 OD 6 mm x 13 mm</p>  <p>6X-14X</p>	<p>5</p> <p>M4X16</p>  <p>6X-14X</p>
<p>6</p> <p>M4</p>  <p>6X-14X</p>		

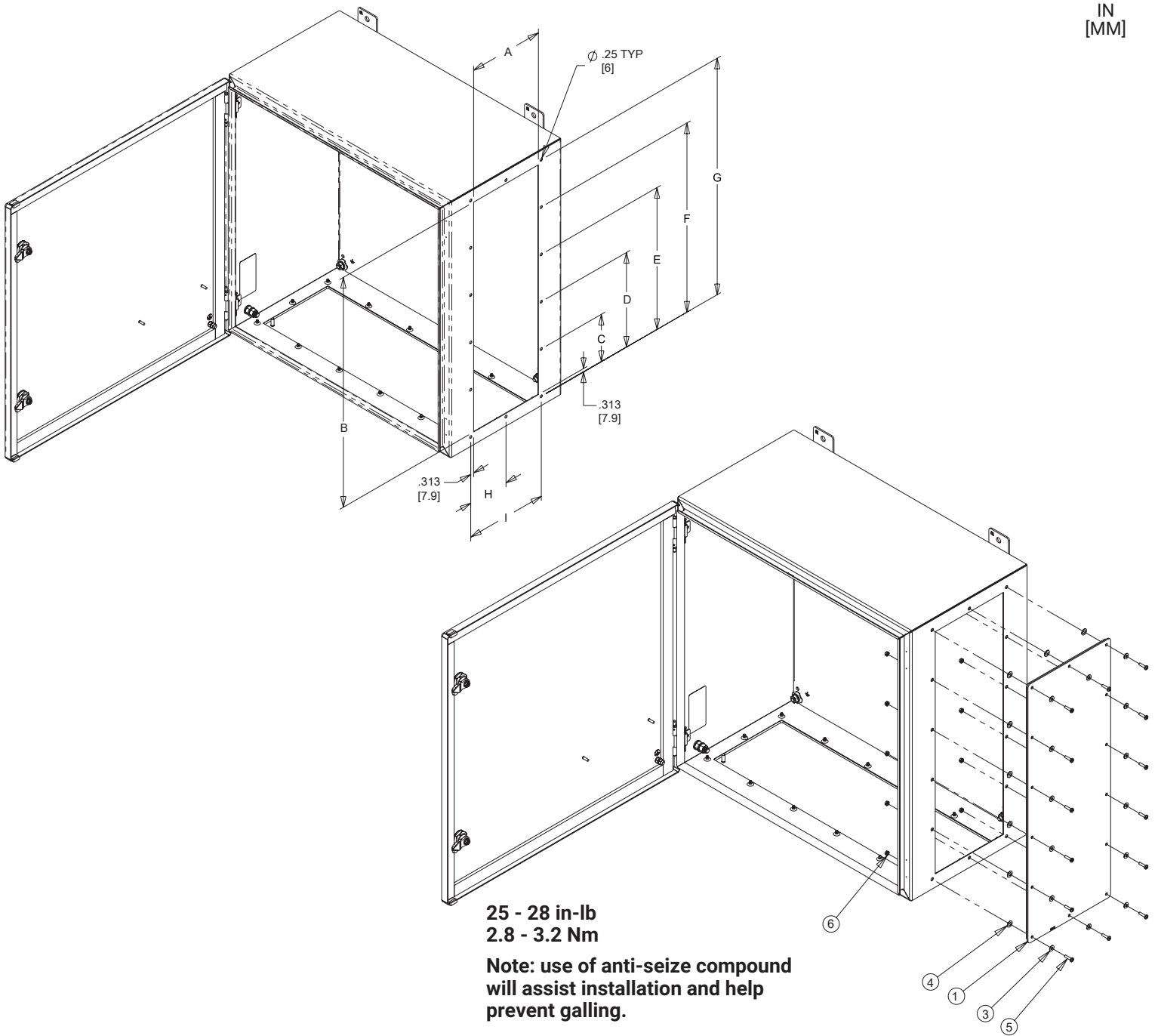




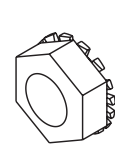
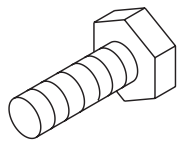

25 - 28 in-lb  
2.8 - 3.2 Nm

**Note: use of anti-seize compound will assist installation and help prevent galling.**

	A	B	C	D	E	F	G	H	I
GP126SS6	3.75 [95]	9.50 [241]	5.063 [129]	10.125 [257]	---	---	---	---	4.375 [111]
GP128SS6	5.75 [146]	9.50 [241]	5.063 [129]	10.125 [257]	---	---	---	3.188 [81]	6.375 [162]
GP166SS6	3.75 [95]	13.50 [343]	4.708 [120]	9.417 [239]	14.125 [359]	---	---	---	4.375 [111]
GP168SS6	5.75 [146]	13.50 [343]	4.708 [120]	9.417 [239]	14.125 [359]	---	---	3.188 [81]	6.375 [162]
GP206SS6	3.75 [95]	17.50 [445]	4.531 [115]	9.063 [230]	13.594 [245]	18.125 [460]	---	---	4.375 [111]
GP208SS6	5.75 [146]	17.50 [445]	4.531 [115]	9.063 [230]	13.594 [245]	18.125 [460]	---	3.188 [81]	6.375 [162]
GP248SS6	5.75 [146]	21.50 [546]	4.425 [112]	8.850 [225]	13.275 [337]	17.700 [450]	22.125 [562]	3.188 [81]	6.375 [162]
GP2412SS6	7.00 [178]	21.50 [546]	4.425 [112]	8.850 [225]	13.275 [337]	17.700 [450]	22.125 [562]	3.813 [97]	7.625 [194]

IN  
[MM]



<p>7</p> <p>M8 X 1.25</p>  <p>4X 8X</p>	<p>8</p> <p>3/8</p>  <p>1X</p>	<p>9</p> <p>M6</p>  <p>6X</p>
<p>10</p> <p>M6 X 16mm</p>  <p>2X</p>	<p>11</p>  <p>2X</p>	

