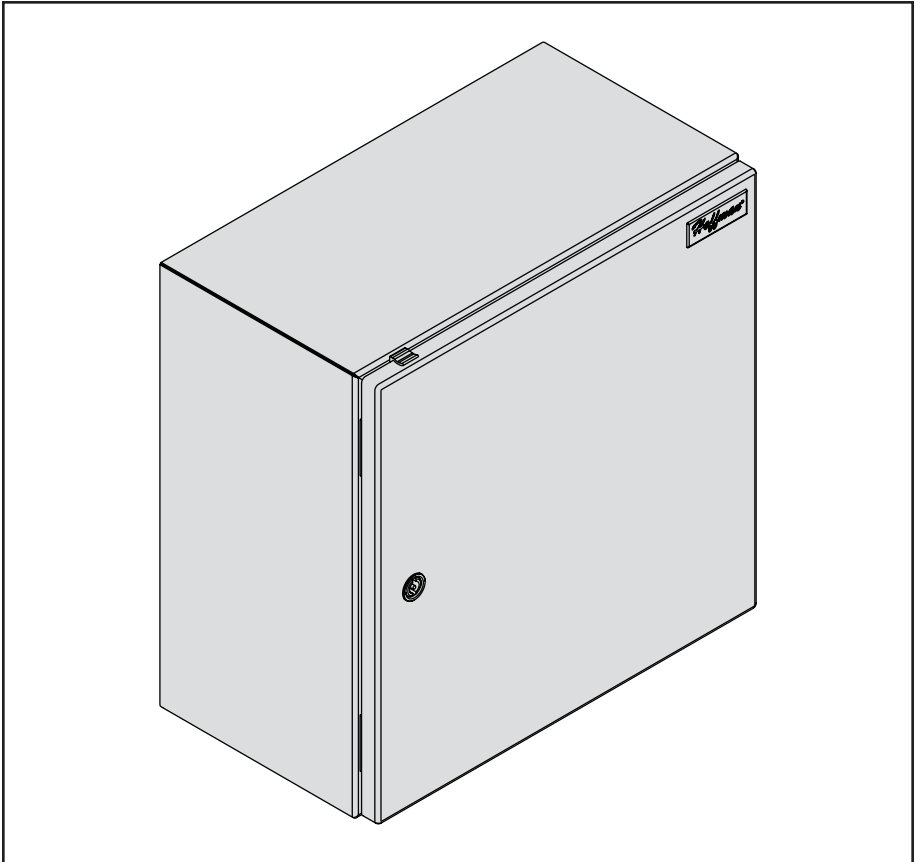
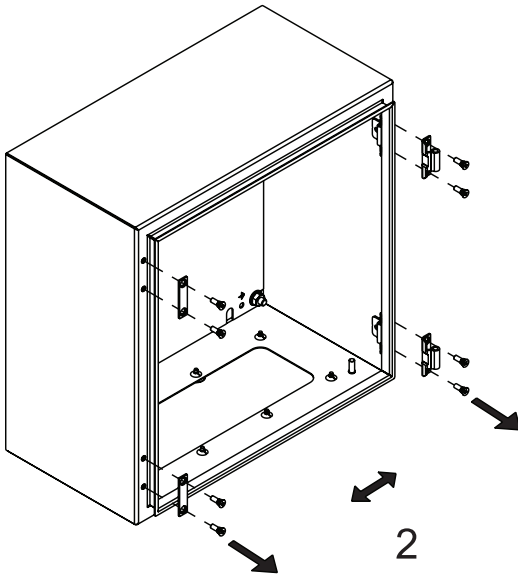
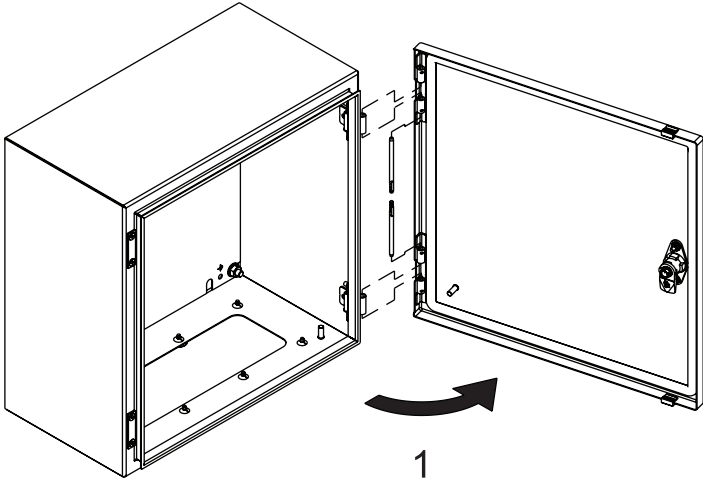
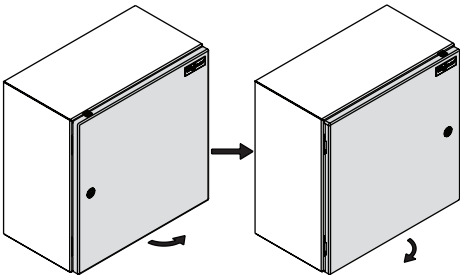
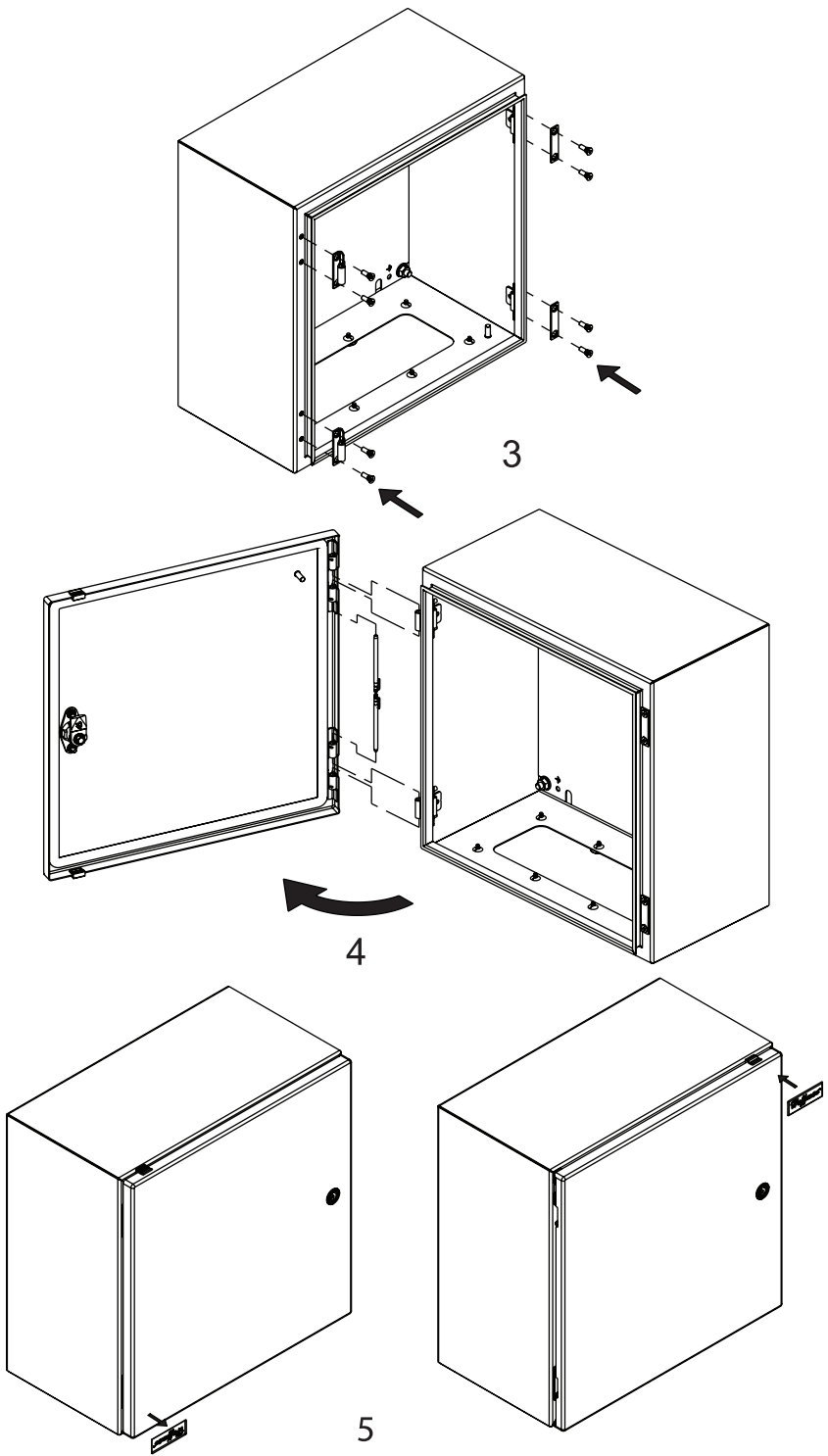


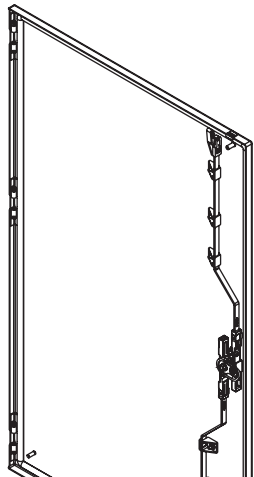
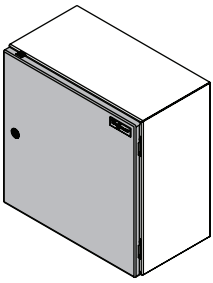


HOFFMAN

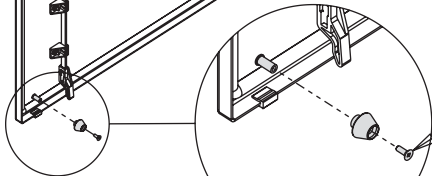
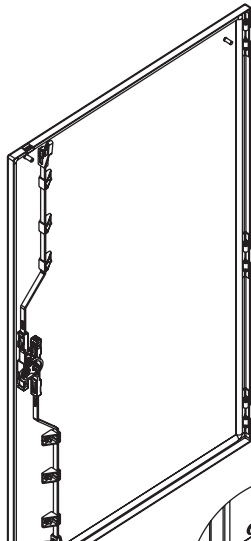
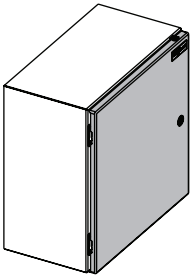
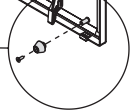
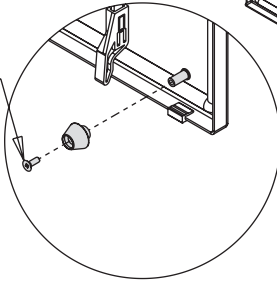




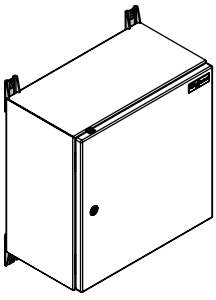



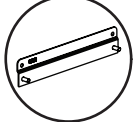


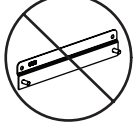




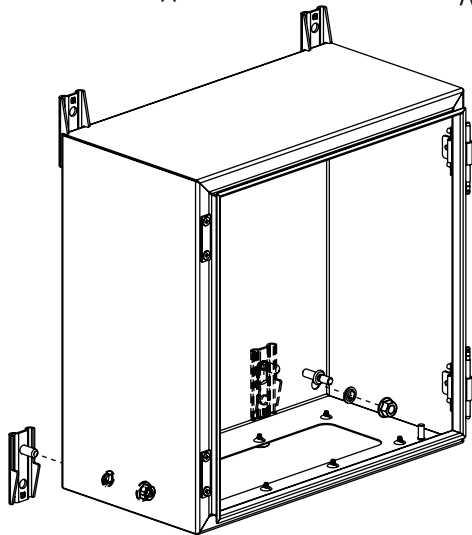
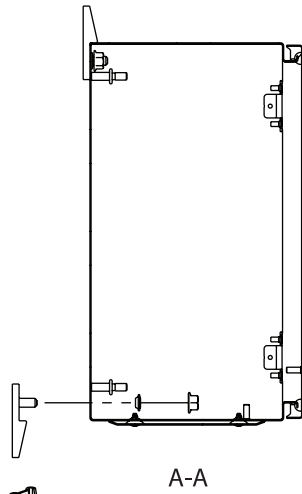
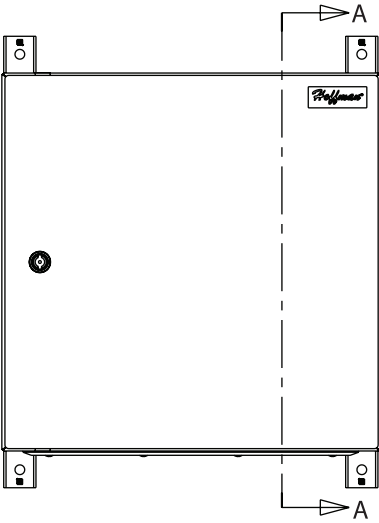
38 IN-LB
(4.3 Nm)

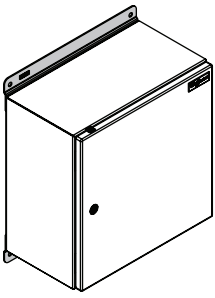



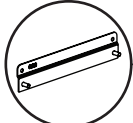


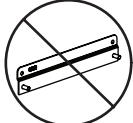


38 IN-LB
(4.3 Nm)

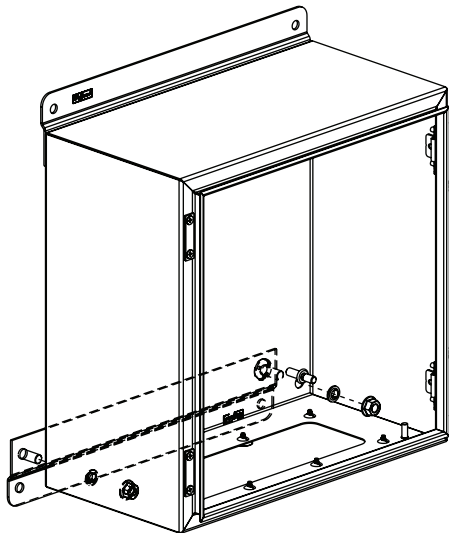
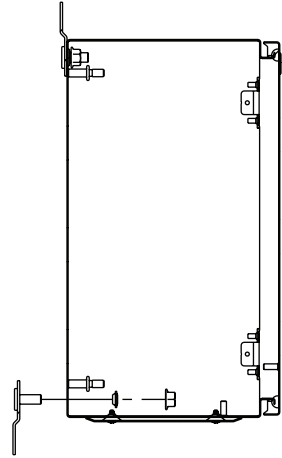
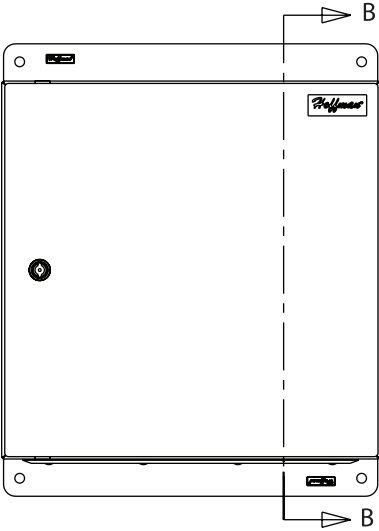


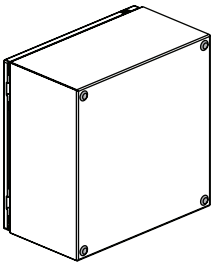
 CMFK CMFKSS CMTGFT GMTBKTMS			→	
			→	




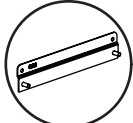




 CMFK CMFKSS CMTGFT GMTBKTMS			→ 
			→ 






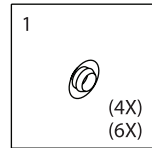
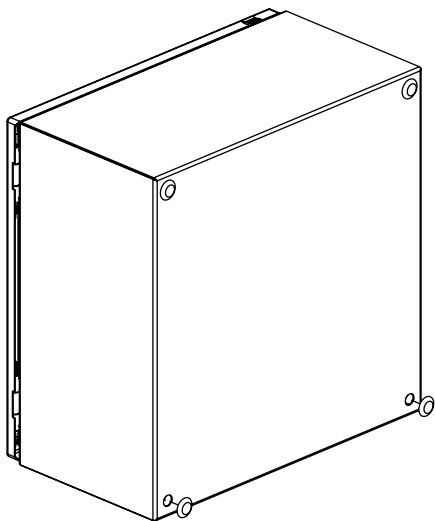
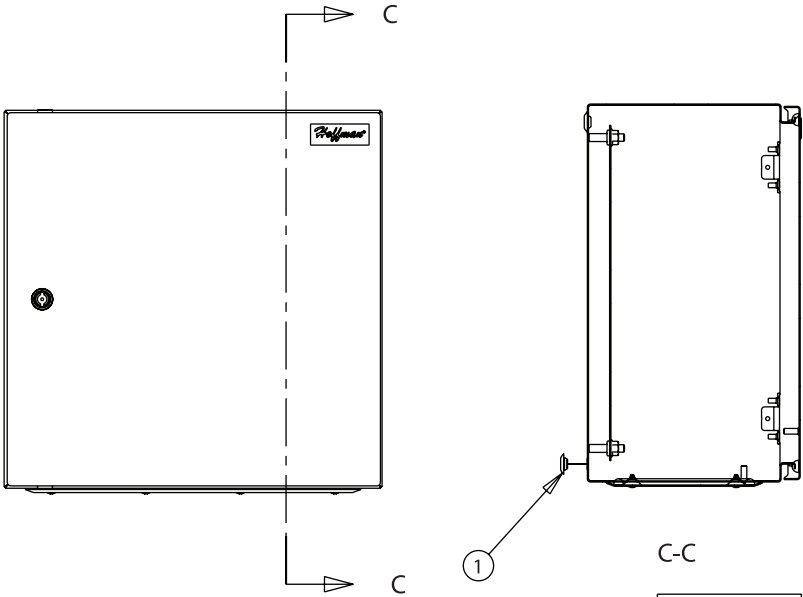


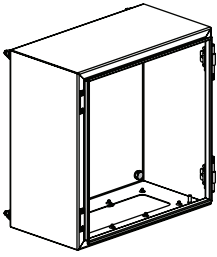



  → 

CMFK
CMFKSS
CMTGFT
GMTBKTMS

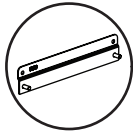
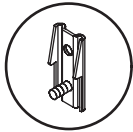

  → 

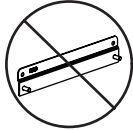







CMFK
CMFKSS
CMTGFT
GMTBKTMS

  → 

  → 