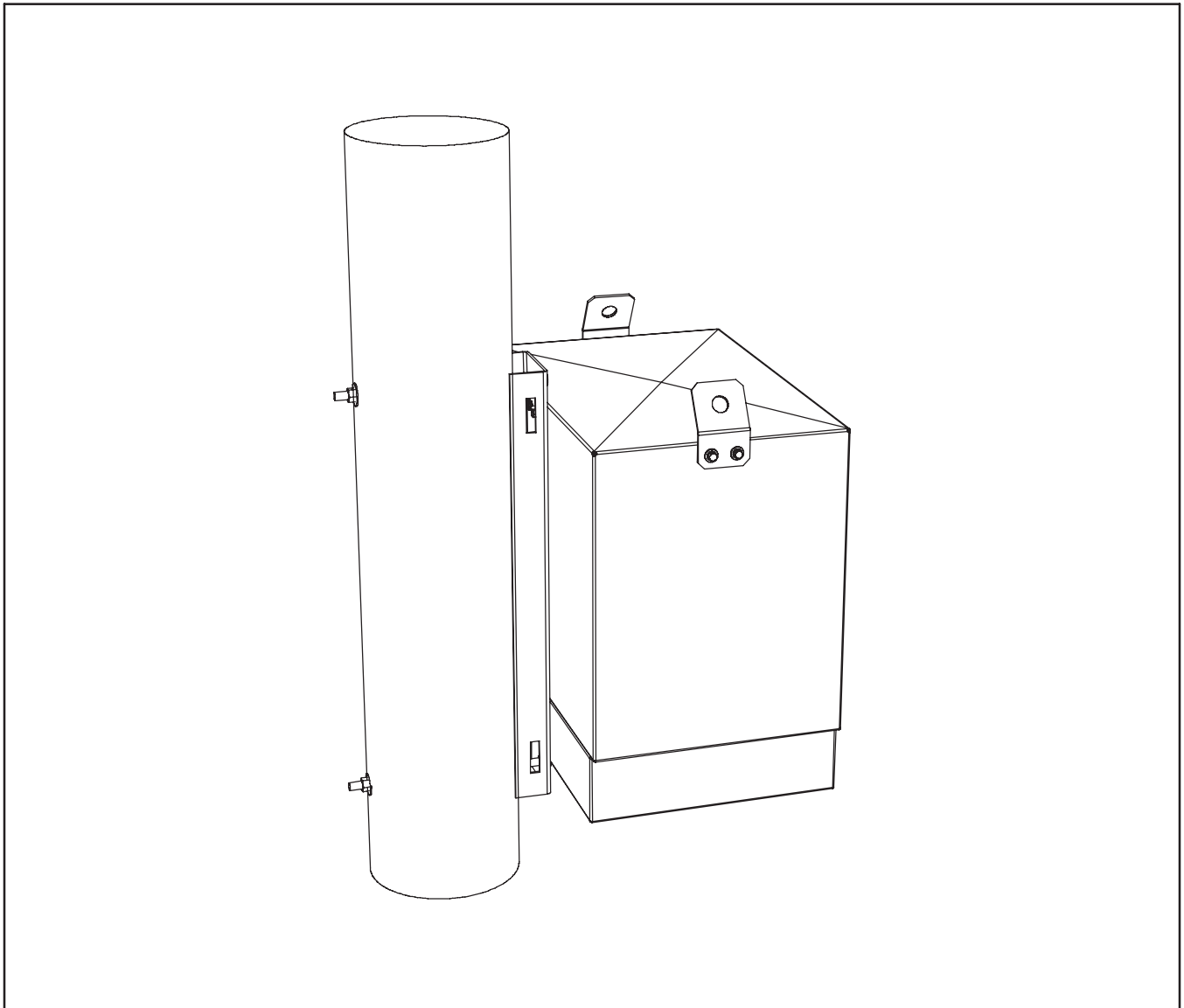
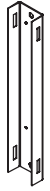
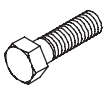



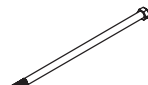





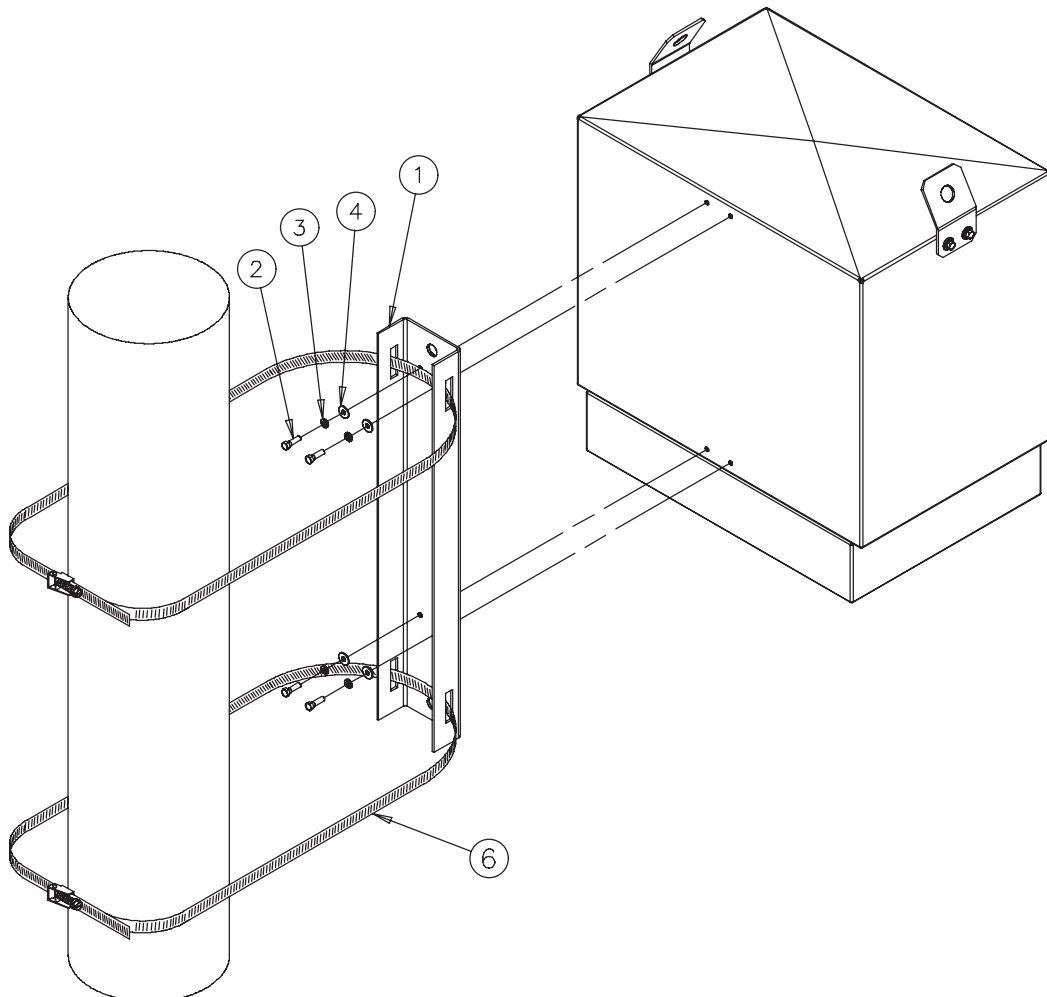
Pole Mounting Kit



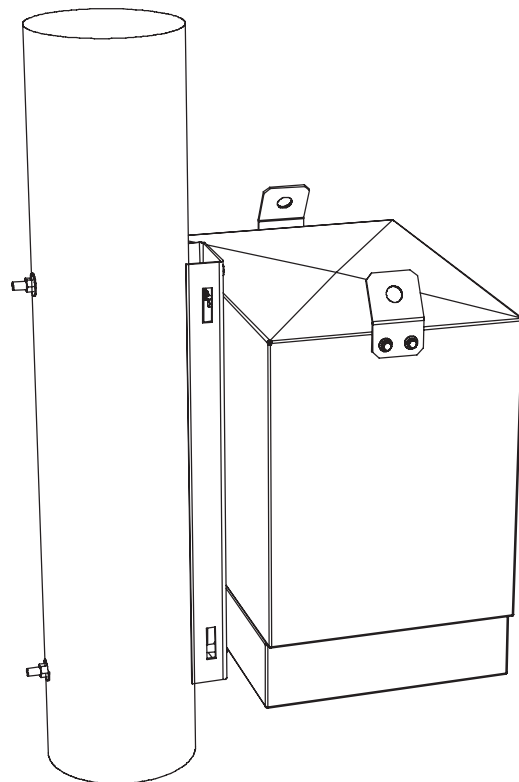
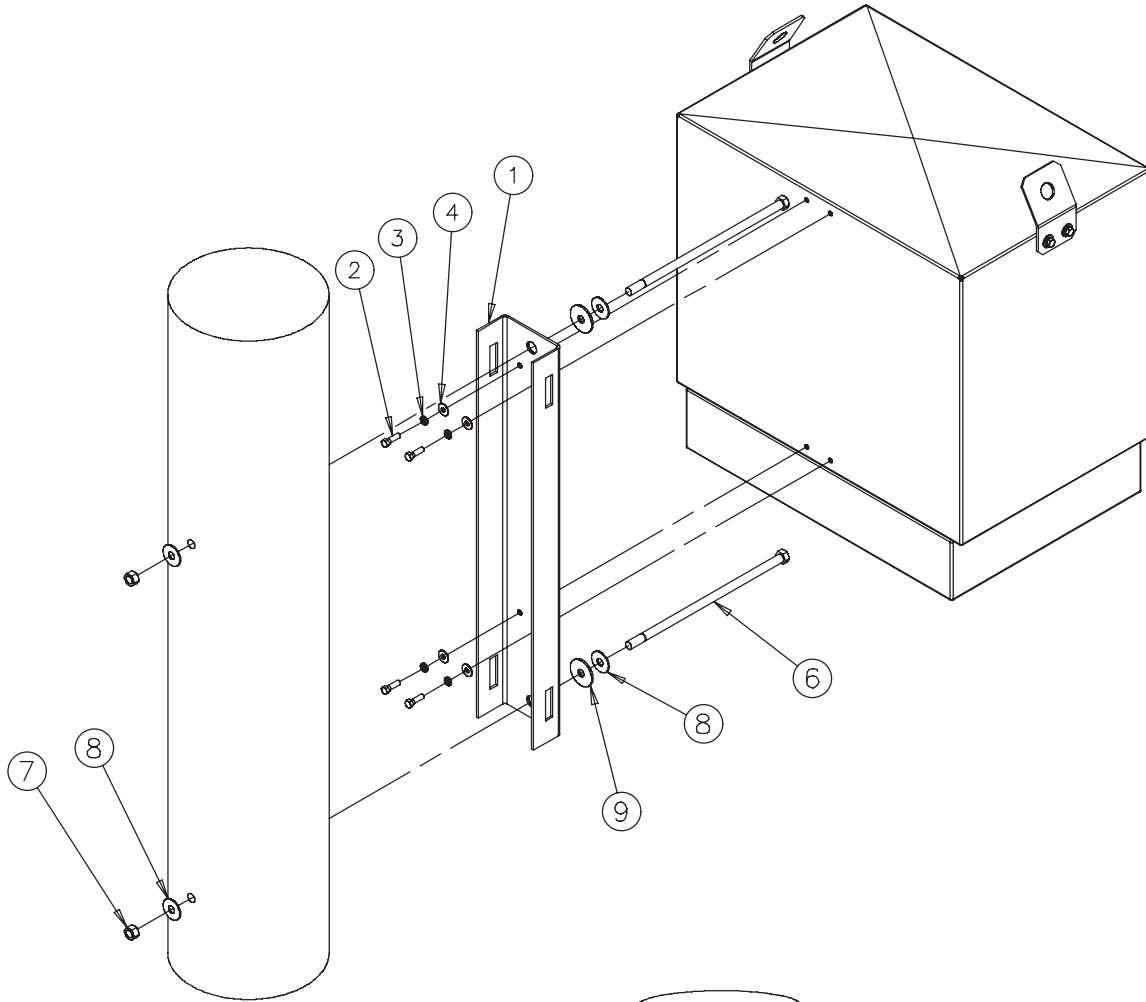
1		2	3/8-16x1 	3	3/8 	4	3/8 
	(1x)		(4x)		(4x)		(4x)

5		6	 5/8 x Pole Dia. + 4.0" Grade 5 Hex-head machine screw	7	5/8 	8	5/8 	9	5/8 
	(1x)		(4x)		(4x)		(4x)		(4x)
Customer Supplied Parts									

Installation on Concrete or Steel Pole



Installation on Wood Pole





HOFFMAN