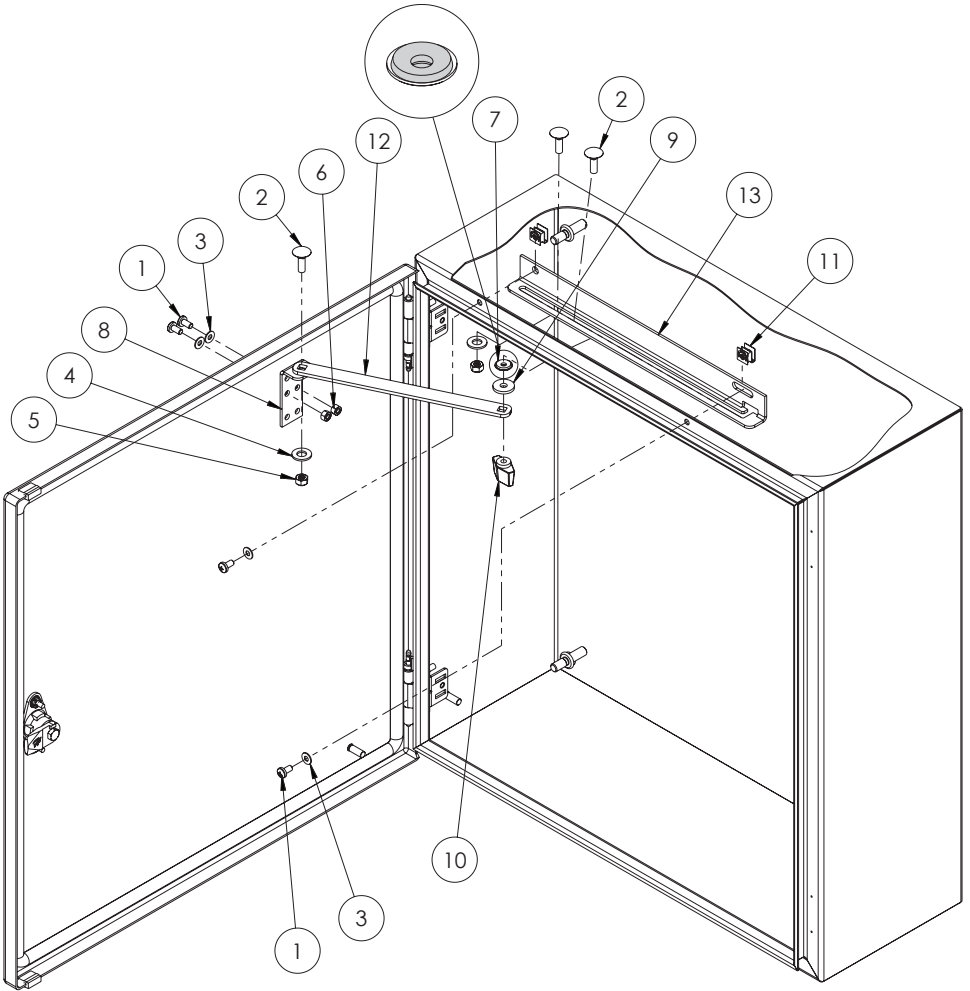


1	M5	2	M6	3	M5	4	M6
	(4X)		(3X)		(4X)		(2X)
5	M6	6	M5	7	M6	8	
	(2X)		(2X)		(1X)		
9		10	M6	11	M5		
	(1X)		(1X)		(2X)		
12				13			
							(1X)

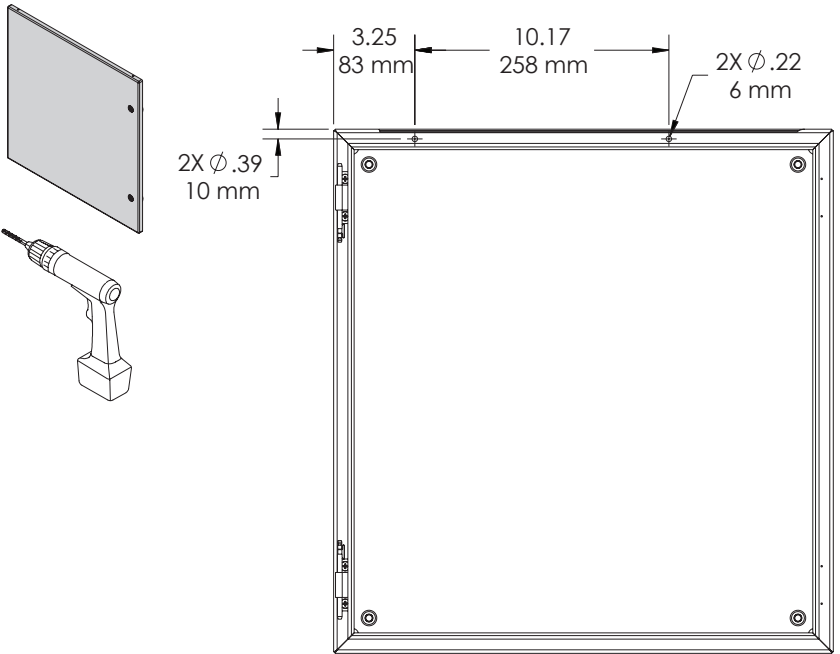
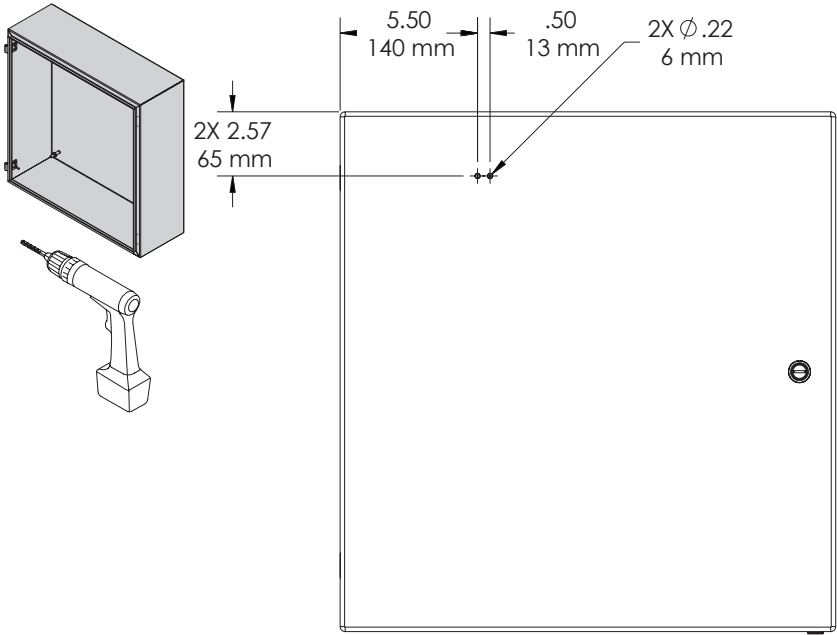
UL/CSA Type 12, 4, 4X

UL file E61997 and CSA file LR42186

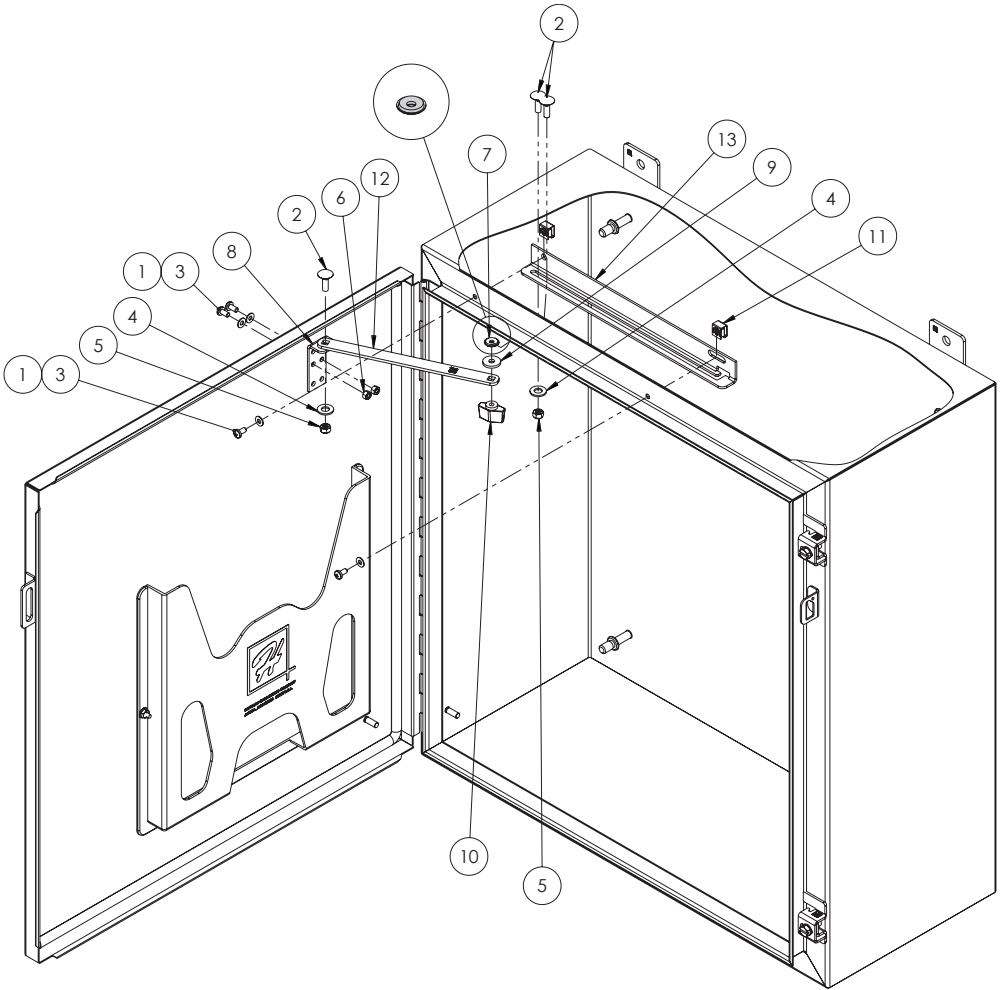
CONCEPT



CONCEPT



NEMA



NEMA

