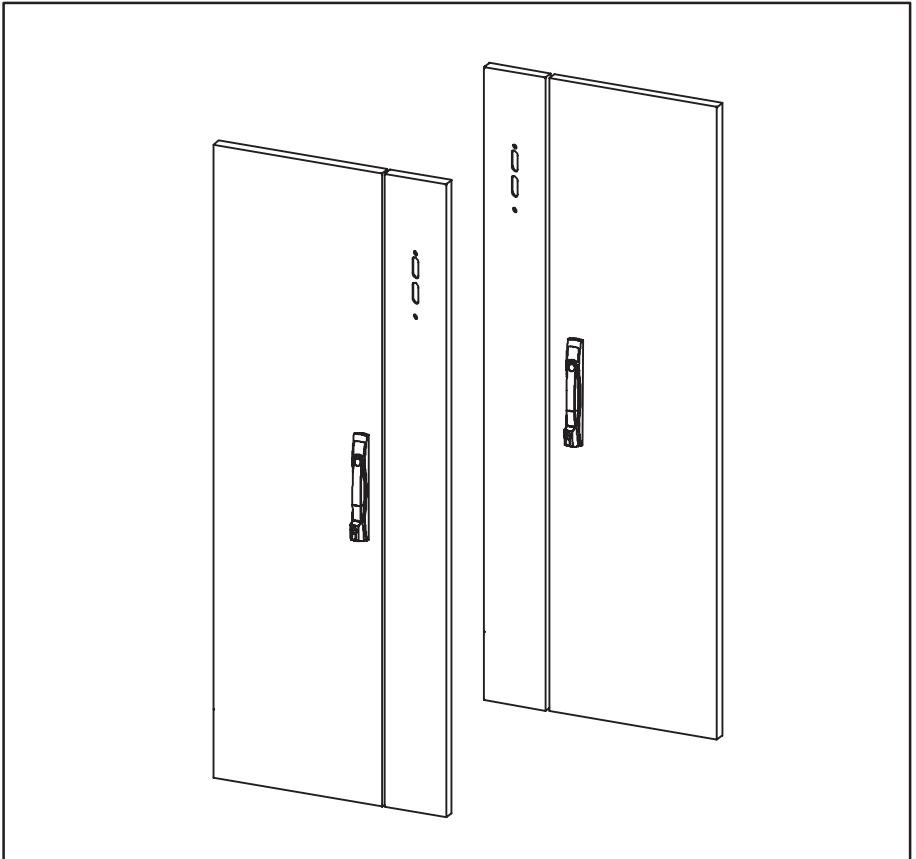
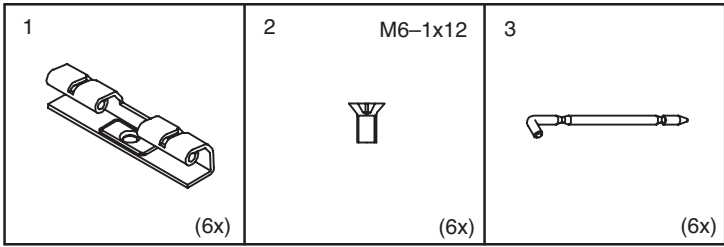




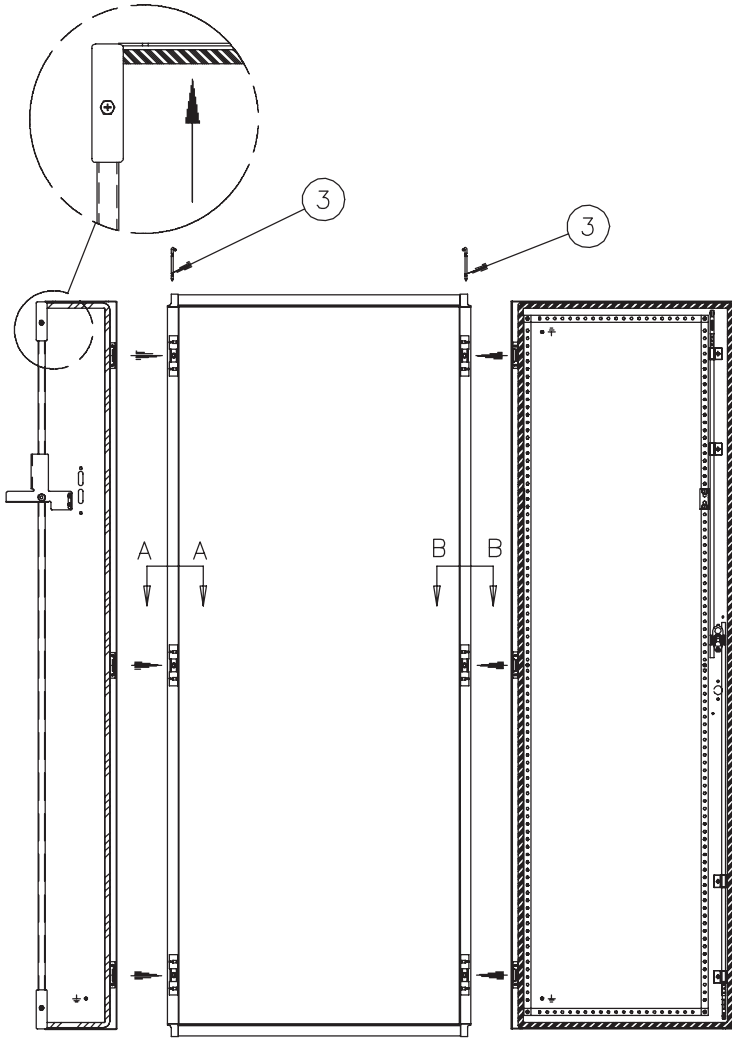
HOFFMAN

PROLINE®
Disconnect Door Installation

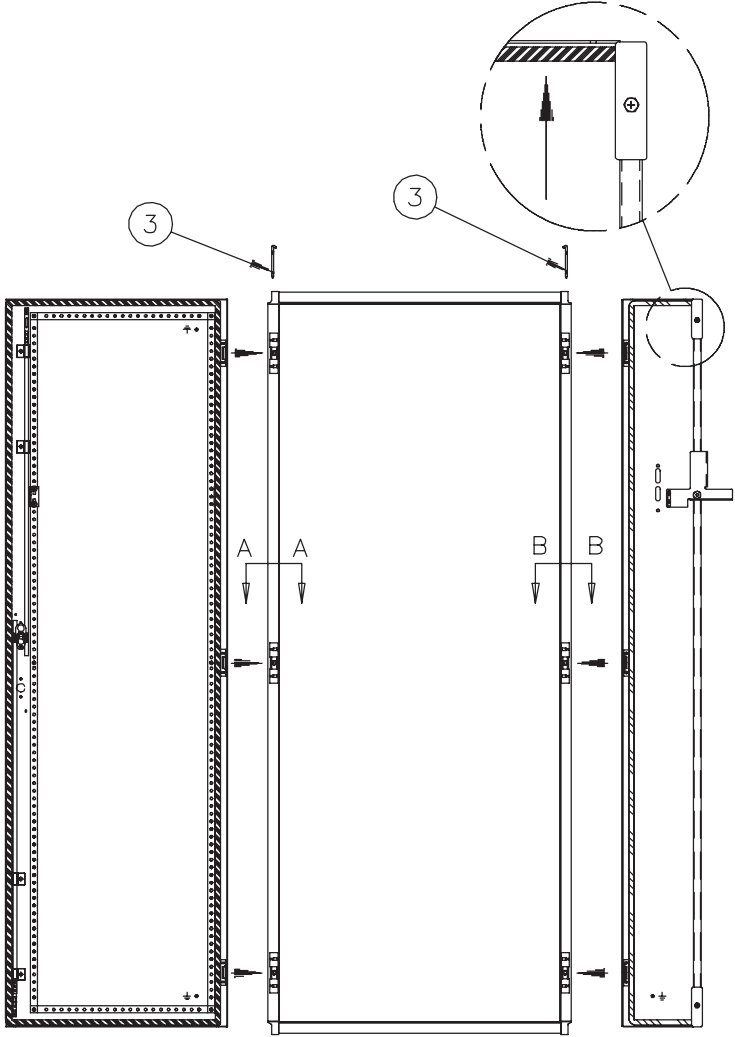
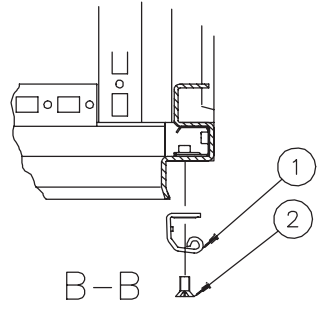
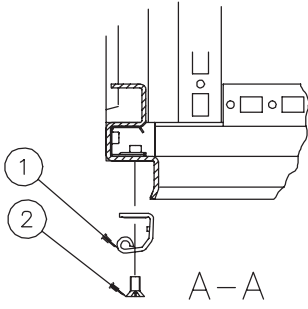




NOTE: To achieve proper alignment of doors, leveling of the enclosure using levers or shims may be required depending on the flatness of the customer's mounting surface.



Left Hand



Right Hand



HOFFMAN