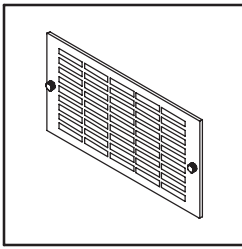


Exhaust Grilles



WARNING

To avoid electric shock, do not energize any circuits before all internal and external electrical and mechanical clearances are checked to assure that all assembled equipment functions safely and properly.

INSTRUCTIONS:

1. Determine the location for the exhaust grille on the enclosure.
2. Make sure that no wires or components are in the way before proceeding.
3. Make the appropriate cutout and mounting holes as shown in figure 1.
4. Install the exhaust grille as shown in figure 2.

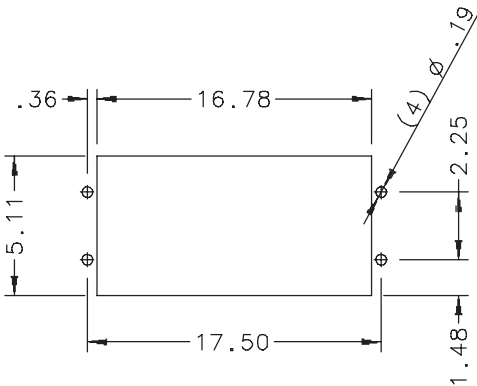


Figure 1
Cutout

Note: The AEXGR275 grille can be used on standard 19 inch relay racks.

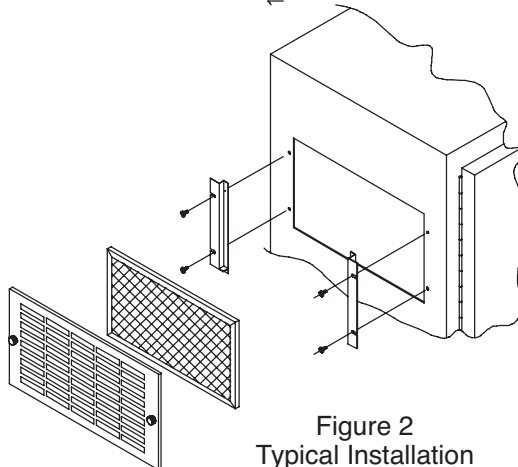


Figure 2
Typical Installation